

sames  kremlin



Nanogun+ Airspray with coil

Options for Automotive Industry

Instruction manual

DRT7111

E - 2022/11

Sames

13, Chemin de Malacher - 38240 MEYLAN - FRANCE
Tel. 33 (0)4 76 41 60 60

All communication or reproduction of this document, in any form whatsoever and all use or communication of its contents are forbidden without express written authorisation from **Sames**.

The descriptions and characteristics mentioned in this document are subject to change without prior notice

© Sames 2015 - translation of the original version

Sames operating manuals are written in French and translated into English, German, Spanish, Italian and Portuguese. The French version is deemed the official text and **Sames** will not be liable for the translations into other languages.

Services



Certification and referencing

Sames is certified as a training center by the DIRRECTE of the Auvergne Rhône Alpes region under the number 84 38 06768 38.

Our company provides, throughout the year, training courses allowing you to acquire the essential know-how for the implementation and maintenance of your equipment in order to guarantee its performance in the long term.

A catalog is available on request.

www.sames.com/france/fr/services-training.html



Line audits

As part of a technical assistance program for our customers using **Sames** equipment, the line audits are intended to help you optimize and control your production tool.

Our network of experts is continuously trained and qualified to provide our customers with technical expertise on the liquid or powder installations in which our equipment is integrated. The global environment of the production lines is taken into account during this technical audit.

A brochure is available for download:

www.sames.com/france/fr/services-service-contract.html



Maintenance program

An annual maintenance program (including or not the consumables to be replaced during each intervention) can be considered with the partnership of **Sames**. It is associated with a preventive maintenance plan established during a first audit visit which details the control points necessary to guarantee the performance of the installed equipment.

www.sames.com/france/fr/services-service-contract.html



Hotline

www.sames.com/france/fr/services-service-contract.html

Nanogun+ Airspray with coil

1. Precautions for use -----	5
2. Spare Parts -----	5
2.1. Coils options for metallic paints	5
2.1.1. Nanogun+ Airspray HR fan spray with coil Ø 6/8	6
2.1.2. Nanogun+ Airspray HR round spray with coil Ø 6/8.....	7
2.1.3. Nanogun+ Airspray HR fan spray with mini coil Ø 3/5.....	8
2.1.4. Nanogun+ Airspray HR round spray with mini coil Ø 3/5.....	9
2.2. Nanogun+ Airspray HR with coil	10
2.2.1. Equipped coil Ø 6/8 for Nanogun+ Airspray.....	12
2.2.2. Equipped mini coil Ø 3/5 for Nanogun+ Airspray.....	13
2.3. Lockable lateral air tape	14
2.4. Quick fitting for paint hose	15
2.5. Paint return	16
2.6. Paint regulator / Return	17
3. Revision index History -----	18

1. Precautions for use



This DRT7111 user manual is inseparable of the DRT7105 user manual of Nanogun+ Airspray.

2. Spare Parts

The spare parts are classified in 2 different types:

- **1st emergency parts:**

The 1st emergency parts are strategic components which are not necessarily consumables but which in case of failure prohibit the operation of the equipment.

Depending on the production line's commitment and the production rates imposed, the first emergency parts are not necessarily kept available in the customer's stock.

Indeed, if an interruption of the production flow is possible, storage is not necessary.

On the other hand, if the stop is not possible, the 1st emergency parts will be kept in stock.

- **Wearing parts:**

Wearing parts are consumable components such as O-rings that undergo regular degradation over time during normal operation of the installation. It is therefore advisable to replace them according to a defined frequency and adapted to the operating time of the installation.

The wearing parts must therefore be kept in the customer's stock.



To guarantee an optimal assembly, spare parts must be stored in a temperature close to their temperature of use. Should the opposite occur, a sufficient waiting time must be observed before the installation, so that all the elements are assembled in the same temperature.

2.1. Coils options for metallic paints

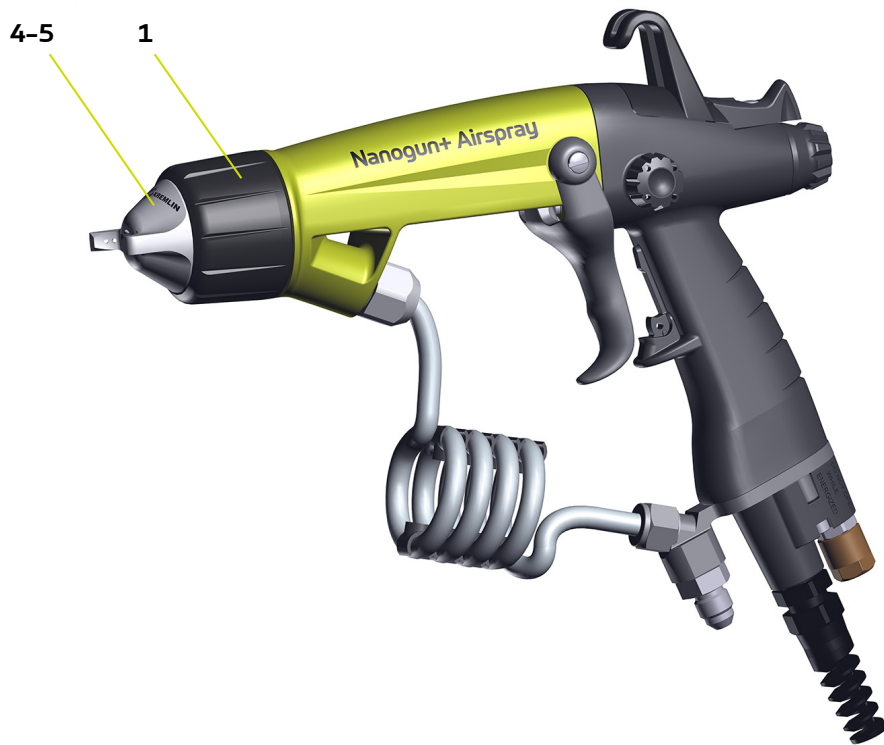


The coil is used only with a product the resistivity of which is superior to 10 MΩ.cm.

This option is more particularly adapted to the spraying of metallic products, basic performances of the spray gun, in particular, flow, efficiency on deposit and sharpness of spraying remain unchanged ([see DRT7105](#)).

The coil can be installed in first in factory or by dispensation by a subsidiary.

2.1.1. Nanogun+ Airspray HR fan spray with coil Ø 6/8



Item	Part number	Description	Qty	Unit of sale	Spare Part Level (*)
	910020035	Nanogun+ Airspray HR fan spray with coil Ø 6/8	1	1	-
1	910015921	Air cap ring	1	1	1
4	900009014	High efficiency air cap	1	1	1
5	1406402	SP nozzle assembly	1	1	1
	-	Nanogun+ Airspray HR with coil (see § 2.2 page 10)	-	-	-

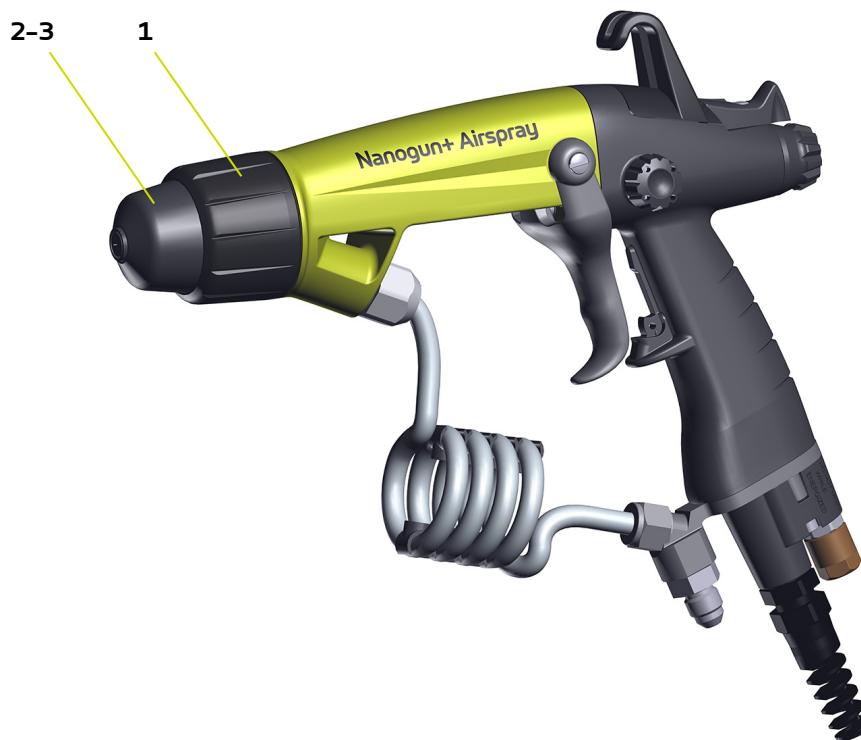
(*)

Level 1: 1st emergency parts

Level 2: Wearing parts

Note: the 4-finger trigger option is not operational with the Ø 6/8 coil.

2.1.2. Nanogun+ Airspray HR round spray with coil Ø 6/8



Item	Part number	Description	Qty	Unit of sale	Spare Part Level (*)
	910034812	Nanogun+ Airspray HR round spray Ø 6 with coil Ø 6/8	1	1	-
	910022359	Nanogun+ Airspray HR round spray Ø 8 with coil Ø 6/8	1	1	-
	910034813	Nanogun+ Airspray HR round spray Ø 12 with coil Ø 6/8	1	1	-
1	910015921	Air cap ring	1	1	1
	910018322	Round spray nozzle Ø 6	1	1	1
2	910003847	Round spray nozzle Ø 8	1	1	1
	910003920	Round spray nozzle Ø 12	1	1	1
	900011365	Super vortex cap Ø 6	1	1	1
3	900010503	Super vortex cap Ø 8	1	1	1
	900010504	Super vortex cap Ø 12	1	1	1
-	-	Nanogun+ Airspray HR with coil (see § 2.2 page 10)	-	-	-

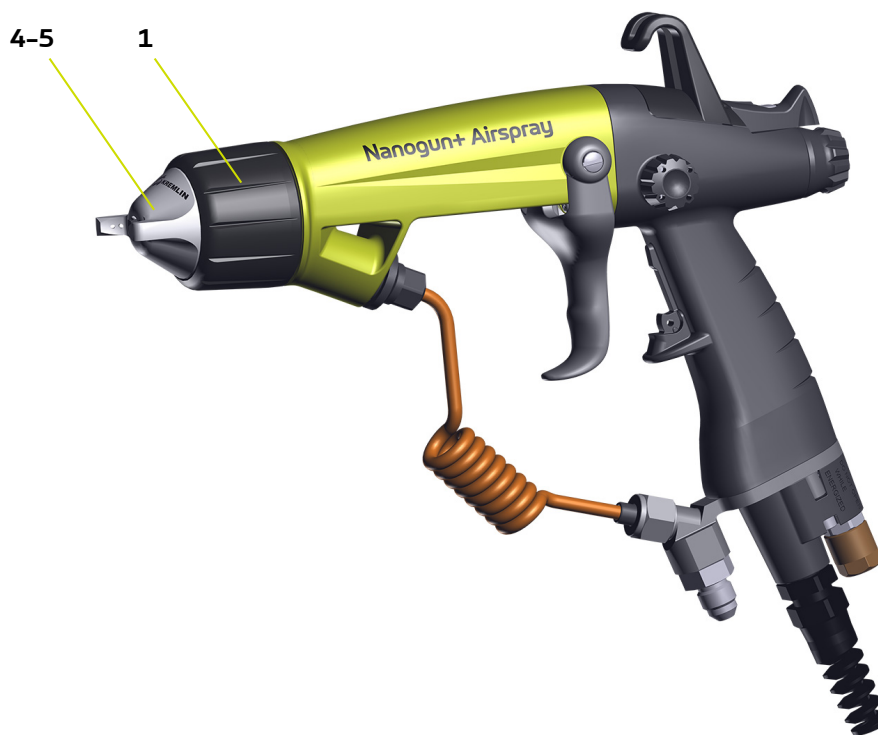
(*)

Level 1: 1st emergency parts

Level 2: Wearing parts

Note: the 4-finger trigger option is not operational with the Ø 6/8 coil.

2.1.3. Nanogun+ Airspray HR fan spray with mini coil Ø 3/5



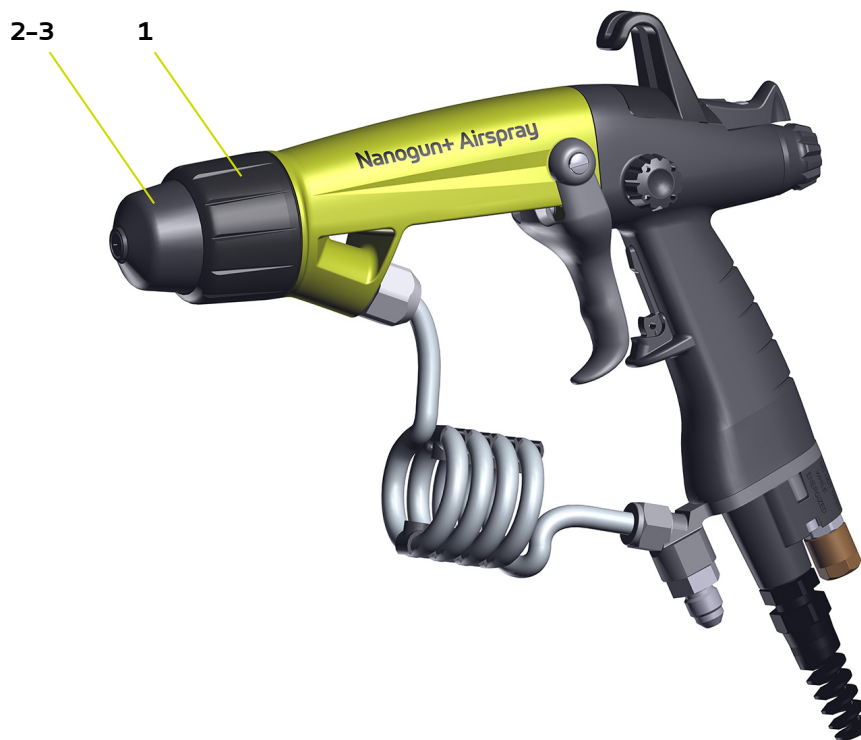
Item	Part number	Description	Qty	Unit of sale	Spare Part Level (*)
	910034180	Nanogun+ Airspray HR fan spray with mini coil Ø 3/5	1	1	-
1	910015921	Air cap ring	1	1	1
4	900009014	High efficiency air cap	1	1	1
5	1406402	SP nozzle assembly	1	1	1
	-	Nanogun+ Airspray HR with coil (see § 2.2 page 10)	-	-	-

(*)

Level 1: 1st emergency parts

Level 2: Wearing parts

2.1.4. Nanogun+ Airspray HR round spray with mini coil Ø 3/5



Item	Part number	Description	Qty	Unit of sale	Spare Part Level (*)
	910034814	Nanogun+ Airspray HR round spray Ø 6 with mini coil Ø 3/5	1	1	-
	910034815	Nanogun+ Airspray HR round spray Ø 8 with mini coil Ø 3/5	1	1	-
	910034816	Nanogun+ Airspray HR round spray Ø 12 with mini coil Ø 3/5	1	1	-
1	910015921	Air cap ring	1	1	1
	910018322	Round spray nozzle Ø 6	1	1	1
2	910003847	Round spray nozzle Ø 8	1	1	1
	910003920	Round spray nozzle Ø 12	1	1	1
	900011365	Super vortex cap Ø 6	1	1	1
3	900010503	Super vortex cap Ø 8	1	1	1
	900010504	Super vortex cap Ø 12	1	1	1
	-	Nanogun+ Airspray HR with coil (see § 2.2 page 10)	-	-	-

(*)

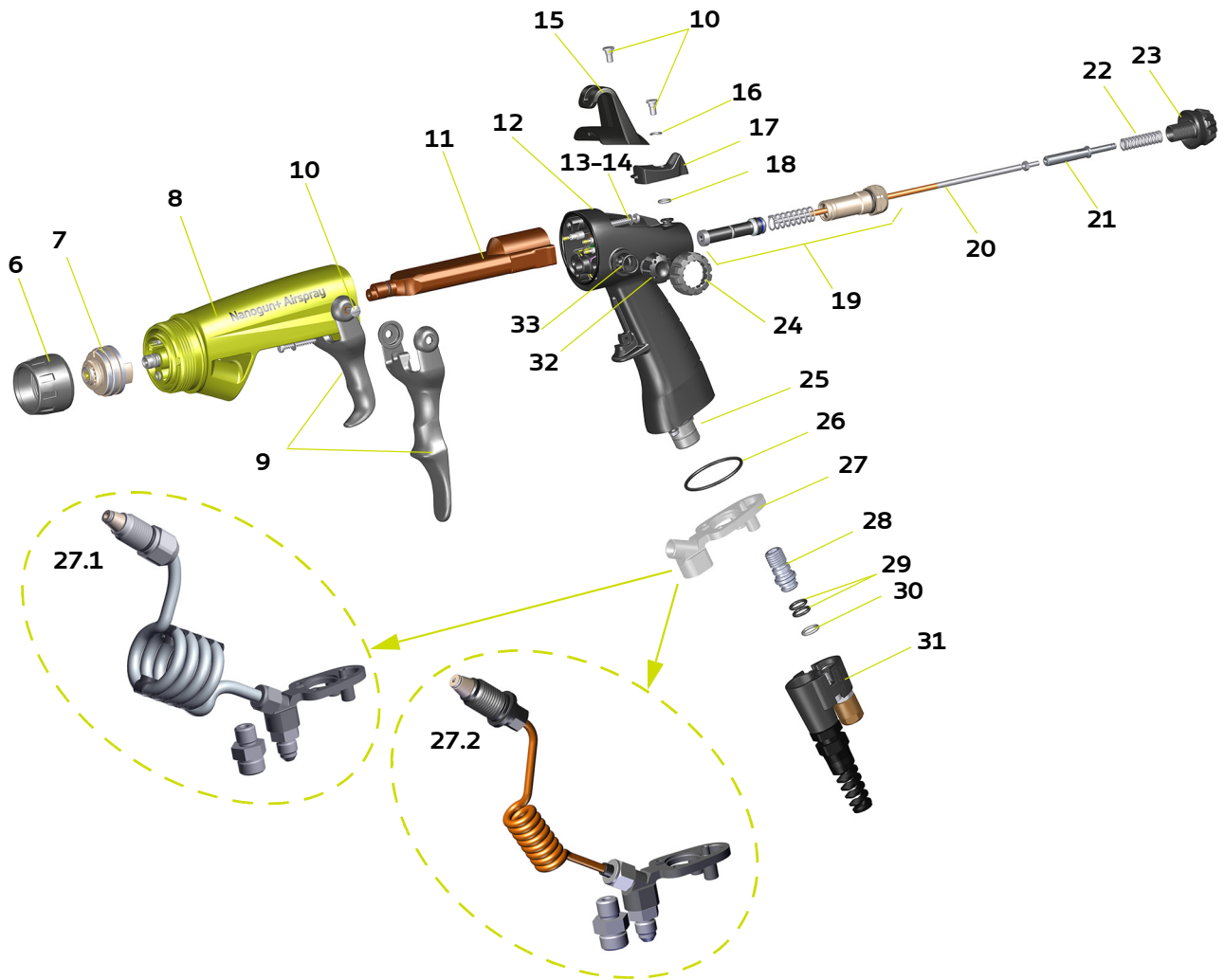
Level 1: 1st emergency parts

Level 2: Wearing parts

2.2. Nanogun+ Airspray HR with coil



For any maintenance operations ([see DRT7105](#)).



Item	Part number	Description	Qty	Unit of sale	Spare Part Level (*)
	-	Nanogun+ Airspray spray gun with coil	-	-	-
6	900000320	Ecrou support de Nozzle nut	1	1	1
7	910015721	Nozzle support (see § 8.8 page 65 DRT7105)	1	1	1-2
8	910018202	Equipped barrel (see § 8.5 page 63 DRT7105)	1	1	-
9	900010237	Trigger	1	1	-
	900014446	4-finger trigger	option	1	-
10	900010385	Shouldered C M4 screw	4	1	-
11	910015508	High voltage unit	1	1	1
	J2FTDF082	O-ring	1	1	-
12	910015944	Nanogun+ Airspray equipped handle	1	1	-
13	250000036	Screw securing handle/barrel	4	1	-
14	J4BRND039	Fibre seal for securing screw	6	1	-
15	900010239	Fixing hook	1	1	-
16	900013808	PTFE flat washer	1	1	-
17	910018204	ON/OFF button with magnet and o-ring (included in item 12)	1	1	-
18	J3STKL005	Chemically inert o-ring (included in item 17)	1	1	-
19	-	Air valve and air valve nut (see § 8.6 page 64 DRT7105)	1	-	-
20	910018219	Needle (see § 8.10 page 67 DRT7105)	1	1	1-2
21	900010253	Needle rear stop	1	1	-
22	900010265	8 bar paint spring	1	1	-
23	900010240	Paint flow button	1	1	-
24	900020056	Lateral tape adapter	option	1	-
25	160000041	O-ring chemically inert (included in item 12)	1	1	2
26	160000067	O-ring FKM red (included in item 12)	1	1	2
27	-	Base (see § 2.2.1 page 12) or (see § 2.2.2 page 13)	1	-	-
27.1	910019627	Equipped coil Ø 6/8 for Nanogun+ Airspray (see § 2.2.1 page 12)	1	1	1-2
27.2	910030776	Equipped mini coil Ø 63/5 for Nanogun+ Airspray (see § 2.2.2 page 13)	1	1	1-2
28	910006118	Air nipple	1	1	-
29	J2FTCF018	O-ring FKM black (included in item 28)	2	1	2
30	J3STKL018	O-ring chemically inert white (included in item 28)	1	1	2
31	910015869	Electropneumatic coupling sets (see § 8.11 page 67 DRT7105)	1	1	-
32	910014166	Lateral tape equipped (included in item 12)	1	1	2
33	J2FTDF121	O-ring FKM black (included in item 32)	1	1	-

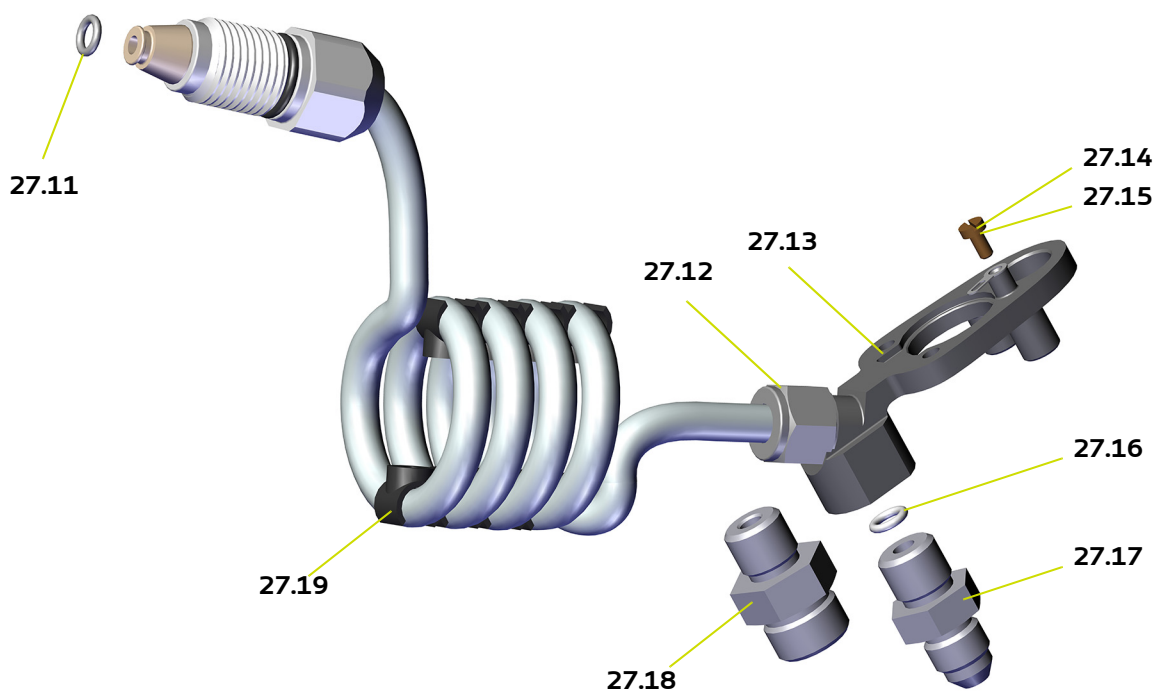
(*)

Level 1: 1st emergency parts

Level 2: Wearing parts

Note: the 4-finger trigger option (Item 9) is not operational with the Ø 6/8 coil.

2.2.1. Equipped coil Ø 6/8 for Nanogun+ Airspray



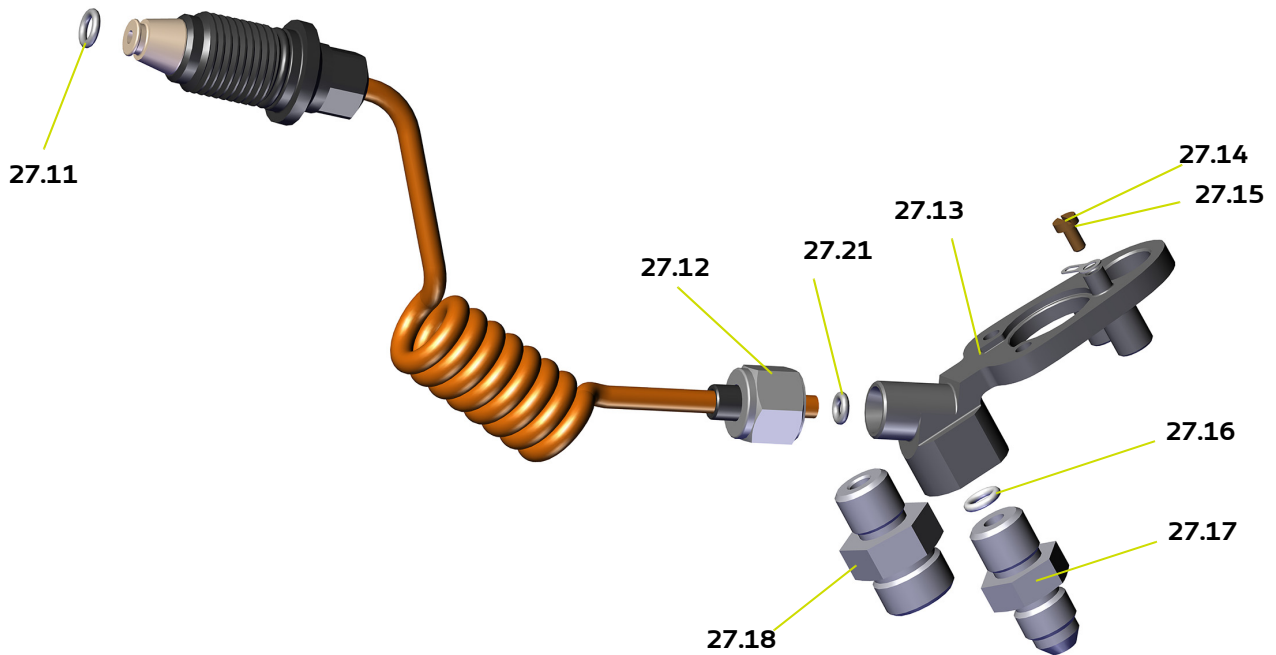
Item	Part number	Description	Qty	Unit of sale	Spare Part Level (*)
27.1	910019627	Equipped coil Ø 6/8 for Nanogun+ Airspray	1	1	-
27.11	J3STKL005	O-ring chemically inert	1	1	1-2
27.12	910020038	Rings and nut assembly	1	1	2
27.13	900013005	Spray gun base	1	1	-
27.14	X7CVCB064	Brass C M3 x16 screw	1	1	-
27.15	X2BDVX003	Fan washer	1	1	-
27.16	J3TTCN009	O-ring PTFE	1	2	2
27.17	900013369	Male connector 1/4 NPSM 1/2 JIC	1	1	-
27.18	900013073	Connector 1/4 NPSM	option	1	-
27.19	X9CCFT066	Tube fastener D: 8mm (set of 7)	2	1	-

(*)

Level 1: 1st emergency parts

Level 2: Wearing parts

2.2.2. Equipped mini coil Ø 3/5 for Nanogun+ Airspray



Item	Part number	Description	Qty	Unit of sale	Spare Part Level (*)
27.2	910030776	Equipped mini coil Ø 3/5 for Nanogun+ Airspray	1	1	-
27.11	J3STKL005	O-ring chemically inert	1	1	1-2
27.12	910020038	Rings and nut assembly	1	1	2
27.21	J3STKL035	O-ring	1	1	1-2
27.13	900013005	Spray gun base	1	1	-
27.14	X7CVCB064	Brass C M3 x16 screw	1	1	-
27.15	X2BDVX003	Fan washer	1	1	-
27.16	J3TTCN009	O-ring PTFE	1	2	2
27.17	900013369	Male connector 1/4 NPSM 1/2 JIC	1	1	-
27.18	900013073	Connector 1/4 NPSM	option	1	-

(*)

Level 1: 1st emergency parts

Level 2: Wearing parts

2.3. Lockable lateral air tape

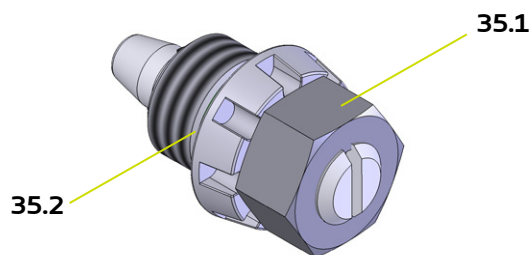
The lockable lateral air tape is compatible with all the versions of **Nanogun+ Airspray** spray gun.

It allows to lock and / or to prevent the involuntary rotation of the standard air tape and so, to keep the same width of impact. However the adjustment always remains possible by using a flat screwdriver and a 13 mm open end spanner.

This option can be directly settled in factory, either on-site by a subsidiary or by a **Sames** authorized dealer or by a customer beforehand trained.

This tape is completely exchangeable with a standard tape:

- Unscrew the H M8 nut using a flat wrench.
- Unscrew the tape using tool (P/N 900010973).
- Install the new tape.



Item	Part number	Description	Qty	Unit of sale	Spare Part Level (*)
35	910019632	Lockable lateral air tape	1	1	-
35.1	X4KEHU008	SS H M8 nut	1	1	-
35.2	J2FTDF121	O-ring FKM	1	1	-

(*)

Level 1: 1st emergency parts

Level 2: Wearing parts

2.4. Quick fitting for paint hose

The quick fitting is installed when numerous colors are used with a circulating to insure their supply. He allows a quick change of colors and minimizes the loss of paint.



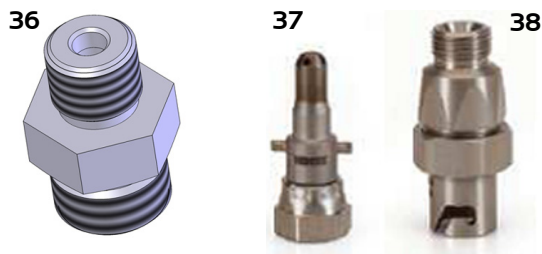
It is imperative not to use this option with a conductive product (Resistivity lower than 10MΩ.cm).

It is recommended to use this option with the option coil..

If this feature presents numerous advantages (quick color change with a minimum loss of paint...), however it weighs down the spray gun and can limit its handiness.

This option can be directly settled in factory, either on-site by a subsidiary or by a **Sames** authorized dealer or by a customer beforehand trained.

Remarks: A connector is necessary to install this quick union.



Item	Part number	Description	Qty	Unit of sale	Spare Part Level (*)
36	900013073	Connector 1/4 NPT	1	1	-
37	130001344	Male quick fitting (spray gun side)	1	2	-
38	130001345	Female quick fitting (paint hose side)	1	1	-

(*)

Level 1: 1st emergency parts

Level 2: Wearing parts

2.5. Paint return

The paint return is recommended for products having a strong trend to be sedimented (Ex: metallic bases).



It is imperative not to use this option with a conductive product (resistivity lower than 10MΩ.cm).

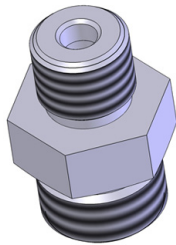
It is recommended to use this option with the option coil.

If this feature presents numerous advantages (prevention of the pigments sedimentation, possibility of spraying the paint with constant temperature by adding a heater), however it weighs down the spray gun and can limit its handiness.

This option can be directly settled in factory, either on-site by a subsidiary or by a **Sames** authorized dealer or by a customer beforehand trained.

Remarks: A connector is necessary to install this quick fitting.

36



37



39



40



Item	Part number	Description	Qty	Unit of sale	Spare Part Level (*)
36	900013073	Connector 1/4 NPT	1	1	-
37	130001344	Male quick union (spray gun side)	1	1	-
39	130001352	Quick fitting with return	1	1	-
40	130001353	Quick fitting, standard connection	1	1	-

(*)

Level 1: 1st emergency parts

Level 2: Wearing parts

2.6. Paint regulator / Return



**It is imperative not to use this option with a conductive product (resistivity lower than 10MΩ.cm).
It is recommended to use this option with the option coil.**

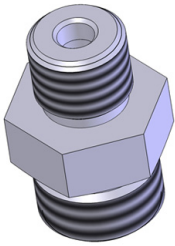
If this feature presents numerous advantages (accessible and quick adjustment, prevention of the pigments sedimentation, possibility of spraying the paint with constant temperature by adding a heater...), however it weighs down the spray gun and can limit its handiness.

This option can be directly settled in factory, either on-site by a subsidiary or by a **Sames** authorized dealer or by a customer beforehand trained.

Remarks: A connector is necessary to install this quick fitting.

Max. paint input pressure	14 bar
Output pressure	from 0.3 bar to 2.4 bar
Max. viscosity	see DRT7105
Max. flow rate	see DRT7105

36



37



41



42



Item	Part number	Description	Qty	Unit of sale	Spare Part Level (*)
36	900013073	Connector 1/4 NPT	1	1	-
37	130001344	Male quick union (spray gun side)	1	1	-
41	130001354	Regulator with quick fitting	1	1	-
42	130001355	Regulator with standard fitting	1	1	-

(*)

Level 1: 1st emergency parts

Level 2: Wearing parts

3. Revision index History

Created by		Checked by: G Fournel		Approved by S. Court	
Date	By:	Index	Purpose of the modification and location		
2014	S. Court	A	First Issue		
2022/11	O. Aubin	E	Change of identity and logo Update of the graphic charter Added mini coil version, Added 4 finger trigger and additional air control knob adapter Add the versions JR Ø 6, 8 and 12	§2.1.3, 2.1.4 § 2.2	§ 2.1.2 and 2.1.4