

# NDT Pressure Tank

Instruction manual

**DRT7169**

B - 2023/10

All communication or reproduction of this document, in any form whatsoever and all use or communication of its contents are forbidden without express written authorisation from **Sames**.

The descriptions and characteristics mentioned in this document are subject to change without prior notice

© Sames 2020 - Translation of the original instruction manual

## Services



### Certification and referencing

**Sames** is certified as a training center by the DIRRECTE of the Auvergne Rhône Alpes region under the number 84 38 06768 38.

Our company provides, throughout the year, training courses allowing you to acquire the essential know-how for the implementation and maintenance of your equipment in order to guarantee its performance in the long term.

A catalog is available on request.

[www.sames.com/france/fr/services-training.html](http://www.sames.com/france/fr/services-training.html)



### Line audits

As part of a technical assistance program for our customers using **Sames** equipment, the line audits are intended to help you optimize and control your production tool.

Our network of experts is continuously trained and qualified to provide our customers with technical expertise on the liquid or powder installations in which our equipment is integrated. The global environment of the production lines is taken into account during this technical audit.

A brochure is available for download:

[www.sames.com/france/fr/services-service-contract.html](http://www.sames.com/france/fr/services-service-contract.html)



### Maintenance program

An annual maintenance program (including or not the consumables to be replaced during each intervention) can be considered with the partnership of **Sames**. It is associated with a preventive maintenance plan established during a first audit visit which details the control points necessary to guarantee the performance of the installed equipment.

[www.sames.com/france/fr/services-service-contract.html](http://www.sames.com/france/fr/services-service-contract.html)



### Hotline

[www.sames.com/france/fr/services-service-contract.html](http://www.sames.com/france/fr/services-service-contract.html)

## NDT Pressure Tank

1. Health and safety instructions -----	5
1.1. Marking .....	5
1.2. Meaning of pictograms .....	6
1.3. Simplified analysis of potential ignition sources according to EN 80079-36 .....	7
1.4. Precautions for Use .....	7
1.5. Warnings .....	7
1.6. Important recommendations .....	9
1.6.1. Ventilation.....	9
1.6.2. O-ring seals .....	9
1.6.3. Ambient temperature .....	9
1.6.4. Sound level.....	9
2. Description -----	10
3. Characteristics -----	11
3.1. General characteristics .....	11
3.2. Air compressed quality .....	11
4. Operation -----	12
5. Start up-----	13
5.1. Specific tool .....	13
5.2. Installation for wall version .....	13
5.2.1. Connections.....	13
5.3. Use of the NDT pressure tank in wall-mounted version .....	14
6. Maintenance -----	15
6.1. Maintenance summary table .....	15
6.2. Cleaning .....	15
6.2.1. Procedure A: Cleaning of the equipment .....	15
6.2.2. Procedure B: Cleaning of the injection air check valve .....	16
6.2.3. Procedure C: Dump of tank .....	16
6.3. Replacement .....	17
6.3.1. Procedure D1: Replacement of filter.....	17
6.3.2. Procedure D2: Replacement of vibrator .....	18
7. Troubleshooting -----	19
8. Spare parts list -----	20
8.1. Equipment Minigun NDT, Europe and US versions .....	21
8.1.1. NDT pressure tank Europe and US versions .....	24
8.1.2. Injector/ejector assembly .....	26
9. Revision index History -----	27
10. Appendices -----	28
10.1. EU and UK Declarations of conformity .....	28

## 1. Health and safety instructions

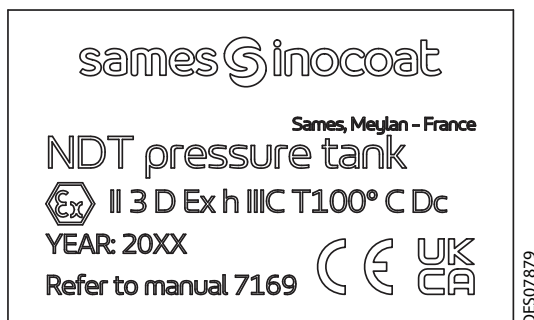
This manual contains links to the following operating instructions:

- [see DRT7132](#) for the **Inogun M** spray gun.
- [see DRT7145](#) for the **Inobox** control module.

### 1.1. Marking

The **NDT Pressure Tank** is classified as category 3 according to the ATEX 2014/34/EU and SI 2016 No. 1107 directives and is designed for use in zone 22.

The mode of protection applied is "safety by design".



## 1.2. Meaning of pictograms

				
Warning electricity	Warning Automatic start-up	Warning Hot surface	Warning Explosive material	General warning sign
				
Warning High pressure	Warning Crushing of hands	Warning for explosive atmospheres	Warning Flammable material	Warning Corrosive substance
				
Warning Toxic material	Warning Harmful products	No access for people with active implanted cardiac devices	Wear ear protection	Wear a face shield
				
Wear respiratory protection	Wear safety footwear	Wear protective clothing	Wear protective gloves	Wear head protection
				
Opaque eye protection must be worn	General mandatory action sign	Connect an earth terminal to the ground	Refer to Instruction manual	

### 1.3. Simplified analysis of potential ignition sources according to EN 80079-36

Risk of ignition		Measures applied to prevent the source of ignition from becoming effective
Potential source of ignition	Description / Main cause (What are the conditions causing the risk of ignition)	Description of the measure applied
Hot surface	Vibrator heating	Maximum vibrator surface temperature of 100°C
Static electricity	Internal electrostatic discharge in powder hose	Antistatic hose
	Electrostatic discharge on the pressure tank	Equipotentiality of the metal parts + earthing

### 1.4. Precautions for Use

This document contains information that all operators should be aware of and understand before using the **NDT pressure tank**. This information highlights situations that could result in serious damage and indicates the precautions that should be taken to avoid them.



**Before any use of the Inobox control module, check that all operators:**



- have previously be trained by the company **Sames**, or by their distributors registered by them for this purpose.
- have read and understood the user manual and all rules for installation and operation, as laid out below.



It is the responsibility of the operators' workshop manager to ensure these two points and it is also his responsibility to make sure that all operators have read and understood the user manuals for any peripheral electrical equipment present in the powdering area.

### 1.5. Warnings



**It is imperative that anyone wearing a pacemaker does not use the equipment and does not enter the projection area. High voltage can cause the pacemaker to malfunction.**



**This equipment may be hazardous if it is not used, disassembled and reassembled in accordance with the rules indicated in this manual and in any applicable European Standard or national safety regulations.**



**This equipment is intended for spraying powder paint only.**



Equipment performance is only guaranteed if original spare parts distributed by Sames are used.



To guarantee an optimal assembly, spare parts must be stored in a temperature close to their temperature of use. Should the opposite occur, a sufficient waiting time must be observed before the installation, so that all the elements are assembled in the same temperature.

- 1 It is imperative to connect the ground terminal of the tank to the ground terminal of the powder coating installation (or powder booth) in order to ensure the safety of the operators as well as the correct operation of the powder coating equipment.
- 2 Using individual protection equipment will limit the risks of contact and/or inhalation of toxic product, gas, vapors, fog or dusts that can be produced while using the equipment.  
The user has to follow the coating product manufacturer's recommendations.
- 3 Contact or inhalation of the products used with this equipment may be dangerous for personnel (see: safety data sheets for the products used). The pressure coating material or compressed air must not be directed at people or animals.
- 4 Any filling of the tank with powder must be done in a ventilated area provided for this purpose.  
**It is imperative to switch off all power supplies during the filling or emptying phases of the tank.**
- 5 The electrostatic powder spraying equipment must be maintained regularly in accordance with the indications and instructions given by **Sames**.  
Repairs must be carried out in strict accordance with these instructions.



## 1.6. Important recommendations

### 1.6.1. Ventilation

Do not start the powder application with the **Inogun M** spray gun until the spray booth ventilation system is switched on. If the ventilation is switched off, toxic substances or dust may remain in the spray booth and cause a risk of fire, poisoning or irritation.

### 1.6.2. O-ring seals

Use the seals recommended in this manual.

### 1.6.3. Ambient temperature

The equipment is designed to normally operate at an ambient temperature comprised between 0°C and + 40°C (32 °F to 104 °F)

The storage temperature must never exceed +60°C.

### 1.6.4. Sound level

The sound pressure level generated by the vibrator is 65.6 dBA under the specified operating conditions.

#### **Conditions of measurement:**

The equipment was put into operation at maximum characteristics, the measurements were carried out at different positions at 1 m from the cart and 1.6 m from the ground without the presence of powder in the Powder laboratory on the **Sames** site in Meylan, France.

#### **Method of measurement:**

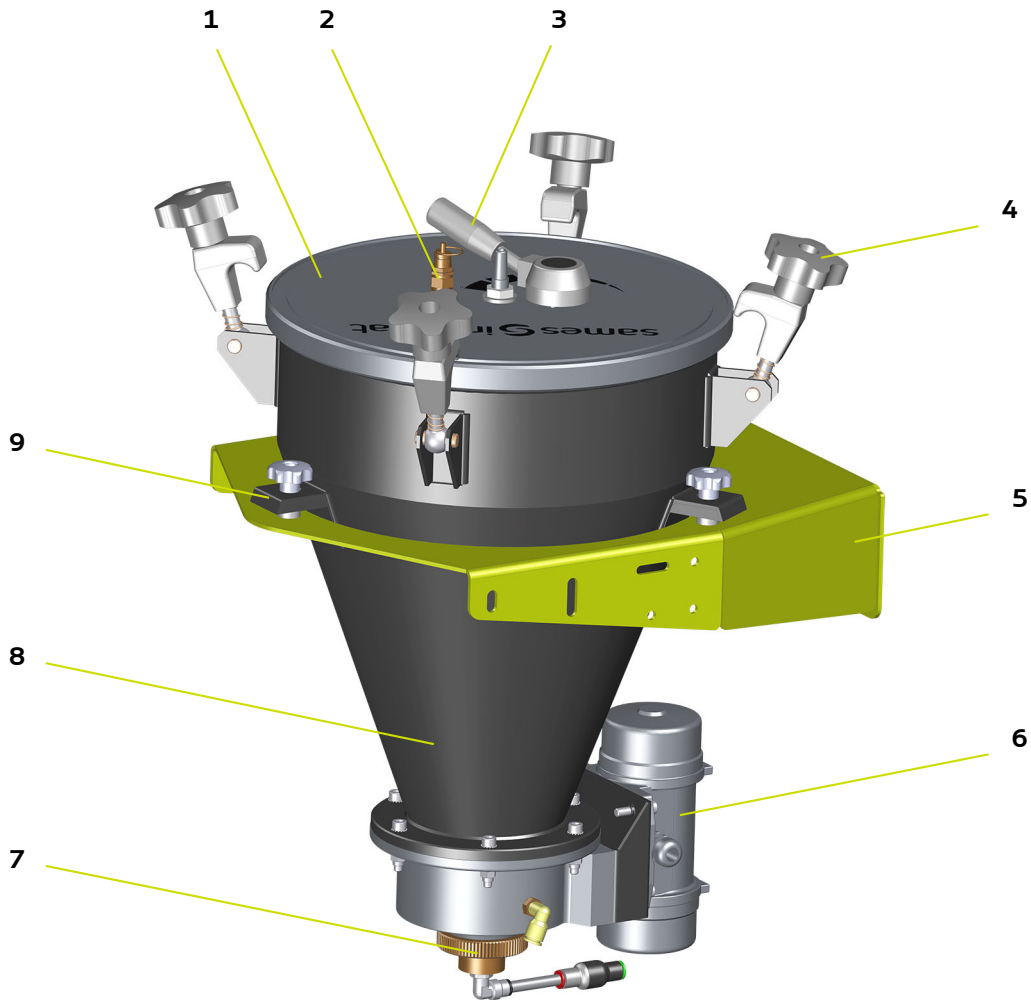
The acoustic pressure level, continuous, equivalent, weighted (65.6 dBA) is given in LEQ value, measured for observation periods of at least 30 seconds.

## 2. Description

The **NDT pressure tank** is designed to supply dry developer (powder) to powder guns non destructive testing powder systems.

It is either installed on the **Inocart NDT/HF** ([see DRT7161](#)), or in a wall-mounted version.

The **NDT pressure tank** is mainly equipped with the following components:



Item	Description
1	Cover
2	Quick release valve
3	Lever
4	Locking clamp
5	Support
6	Vibrator
7	Injector / ejector assembly
8	Tank body (contains powder paint)
9	Elastic support

### 3. Characteristics

#### 3.1. General characteristics

- **NDT pressure tank** capacity: total volume 15 liters, useful volume 9.2 l.
- Total weight without powder of pressure tank + support: 18 kg.
- The vibrator used on the **NDT pressure tank** is electric.

#### 3.2. Air compressed quality

Characteristics of compressed air supply according to the standard NF ISO 8573-1:	
Maximum dew point at 6 bar (87 psi)	Class 4 i.e + 3°C (37°F)
Maximum particle-size of solid pollutants	Class 3 i.e 5 µm
Maximum oil concentration	Class 1 i.e 0,01 mg/m <sup>3</sup> *
Maximum concentration of solid pollutants	Class 3 i.e 5 mg/m <sup>3</sup> *

\*: Values are given for a temperature of 20 °C (68 °F) at an atmospheric pressure of 1 013 mbar



Failure to comply with these characteristics may cause the Inobox control module to malfunction.



A filter 5 µm must be installed upstream of the compressed air supply of the Inobox control module. This filter is dimensioned according to the size of the system. Sames recommends using a filter of the type indicated ([see DRT7161](#)). In case of damage to the equipment due to the use of polluted air, the warranty may not be applied

Equipment supply air pressure	7 bar +/- 1 bar (*)
Total air flow rate	85 l/min



(\*) A pressure higher than 8 bar can cause malfunctions.

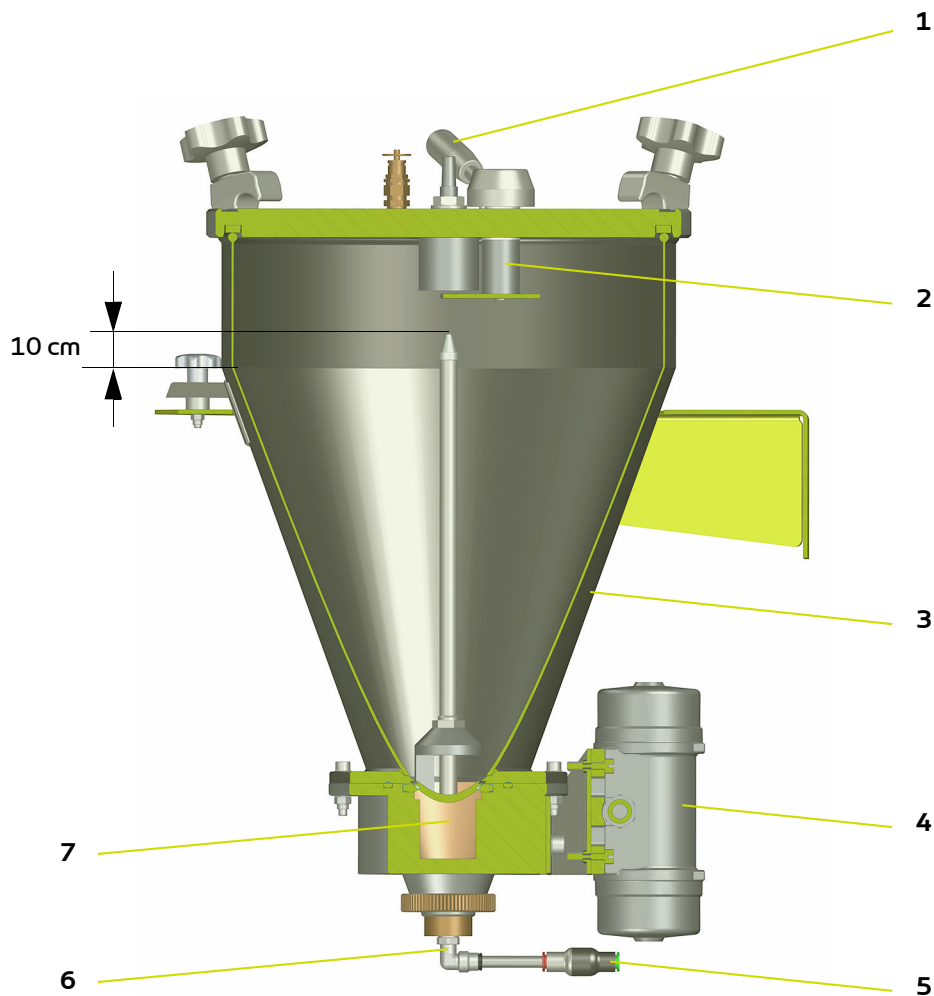
#### 4. Operation

- The powder contained in the tank (3) is fluidized at the fluidizing cup by means of air (connection on the fluidizing cup 6) passing through the porous cone (7).
- The injection air (check valve Item 5) is used to pressurize the **NDT pressure tank**. The injection and fluidizing air add up and help to transport the powder to the projector.
- The electric vibrator (4) prevents powder accumulation in the porous cone.
- The shutter (2) that more or less closes the powder ejector tube must be set to "0" at start-up.

The dry developer flow rate is adjusted using the injection air on the **Inobox** control module or directly on the gun using the + and - keys. If the flow rate is not sufficient when the injection parameter is at 100, it can be increased by opening the shutter (2) slightly using the lever (1) located on the cover.



**In no case should the maximum filling height of the tank exceed a threshold of 10 cm below the end of the ejector tube.**



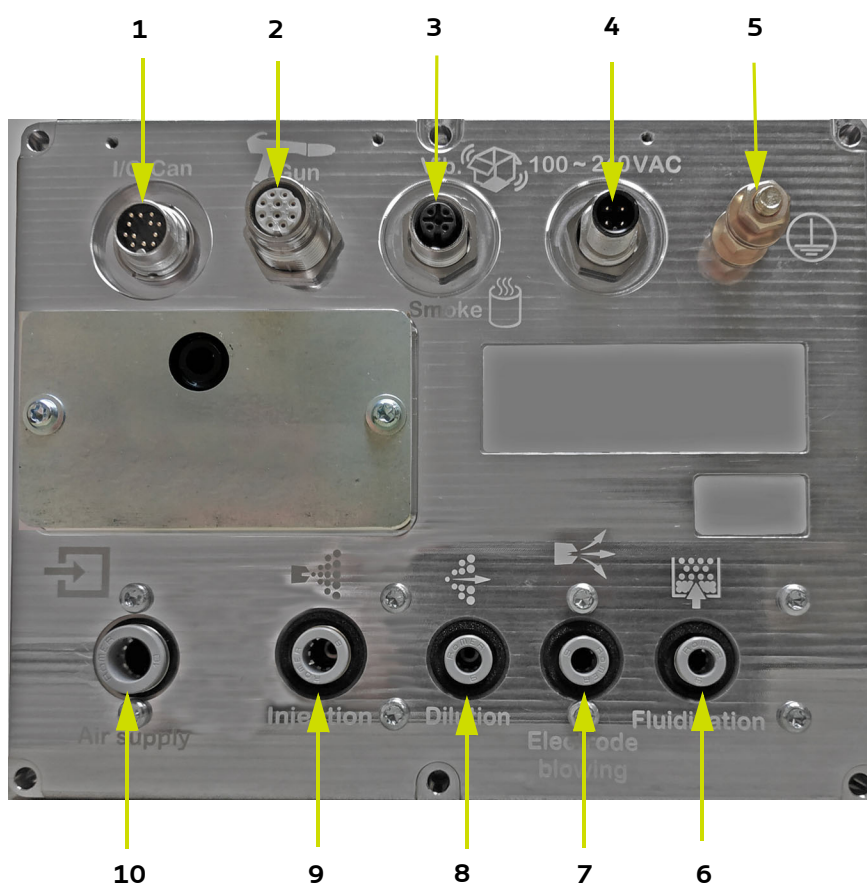
## 5. Start up

### 5.1. Specific tool

None

### 5.2. Installation for wall version

#### 5.2.1. Connections



Item	Description
1	PLC connection
2	Spray gun connection
3	Vibration connection
4	Power supply 100 / 240 VAC
5	Earth connection terminal
6	Not connected
7	Electrode Blowing air outlet
8	Fluidization air outlet
9	Injection air outlet
10	Air supply

### 5.3. Use of the NDT pressure tank in wall-mounted version

As the equipment has already been installed according to the safety rules ([see § 1 page 5](#)) follow the steps described below:

- **Step 1:** Connect the ground cable of the tank to a conductive and earthed part of the spray booth; the ground potential must be identical to that of the part to be powdered.
- **Step 2:** Electrically and pneumatically power the equipment.
- **Step 3:** Put powder in the pressure tank and close the lid with the clamps.



#### **Tank under pressure in operation.**

- **Step 4:** Switch on the **Inobox** control module ([see DRT7145](#)) (ON button on the front of the module. Configure the **Inobox NF** control module ([see DRT7145](#)), for pressure tank operation. The fluidizing outlet at the rear of the module must be plugged.
- **Step 5:** Choose the appropriate high-voltage feature or create a custom program.
- **Step 6:** Point the gun nozzle towards the booth and the part to be powdered and press the trigger.

The **NDT pressure tank** is equipped with 2.7mm injector, 2.7mm ejector and 6mm inner diameter hose.

Close the **NDT pressure tank** shutter fully (position 0). Set the fluidization to setpoint 50. The dry developer flow rate can then be adjusted on the **Inobox** module or directly on the gun by adjusting the injection parameter (0 to 100). If the flow rate is not sufficient, the control shutter can be opened slightly.

## 6. Maintenance

### 6.1. Maintenance summary table

The soiling and wear of the different elements of the **NDT pressure tank** caused by the passage of the powder depends on the nature of the powder and the operating conditions.

Therefore, the periodicity of maintenance indicated in the procedures below is only indicative. The user will have to create his own maintenance range as he uses the **Sames** equipment.

Procedure	Detail	Duration	Frequency
<b>Cleaning</b>			
<b>A</b>	Cleaning of the equipment	2 min	8 hours
<b>B</b>	Cleaning of the injection air check valve	2 min	-
<b>C</b>	Dump of tank	5 min	8 hours or at each color change
<b>Replacement</b>			
<b>D</b>	<b>D1</b>	Replacement of filter	30 min
	<b>F2</b>	Replacement of vibrator	1 Hour

### 6.2. Cleaning

#### 6.2.1. Procedure A: Cleaning of the equipment

Before any intervention, refer to the health and safety instructions ([see § 1 page 5](#)).



**Always wear safety glasses.**  
**When handling powder, wear gloves of a suitable resistant material**  
**Work in a well ventilated area.**

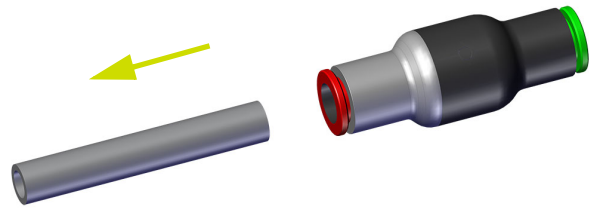


**All cleaning operations should only be carried out using compressed air at a maximum pressure of 2.5 bar, a cloth or possibly a brush. Never use water or solvents to clean the equipment.**

- Clean the equipment with compressed air every 8 hours.

### 6.2.2. Procedure B: Cleaning of the injection air check valve

- Switch off the high-voltage supply,
- **Step 1:** Switch off the air supply
- **Step 2:** Disconnect the hose upstream of the valve by pressing the green ring, then downstream on the red ring.
- **Step 3:** Then clean the valve with compressed air. If necessary, clean the tank injector.



### 6.2.3. Procedure C: Dump of tank

#### 6.2.3.1. Procedure 1

- **Step 1:** Disconnect the air supplies on the tank.
- **Step 2:** Remove the cover by unscrewing the clamps.
- **Step 3:** Disconnect the ground wire from the tank.
- **Step 4:** Unscrew the 3 knobs that secure the tank to the tank holder. Take out the tank, taking care not to shock the vibrator.
- **Step 5:** Empty the tank into the booth and clean the remaining powder with compressed air.

#### 6.2.3.2. Procedure 2

- **Step 1:** Disconnect the injection air supply to the pressure tank.
- **Step 2:** Place a recovery box under the pressure tank.
- **Step 3:** Unscrew the threaded ring and pull the injector/ejector assembly upwards. The powder then falls into the tray. Clean the remaining powder with compressed air.

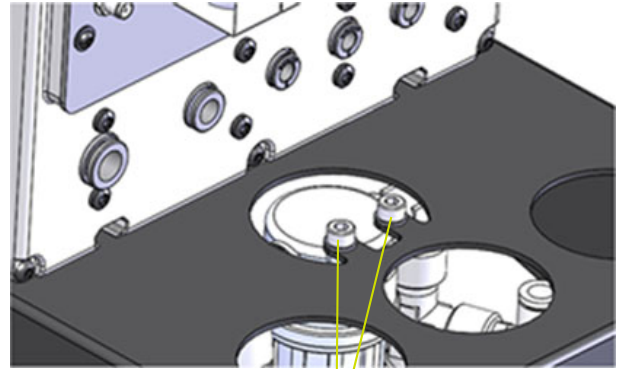


### 6.3. Replacement

The following maintenance operations are to be carried out in the workshop.

#### 6.3.1. Procedure D1: Replacement of filter

- **Step 1:** Disconnect the air supplies.
- **Step 2:** Unscrew the 2 fixing screws located on the wall support.
- **Step 3:** Remove the filter assembly.
- **Step 4:** To reassemble, proceed in reverse order: Replace filter. Secure it to the wall bracket with the 2 fixing screws. Reconnect the air supplies.



Fixing screws (2)

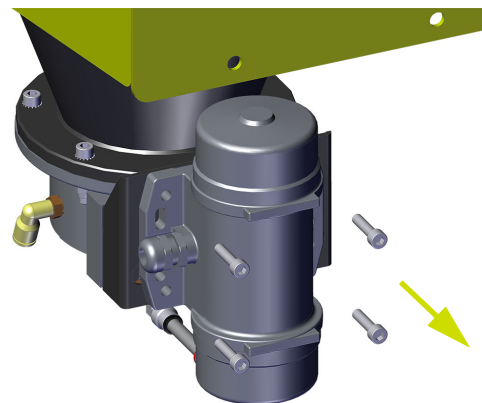
### 6.3.2. Procedure D2: Replacement of vibrator

#### Removal

- **Step 1:** Disconnect the vibrator cable on the **Inobox** side.
- **Step 2:** Disconnect the ground wire from the vibrator.

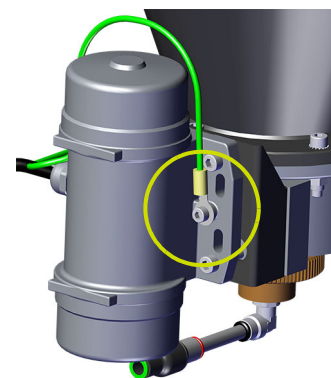
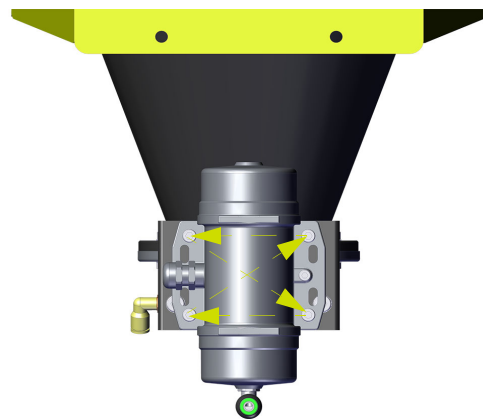


- **Step 3** Unscrew the 4 vibrator fastening screws.



#### Reassembly

- **Step 4:** Apply a few drops of normal threadlocker (P/N H2CPAL046) on the 4 fixing screws.
- **Step 5:** Place the vibrator on the pressure tank, screw the screws crosswise and in approach, then tighten to a torque of 10 N.m.
- **Step 6:** Attach the ground cable lug by tightening the screw to a torque of 7 N.m.
- **Step 7:** Reconnect the vibrator cable on the **Inobox** side.



## 7. Troubleshooting

Symptoms	Probable causes	Remedies
Powder comes out in sudden drops	Insufficient fluidization of the powder	Increase fluidization air flow rate Check the condition of the porous cone, replace it if it is obstructed.
	Insufficient injection air flow rate	Increasing the injection air flow rate
	Diameter of the powder transport hose unsuitable.	Use the hose recommended by <b>Sames</b> .
	Absence of the o-ring under the body	Put a new o-ring

## 8. Spare parts list

The spare parts are classified in 2 different types:

- **1st emergency parts:**

The 1st emergency parts are strategic components which are not necessarily consumables but which in case of failure prohibit the operation of the equipment.

Depending on the production line's commitment and the production rates imposed, the first emergency parts are not necessarily kept available in the customer's stock.

Indeed, if an interruption of the production flow is possible, storage is not necessary.

On the other hand, if the stop is not possible, the 1st emergency parts will be kept in stock.

- **Wearing parts:**

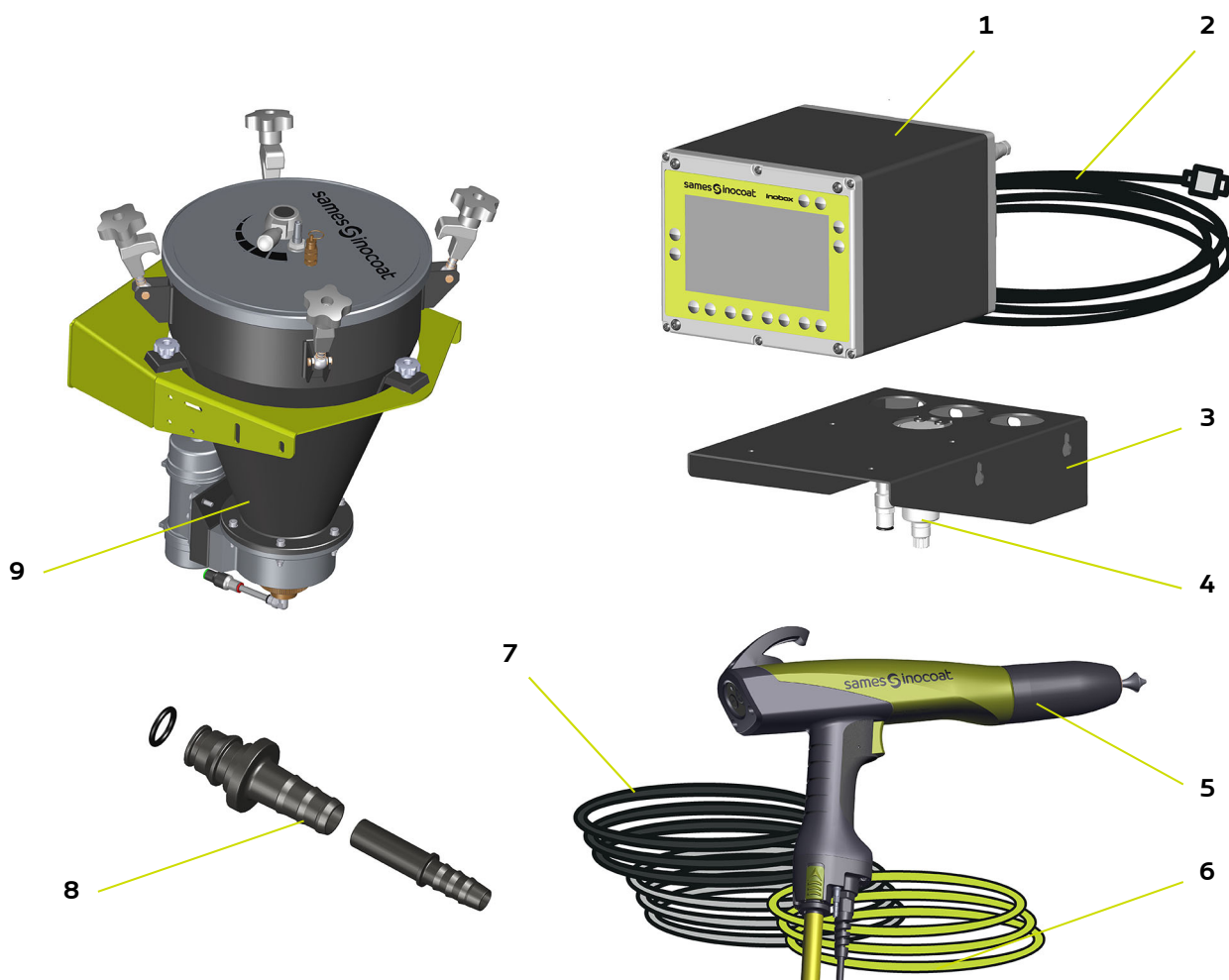
Wearing parts are consumable components such as O-rings that undergo regular degradation over time during normal operation of the installation. It is therefore advisable to replace them according to a defined frequency and adapted to the operating time of the installation.

The wearing parts must therefore be kept in the customer's stock.



**To guarantee an optimal assembly, spare parts must be stored in a temperature close to their temperature of use. Should the opposite occur, a sufficient waiting time must be observed before the installation, so that all the elements are assembled in the same temperature.**

### 8.1. Equipment Minigun NDT, Europe and US versions



Europe version

Item	Part Number	Description	Qty	Unit of sale	Maintenance level for spare parts (*)
	910031370	Minigun NDT - 6m	1	1	-
	910031370-12	Minigun NDT - 12m	1	1	-
1	910030576	Inobox NF control module ( <a href="#">see DRT7145</a> )	1	1	-
2	910030041	Inobox EU power cable, length: 2.5 m	1	1	-
3	910030910	Wall support kit	1	1	-
4	910027878	Equipped 5 micron air filter (included in item 3)	1	1	1-2
5	910030034	Inogun M spray gun (with cable length: 6 m) ( <a href="#">see DRT7132</a> )	1	1	-
	910030034-12	Inogun M spray gun (with cable length: 12 m) ( <a href="#">see DRT7132</a> )	1	1	-
6	130002067#	Green POE hose Ø 6 antistatic	6	50 m	2
		Green POE hose Ø 6 antistatic	12	50 m	2
7	130000625-6	Polyurethane electrode air hose Ø 6mm black antistatic	1	1	2
	130000625-12	Polyurethane electrode air hose Ø 6mm black antistatic	1	1	2
8	910031443	Non destructive Testing Powder Inogun M Conversion Kit	1	1	-
9	910030917	NDT pressure tank Europe version ( <a href="#">see § 8.1.1 page 24</a> )	1	1	-
<b>Not shown</b>					
	910030085	Vibrator ground cable	1	1	-
	910031355	Inobox UK power cable, length: 2 m	1	1	-

(\*)

Level 1: 1st emergency parts

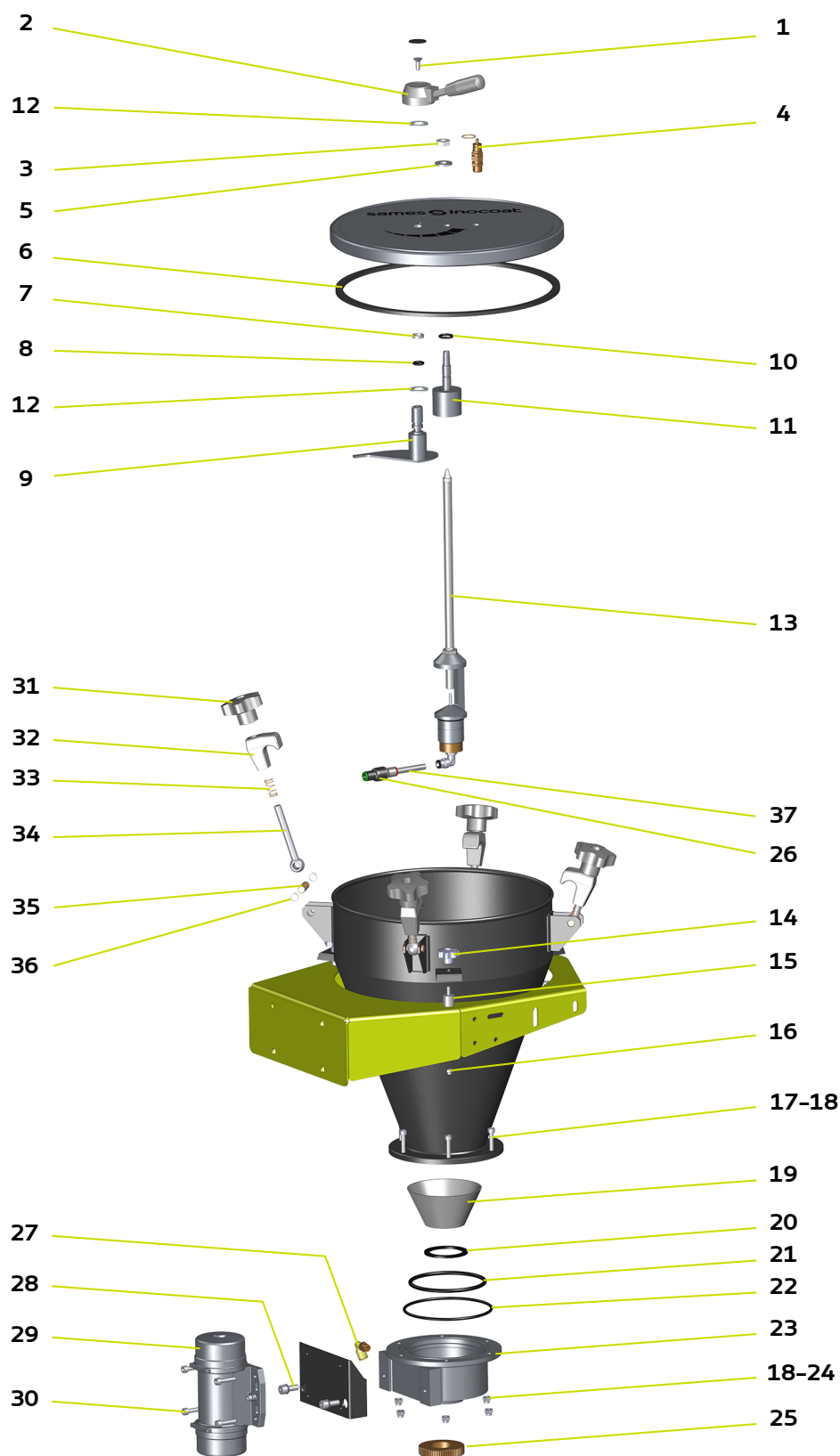
Level 2: Wearing parts

US version

Item	Part Number	Description	Qty	Unit of sale	Maintenance level for spare parts (*)
	910030909	Minigun NDT US - 6m	1	1	-
	910030909-12	Minigun NDT US - 12m	1	1	-
1	910030576	Inobox NF control module (see DRT7145)	1	1	-
2	910030398	Inobox US power cable, length: 2.5 m	1	1	-
3	910030910	Wall support kit	1	1	-
4	910027878	Equipped 5 micron air filter (included in item 3)	1	1	1-2
5	910030034	Inogun M spray gun (with cable length: 6 m) (see DRT7132)	1	1	-
	910030034-12	Inogun M spray gun (with cable length: 12 m) (see DRT7132)	1	1	-
6	130002067#	Green POE hose Ø 6 antistatic	6	50 m	2
		Green POE hose Ø 6 antistatic	12	50 m	2
7	130000625-6	Polyurethane electrode air hose Ø 6mm black antistatic	1	1	2
	130000625-12	Polyurethane electrode air hose Ø 6mm black antistatic	1	1	2
8	910031443	Non destructive Testing Powder Inogun M Conversion Kit	1	1	-
9	910031523	NDT pressure tank US version (see § 8.1.1 page 24)	1	1	-
<b>Not shown</b>					
	910030085	Vibrator ground cable	1	1	-

(\*)  
**Level 1: 1st emergency parts**  
**Level 2: Wearing parts**

8.1.1. NDT pressure tank Europe and US versions





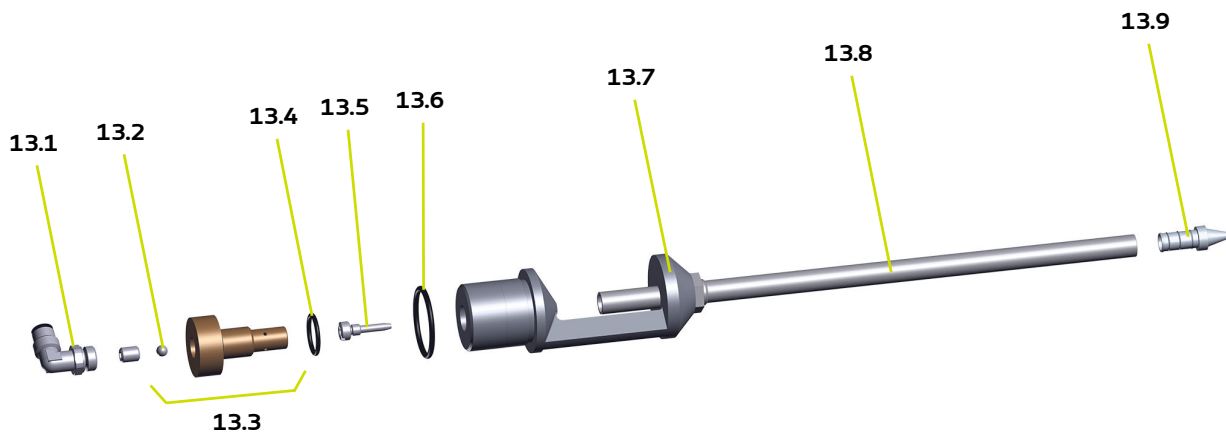
Item	Part Number	Description	Qty	Unit of sale	Maintenance level for spare parts (*)
	<b>910030917</b>	<b>NDT pressure tank Europe version</b>	<b>1</b>	<b>1</b>	-
	<b>910031523</b>	<b>NDT pressure tank US version</b>	<b>1</b>	<b>1</b>	-
1	X2BVFP223	F/90 M6 x16 AC 8/8 galvanized screw	1	1	-
2	Q1BPGN139	Lever	1	1	-
3	X2BEHM012	HM low M12 U AC galvanized nut	1	1	-
4	F1SSRL015	Quick release valve	1	1	-
5	X2BDZU012	M12 toothed washer	1	1	-
6	440014	Cover seal	1	1	1-2
7	J3TSEG121	Guiding ring	1	1	-
8	J2CTCN021	O-ring	1	1	2
9	1203225	Shutter with shaft	1	1	-
10	J2CTCN032	O-ring	1	1	2
11	440005	Funnel	1	1	-
12	548169	PTFE washer	2	1	-
13		<b>Injector/ejector assembly (see § 8.1.2 page 26)</b>	<b>1</b>	<b>1</b>	-
14	200000317	Bolt	3	1	-
15	Q4BPGS075	Elastic support	3	1	-
16	X2BEHS005	Nylstop M5 nut	3	1	-
17	X2BVHA228	HM 6 x 30 AC 8/8 galvanized screw	6	1	-
18	X2BDVX006	Fan washer AZ 6	12	1	-
19	302398	Porous cone	1	1	2
20	440022	Flat seal	1	1	2
21	J2CTCN229	O-ring	1	1	2
22	J2CTCN190	O-ring	1	1	2
23	325829	Fluidizing cup	1	1	-
24	X2BEHS006	Galvanized nylstop nut M 6	6	1	2
25	440021	Nut	1	1	-
26	F6RRAF043	Check valve	1	1	-
27	F6RLCS184	Elbow union	1	1	-
28	X3AVSY283	CHC M8 x 20 AC 8/8 galvanized screw	2	1	-
29	<b>910030011</b>	<b>EU Inocart vibrator</b>	<b>1</b>	<b>1</b>	<b>1-2</b>
	<b>910030896</b>	<b>US Inocart vibrator</b>	<b>1</b>	<b>1</b>	<b>1-2</b>
30	X3AVSY227	CHC M6 x 25 AC 8/8 galvanized screw	4	1	-
31	200000384	Star knob M10	4	1	-
32	052465601M	Clamp joint	4	1	-
33	050313302M	Spring Ø10.5 int length.: 24	4	1	-
34	052500600	Eye screw	4	1	-
35	900017684	Headless throat gougeon	4	1	-
36	X3DQEX033	Elastic ring	8	1	-
37	130000624	PU hose D: 08 x 1,25 black antistatic	0,05	m	2

(\*)

**Level 1: 1st emergency parts**

**Level 2: Wearing parts**

8.1.2. Injector/ejector assembly



Item	Part Number	Description	Qty	Unit of sale	Maintenance level for spare parts (*)
<b>13</b>		<b>Injector/ejector assembly</b>	<b>1</b>	<b>1</b>	-
<b>13.1</b>	130001160	Swivel fitting	1	1	-
<b>13.2</b>	K6RKBL118	Ball (included in item 13.3)	1	5	1
<b>13.3</b>	<b>456423</b>	<b>Equipped valve</b>	<b>1</b>	<b>1</b>	-
<b>13.4</b>	J2CTCN038	O-ring	1	5	2
<b>13.5</b>	1405927	Injector, caliber 27	1	1	-
<b>13.6</b>	J2CTCN067	O-ring	1	1	2
<b>13.7</b>	442001	Body	1	1	-
<b>13.8</b>	900013350	Powder ejector tube	1	1	-
<b>13.9</b>	900002670	Powder ejector Ø 2.7	1	1	-

(\*)  
**Level 1: 1st emergency parts**  
**Level 2: Wearing parts**

## 9. Revision index History

Created by:		Checked by: S. Tadem		Approved by: S. Court	
Date	By:	Index	Purpose of the modification and location		
2020/10	S. Court	A	First issue		
2023/10	O. Aubin	B	UKCA Marking Change of identity and logo Update of the graphic charter Adding injector/ejector assembly	§ 8.1.2	


## 10. Appendices

### 10.1. EU and UK Declarations of conformity



UE DECLARATION OF CONFORMITY

(1) The manufacturer herewith declares that the equipment is in conformity with the relevant Union harmonization legislation.

(2) <b>Equipment type</b>	<b>Réservoir poudre / Powder pressure tank</b>		
	réservoir NDT / NDT pressure tank		
(3) <b>Applicable Directives</b>	2014/34/UE ATEX Directive	(4) <b>Marking</b>	 II 3 D Ex h IIIC T100°C Dc
		(5) <b>Harmonised standards</b>	EN 80079-36 : 2016 EN 80079-37 : 2016
		(6) <b>Conformity assessment procedure</b>	Module A Technical Documentation
(7) This declaration of conformity is issued under the sole responsibility of the manufacturer.			

R&D Manager of MEYLAN site : Cyrille MEDARD

DocuSigned by:  
Cyrille Medard  
945D2100D3BD453...

Established in Meylan, on 15-nov.-23 | 11:50 CET

Sames

Siège Social / Headquarter: 13, chemin de Malacher - CS70086 - 38243 Meylan Cedex - France - Tél / Phone: +33 (0)4 76 41 60 60  
SAS au capital de 12.720.000 euros | RCS Grenoble: 572 051 688 | Code APE: 2829B | TVA intracom: FR36 572051688  
[info@sames.com](mailto:info@sames.com) - [www.sames.com](http://www.sames.com) | Société d'EXEL Industries / EXEL Industries company



# UE DECLARATION OF CONFORMITY

(1)	<p>Le Fabricant déclare que le matériel désigné ci-après est conforme à la législation d'harmonisation de l'Union applicable suivante/ Der Hersteller erklärt, dass das nachfolgend bezeichnete Material den folgenden anwendbaren Harmonisierungsrechtsvorschriften der Union entspricht / El fabricante declara que el equipo designado a continuación es conforme con la siguiente legislación de armonización de la UE aplicable / Il fabbricante dichiara che l'attrezzatura designata di seguito è conforme alla seguente legislazione di armonizzazione UE applicabile / O Fabricante declara que o equipamento designado abaixo está em conformidade com a seguinte legislação de harmonização aplicável da UE / Producent deklaruje, że urządzenie wskazane poniżej jest zgodne z następującymi obowiązującymi przepisami harmonizacyjnymi UE/ De fabrikant verklaart dat de hieronder beschreven apparatuur in overeenstemming is met de volgende toepasselijke EU-harmonisatiewetgeving/ Výrobce prohlašuje, že níže uvedené zařízení je ve shodě s těmito platnými harmonizačními právními předpisy EU/ Výrobce prohlašuje, že níže uvedené zařízení je ve shodě s těmito platnými harmonizačními právními předpisy EU/ Producenten erklærer, at det nedenfor angivne udstyr er i overensstemmelse med følgende gældende EU-harmoniseringslovgivning/ Valmistaja vakuuttaa, että jäljempänä mainitut laitteet ovat seuraavien sovellettävien EU:n yhdenmukaistamislainsäädäntöjen mukaisia./ Tootja kinnitab, et allpool nimetatud seadmed vastavad järgmistele kohaldatavatele ELi ühtlustamise õigusaktidele./ Ražotājs apliecina, ka turpmāk norādītās iekārtas atbilst šādiem piemērojamiem ES saskaņošanas tiesību aktiem./ Gamintojas pareiškia, kad foliau nurodyta įranga atitinka šiuos taikytinus ES derinamuosius teisės aktus/ Производителят декларира, че посоченото по-долу оборудване е в съответствие със следното приложимо законодателство на ЕС за хармонизация/ A gyártó kijelenti, hogy az alább megjelölt berendezés megfelel a következő alkalmazandó uniós harmonizációs jogszabályoknak / Producătorul declară că echipamentul desemnat mai jos este în conformitate cu următoarea legislație de armonizare a UE aplicabilă/ Ο κατασκευαστής δηλώνει ότι ο εξοπλισμός που αναφέρεται κατωτέρω συμμορφώνεται με την ακόλουθη ισχύουσα νομοθεσία ενωμόνισης της ΕΕ/ Προϊζνοδαč ovime izjavljuje da je oprema u skladu sa zakonskim zahtjevima Ujedinjene Kraljevine./ Výrobca vyhlasuje, že níže uvedené zariadenie je v súlade s týmito platnými harmonizačnými právnymi predpismi EÚ/ Произвојалец изјављује, да је сподат наведена опрема складна з насљедној вељавној усклађевалној законоданој ЕУ/ Производител заявяет, что указанное ниже оборудование соответствует следующим применимым законодательным актам ЕС по гармонизации/ 製造者は、以下に指定された装置が、適用される以下のEU調和法に適合していることを宣言する。/ 制造商声明·下面指定的设备符合以下适用的欧盟协调立法·</p>
(2)	<p>Type d'équipement/ Art der Ausrüstung/ Tipo de equipo/ Tipo de attrezzatura/ Tipo de equipamento/ Rodzaj sprzętu/ Type uitrusting/ Typ zařízení/ Typ av anordning/ Type af anordning/ Laitteen tyyppi/ Seadme tüüp/ Iekārtas tips/ Įrangos tipas/ Вид оборудване/ A berendezés típusa/ Tipul de echipament/ Τύπος εξοπλισμού/ Vrsta opreme/ Typ zariadenia/ Vrsta naprave/ Тип оборудованя/ 機器の種類/ 设备类型</p>
(3)	<p>Directives applicables/Anwendbare Richtlinien/Directivas aplicables/Direttive applicabili/Directivas aplicáveis/Obowiązujące dyrektywy/Toepasselijke richtlijnen/Platné smernice/Πιλάμπλιγα direktiv/Gældende direktiver/Sovellettat direktiivit/Kohaldatavad direktiivid/Piemērojamās direktīvas/Taikomos direktyvos/Приложими директиви/Alkalmazandó irányelvek/Directive aplicabile/ισχύουσες οδηγίες/Priljubljenive smjernice/Uplatnitelne smerice/Вељавне directive/Применимые директивы/適用される指令/适用的指令</p>
(4)	<p>Marquage/Markierung/Marcado/Marcação/Inakowanie/Markering/Označení/Märkning/Mærkning/Merkintä/Märkistus/Marķējums/Zenklīnims/Маркировка/Jelölés/Marcare/Ἰήμανση/Objilježava/Označovanie /Označevanje/Маркировка/マーキング/ 标识</p>
(5)	<p>Normes harmonisées/Harmonisierte Normen / Normas armonizadas/ Norme armonizate/Normas harmonizadas /Normy zharmonizowane/Geharmoniseerde normen /Harmonizované normy /Harmoniserade standarder /Harmoniserede standarder /Yhdenmukaistetut standardit /Harmoniseeritud standardid /Saskaņotie standarti /Suderinli standartai /Хармонизирани стандарти /Harmonizált szabványok / Standarde armonizate/ Evarmonisiména prótotipa /Harmonizirani standardi /Harmonizované normy /Usklajeni standardi /Гармонизированные стандарты /整合規格 /协调标准</p>
(6)	<p>Procédure d'évaluation de la conformité/Verfahren der Konformitätsbewertung/Procedimiento de evaluación de la conformidad/Procedura di valutazione della conformità/Procedimento de avaliação da conformidade/Procedura oceny zgodności/Conformiteitsbeoordelingsprocedure/Postup posuzování shody / Förfarande för bedömning av överensstämmelse/Procedure for overensstemmelsesvurdering /Vaatimustenmukaisuuden arviointimenettely / Vastavushindamisemenellus/Atbilstības novērtēšanas procedūra /Atitikties vertinimo procedūra /Процедура за оценка на съответствието /Megfelelőségértékelési eljárás / Procedura de evaluare a conformității/Διαδικασία αξιολόγησης της συμμόρφωσης /Postupak ocjene usklađenosti /Postup posuzovanja zhody /Postopek ugotavljanja skladnosti /Процедура оценки соответствия / 適合性評價手順 / 符合性評估程序</p>
(7)	<p>Cette déclaration de conformité est délivrée sous la seule responsabilité du fabricant. / Diese Konformitätserklärung wird unter der alleinigen Verantwortung des Herstellers ausgestellt./ Esta declaración de conformidad se emite bajo la única responsabilidad del fabricante./ Questa dichiarazione di conformità è rilasciata sotto la sola responsabilità del produttore./ Esta declaração de conformidade é emitida sob a exclusiva responsabilidade do fabricante./ Niniejsza deklaracja zgodności została wydana na wyłączną odpowiedzialność producenta./ Deze verklaring van overeenstemming wordt afgegeven onder de uitsluitende verantwoordelijkheid van de fabrikant./ Toto prohlášení o shodě je vydáno na výhradní odpovědnost výrobce./ Denna försäkran om överensstämmelse utfärdas på tillverkarens eget ansvar. / Denne overensstemmelseserklæring er udstedt på producentens eget ansvar./ Tämä vaatimustenmukaisuusvakuutus annetaan valmistajan yksinomisella vastuulla./ Käesolev vastavusdeklaratsioon on välja antud tootja ainuvastusel./ Šī atbilstības deklarācija ir izdota uz ražotāja atbildību./ Už šią atitikties deklaraciją atsako tik gamintojas./ Настоящата декларация за съответствие се издава на пълната отговорност на производителя./ Ezt a megfelelőségi nyilatkozatot a gyártó kizárólagos felelősége mellett adjuk ki./ Prezenta declarație de conformitate este emisă pe răspunderea exclusivă a producătorului./ Η παρούσα δήλωση συμμόρφωσης εκδίδεται με αποκλειστική ευθύνη του κατασκευαστή./ Ova izjava o skladnosti izdaje se isključivo pod odgovornošću proizvođača./ Toto vyhlásenie o zhode sa vydáva na výhradnú zodpovednosť výrobcu./ Za to izjavo o skladnosti je odgovoren izključno proizvajalec./ Din iddikjarazzjoni ta' konformità għandha tinfahg taħt ir-responsabbiltà unika tal-manifattur./ Данная декларация соответствия выдана под исключительную ответственность производителя./ この適合宣言は、製造者の単独責任のもとで発行されています。/本符合性声明由制造商全权负责发布。</p>

SAMES

Siège Social / Headquarter: 13, chemin de Malacher - CS70086 - 38243 Meylan Cedex - France - Tél / Phone: +33 (0)4 76 41 60 60  
 SAS au capital de 12.720.000 euros | RCS Grenoble: 572 051 688 | Code APE: 2829B | TVA intracom: FR36 572051688  
[info@sames.com](mailto:info@sames.com) - [www.sames.com](http://www.sames.com) | Société d'EXEL Industries / EXEL Industries company



## UK DECLARATION OF CONFORMITY

(1) The manufacturer herewith declares that the equipment is in conformity with the relevant Union harmonization legislation.

(2) Equipment type	Réservoir poudre / Powder pressure tank		
	réservoir NDT / NDT pressure tank		
(3) Applicable Directives	2016 No. 1107	(4) Marking	Ex II 3 D Ex h IIIC T100°C Dc
		(5) Designated standards	EN 80079-36 : 2016 EN 80079-37 : 2016
		(6) Conformity assessment procedure	Module A Technical Documentation
(7) This declaration of conformity is issued under the sole responsibility of the manufacturer.			

R&D Manager of MEYLAN site : Cyrille MEDARD

DocuSigned by:  
Cyrille Medard  
945D2100D3BD453...

Established in Meylan, on 15-nov.-23 | 11:50 CET

## Sames

Siège Social / Headquarter: 13, chemin de Malacher - CS70086 - 38243 Meylan Cedex - France - Tél / Phone: +33 (0)4 76 41 60 60  
SAS au capital de 12.720.000 euros | RCS Grenoble: 572 051 688 | Code APE: 2829B | TVA intracom: FR36 572051688  
[info@sames.com](mailto:info@sames.com) - [www.sames.com](http://www.sames.com) | Société d'EXEL Industries / EXEL Industries company



## UK DECLARATION OF CONFORMITY

(1)	<p>Le Fabricant déclare que le matériel désigné ci-après est conforme à la législation d'harmonisation de l'Union applicable suivante/ Der Hersteller erklärt, dass das nachfolgend bezeichnete Material den folgenden anwendbaren Harmonisierungsrechtsvorschriften der Union entspricht / El fabricante declara que el equipo designado a continuación es conforme con la siguiente legislación de armonización de la UE aplicable / Il fabbricante dichiara che l'attrezzatura designata di seguito è conforme alla seguente legislazione di armonizzazione UE applicabile / O Fabricante declara que o equipamento designado abaixo está em conformidade com a seguinte legislação de harmonização aplicável da UE / Producent deklaruje, że urządzenie wskazane poniżej jest zgodne z następującymi obowiązującymi przepisami harmonizacyjnymi UE/ De fabrikant verklaart dat de hieronder beschreven apparatuur in overeenstemming is met de volgende toepasselijke EU-harmonisatiewetgeving/ Výrobce prohlašuje, že níže uvedené zařizení je ve shodě s těmito platnými harmonizačními právními předpisy EU/ Výrobce prohlašuje, že níže uvedené zařizení je ve shodě s těmito platnými harmonizačními právními předpisy EU/ Producenten erklærer, at det nedenfor angivne udstyr er i overensstemmelse med følgende gældende EU-harmoniseringslovgivning/ Valmistaja vakuuttaa, että jäljempänä mainitut laitteet ovat seuraavien sovellettävien EU:n yhdenmukaistamislainsäädäntöjen mukaisia./ Tootja kinnitab, et allpool nimetatud seadmed vastavad järgmistele kohaldatavatele ELi ühtlustamise õigusaktidele./ Ražotājs apliecina, ka turpmāk norādītās iekārtas atbilst šādiem piemērojamiem ES saskaņošanas tiesību aktiem./ Gamintojas pareiškia, kad toliau nurodyta įranga atitinka šiuos taikytinus ES derinamuosius teisės aktus/ Производителят декларира, че посоченото по-долу оборудване е в съответствие със следното приложимо законодателство на ЕС за хармонизация/ A gyártó kijelenti, hogy az alább megjelölt berendezés megfelel a következő alkalmazandó uniós harmonizációs jogszabályoknak / Producătorul declară că echipamentul desemnat mai jos este în conformitate cu următoarea legislație de armonizare a UE aplicabilă/ Ο κατασκευαστής δηλώνει ότι ο εξοπλισμός που αναφέρεται κατωτέρω συμμορφώνεται με την ακόλουθη ισχύουσα νομοθεσία ενωμοποίησης της ΕΕ/ Προϊζνοδαč ovlme izjavljuje da je oprema u skladu sa zakonskim zahtjevima Ujedinjene Kraljevine./ Výrobca vyhlasuje, že nižšie uvedené zariadenie je v súlade s týmito platnými harmonizačnými právnymi predpismi EÚ/ Произвојалец изјављује, да је сподј наведена опрема складна з наследњо велјавно усклајевално законодано ЕУ/ Производител заявяет, что указанное ниже оборудование соответствует следующим применимым законодательным актам ЕС по гармонизации/ 製造者は、以下に指定された装置が、適用される以下のEU調和法に適合していることを宣言する。/ 制造商声明·下面指定的设备符合以下适用的欧盟协调立法。</p>
(2)	<p>Type d'équipement/ Art der Ausrüstung/ Tipo de equipo/ Tipo de attrezzatura/ Tipo de equipamento/ Rodzaj sprzętu/ Type uitrusting/ Typ zařizení/ Typ av anordning/ Type af anordning/ Laitteen tyyppi/ Seadme tüüp/ Iekārtas tips/ Įrangos tipas/ Вид оборудване/ A berendezés típusa/ Tipul de echipament/ Τύπος εξοπλισμού/ Vrsta opreme/ Typ zariadenia/ Vrsta naprave/ Тип оборудования/ 機器の種類/ 设备类型</p>
(3)	<p>Directives applicables/Anwendbare Richtlinien/Directivas aplicables/Directive applicabili/Directivas aplicáveis/Obowiązujące dyrektywy/Toepasselijke richtlijnen/Platné smernice/Tillämpliga direktiv/Gældende direktiver/Sovellettavat direktiivit/Kohaldatavad direktiivid/Piemērojams direktīvas/Taikomos direktyvos/Приложими директиви/Alkalmazandó irányelvek/Directive aplicabile/Ισχύουσες οδηγίες/Primjenjive smjernice/Uplatnitelne smerice/Veljavne directive/Применимые директивы/適用される指令/适用的指令</p>
(4)	<p>Marquage/Markierung/Marcado/Marcatura/Marcação/Znakowanie/Markering/Označeni/Märkning/Mærkning/Merkintä/Märkistus/Marķējums/Ženklinimas/Маркировка/Jelölés/Marcare/Ἰσημανση/Обилежава/Označovanie /Označevanje/Маркировка/マーキング / 标识</p>
(5)	<p>Normes désignées/Bezeichnete Normen /Normas designadas /Norme designate /Normas designadas /Normy wyznaczone / Aangewezen normen/Určené normy /Uitgekade standarder /Udpegede standarder /Nimetyl standardit /Määratud standardid /Izraudzītie standarti /Paskirtieji standartai /Определени стандарти /Kijelölt szabványok /Standarde desemnate /Καθορισμένα πρότυπα /Određeni standardi /Určené normy / Določeni standardi /Назначенные стандарты /指定された規格 /指定的标准</p>
(6)	<p>Procédure d'évaluation de la conformité/Verfahren der Konformitätsbewertung/Procedimiento de evaluación de la conformidad/Procedura di valutazione della conformità/Procedimento de avaliação da conformidade/Procedura oceny zgodności/Conformiteitsbeoordelingsprocedure/Postup posuzování shody / Förfarande för bedömning av överensstämmelse/Procedura for overensstemmelsesvurdering /Vaatimustenmukaisuuden arviointimenettely /Vastavushindamismenetlus/Atbilstības novērtēšanas procedūra /Atitikties vertinimo procedūra /Процедура за оценка на съответствието /Megfelelőségértékelési eljárás / Procedura de evaluare a conformității/Διαδικασία αξιολόγησης της συμμόρφωσης /Postupak ocjene usklađenosti /Postup posudzovanja zhody /Postopek ugotavljanja skladnosti /Процедура оценки соответствия /適合性評価手順 /適合性評估程序</p>
(7)	<p>Cette déclaration de conformité est délivrée sous la seule responsabilité du fabricant. / Diese Konformitätserklärung wird unter der alleinigen Verantwortung des Herstellers ausgestellt./ Esta declaración de conformidad se emite bajo la única responsabilidad del fabricante./ Questa dichiarazione di conformità è rilasciata sotto la sola responsabilità del produttore./ Esta declaração de conformidade é emitida sob a exclusiva responsabilidade do fabricante./ Niniejsza deklaracja zgodności została wydana na wyłączonej odpowiedzialności producenta./ Deze verklaring van overeenstemming wordt afgegeven onder de uitsluitende verantwoordelijkheid van de fabrikant./ Toto prohlášení o shodě je vydáno na výhradní odpovědnost výrobce./ Denna försäkran om överensstämmelse utfärdas på tillverkarens eget ansvar. / Denne overensstemmelseserklæring er udstedt på producentens eget ansvar./ Tämä vaatimustenmukaisuusvakuutus annetaan valmistajan yksinomaisella vastuulla./ Käesolev vastavusdeklaratsioon on välja antud tootja ainuvastutusel./ Šī atbilstības deklarācija ir izdota uz ražotāja atbildību./ Už šī atitikties deklarāciju atsako tik gamintojas./ Настоящата декларация за съответствие се издава на пълната отговорност на производителя./ Ezt a megfelelőségi nyilatkozatot a gyártó kizárólagos felelősége mellett adjuk ki./ Prezentata declarație de conformitate este emisă pe răspunderea exclusivă a producătorului./ Η παρούσα δήλωση συμμόρφωσης εκδίδεται με αποκλειστική ευθύνη του κατασκευαστή./ Ova izjava o skladnosti izdaje se isključivo pod odgovornošću proizvođača./ To to vyhlásenie o zhode sa vydáva na výhradnú zodpovednosť výrobcu./ Za to izjavo o skladnosti je odgovoren izključno proizvajalec./ Din iddikjarazzjoni ta' konformità għandha tinħareġ taht ir-responsabbiltà unika tal-manifattur./ Данная декларация соответствия выдана под исключительную ответственность производителя./ この適合宣言は、製造者の単独責任のもとで発行されています。/本符合性声明由制造商全权负责发布。</p>

SAMES

Siège Social / Headquarter: 13, chemin de Malacher - CS70086 - 38243 Meylan Cedex - France - Tél / Phone: +33 (0)4 76 41 60 80  
 SAS au capital de 12.720.000 euros | RCS Grenoble: 572 051 688 | Code APE: 2829B | TVA intracom: FR36 572051688  
[info@sames.com](mailto:info@sames.com) - [www.sames.com](http://www.sames.com) | Société d'EXEL Industries / EXEL Industries company



For almost a century, **Sames** has provided services and equipment for the application of liquid and powder paints, adhesives and sealants to bond, protect and beautify all types of surfaces.

We design, produce and market complete solutions - manual guns, automatic and robotic applicators, pumps and dosing machines...

We offer solutions at the cutting edge of technological innovation, serving industrial efficiency for the most challenging customers, and environmentally friendly.

**Sames** bonds, protects and beautifies all materials.

More than a supplier, **Sames** is the partner of your performance.

**We *Simply Apply the Most Efficient Solutions.***

Enjoy being the best *together*



Headquarter: 13, Chemin de Malacher - CS70086 - 38243 Meylan Cedex - France  
☎ +33 (0)4 76 41 60 60 - [www:sames.com](http://www:sames.com)