

Pumps | 2 Ball Pumps



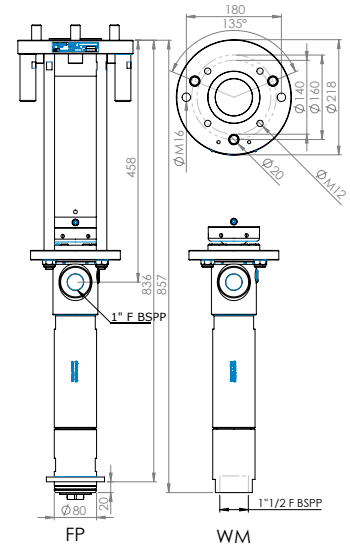
2B360 HV Ball
2B360: 2 Ball Pump Size 360cc

part number: **REX | 2B | 0360 | - | MO | - | MA | - | FO | - | SE**
example: REX2B0360-72-SC-FP-06

High Viscosity 2 Ball Pump used for automotive sealing and sound deadener applications requiring low flow rates. The pump is adapted from 2B227 and has a longer body. The pumping solution offers a mid-size footprint and its stainless-steel construction with carbide seats work with unique materials.

Technical Data

Fluid volume per cycle	360	cc	12,17	oz
Stroke	200	mm	7,87	inch
Maximum service pressure	480	bar	7000	psi
Weight	47	kg	103,7	Lbs
Fluid outlet	1"	F BSPP		



Air Motor



Available Motors	Pressure Ratio	Maximum Air Inlet Pressure		Maximum Outlet Fluid Pressure		Minimum Outlet Fluid Pressure		Motopump Weight		Air consumption 15 Stroke/min @ 4 bar	Air inlet fitting	
		su	bar	psi	bar	psi	bar	psi	Kg			Lbs
NONE	-	-	-	-	-	-	-	-	-	-	-	-
MOTOR 7200	53 : 1	6	100	320	4600	80	1153	73	165,4	1145	40,4	3 / 4"

scfm= Standard cubic feet of gas per minute

Pump Construction



Available Materials	Pump body			Piston				lower valve			Foot tube
	Wet Cup	Upper body	Cylinder	rod	Valve Body	Valve Ball	Valve Seat	Body	Ball	Seat	
Stainless steel + carbide	CS+Zn	SST	SST+Cr	SST+Cr	SST	SST	CB	SST	SST	SST	SST

CS: Carbon Steel - SST: Stainless Steel - CB: Carbide - Zn: Zinc treatment - Cr: Chromium treatment

Foot and Mounting Styles



Available Configurations	Technical characteristic	Materials	
		1: Stainless	2: Stainless steel
Wall mounted	1" 1/2 F BSPP	Not available	Available
Follower Plate	Ø80 mm	Not available	Available
Drum Bung mounted	60 Liters Drum	Not available	Not available
Drum Bung mounted	200 Liters Drum	Not available	Not available

Seal Pack Options



Available Seals Packing	Static seals "O"-rings	Upper seals packing	Piston seals packing
PU	FKM	PU and PE	PTFEG

PTFE=Polytetrafluoroethylene (Teflon like properties)
PTFEG=PTFE + Graphite (impregnated)
PE=Polyethylene (UHMWPE)
FKM=Flouroelastomer (Viton like properties)
PU=Polyurethane
PTFEV=PTFE + Glass (impregnated)
FEP=Encapsulated O-Ring (Teflon like properties over Viton or Silicone)