

FPRO G / GSP / SMART CUPS

SPARE PARTS BREAKDOWN

FPRO G LP WITH CUP

PART NUMBER	DESCRIPTION
136-790-000	FPro G LVLP S/PROJ CUP
136-790-312	FPro G LVLP-12-Mvb CUP
136-790-313	FPro G LVLP-13-Mvb CUP
136-790-314	FPro G LVLP-14-Mvb CUP
136-790-315	FPro G LVLP-15-Mvb CUP
136-790-318	FPro G LVLP-18-Mvb CUP
136-790-322	FPro G LVLP-22-Mvb CUP

FPRO G LP WITHOUT CUP

135-790-312	FPro G LVLP 12-Mvb NO CUP
135-790-313	FPro G LVLP 13-Mvb NO CUP
135-790-314	FPro G LVLP 14-Mvb NO CUP
135-790-315	FPro G LVLP15-Mvb NO CUP
135-790-318	FPro G LVLP18-Mvb NO CUP
135-790-322	FPro G LVLP 22-Mvb NO CUP

FPRO G HVLP WITH CUP

136-797-412	FPro G HVLP-12-Lvb CUP
136-797-413	FPro G HVLP-13-Lvb CUP
136-797-414	FPro G HVLP-14-Lvb CUP
136-797-415	FPro G HVLP-15-Lvb CUP
136-797-418	FPro G HVLP-18-Lvb CUP
136-797-422	FPro G HVLP-22-Lvb CUP

FPRO G HVLP WITHOUT CUP

135-797-412	FPro G HVLP-12-Lvb NO CUP
135-797-413	FPro G HVLP-13-Lvb NO CUP
135-797-414	FPro G HVLP-14-Lvb NO CUP
135-797-415	FPro G HVLP-15-Lvb NO CUP
135-797-418	FPro G HVLP-18-Lvb NO CUP
135-797-422	FPro G HVLP-22-Lvb NO CUP

FPRO G CONV WITH CUP

136-794-000	FPro G CONV S/PROJ CUP
136-794-312	FPro G CONV-12-Mvb CUP
136-794-313	FPro G CONV-13-Mvb CUP
136-794-314	FPro G CONV-14-Mvb CUP
136-794-315	FPro G CONV-15-Mvb CUP
136-794-318	FPro G CONV-18-Mvb CUP
136-794-322	FPro G CONV-22-Mvb CUP

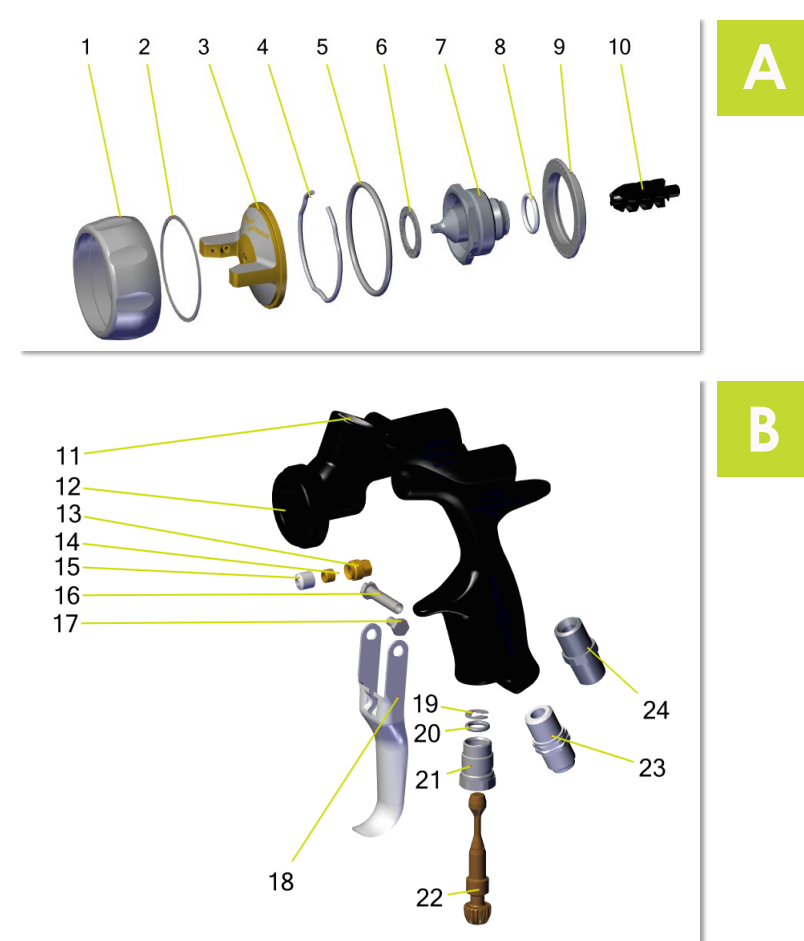
FPRO G CONV WITHOUT CUP

135-794-312	FPro G CONV-12-Mvb NO CUP
135-794-313	FPro G CONV-13-Mvb NO CUP
135-794-314	FPro G CONV-14-Mvb NO CUP
135-794-315	FPro G CONV-15-Mvb NO CUP
135-794-318	FPro G CONV-18-Mvb NO CUP
135-794-322	FPro G CONV-22-Mvb NO CUP

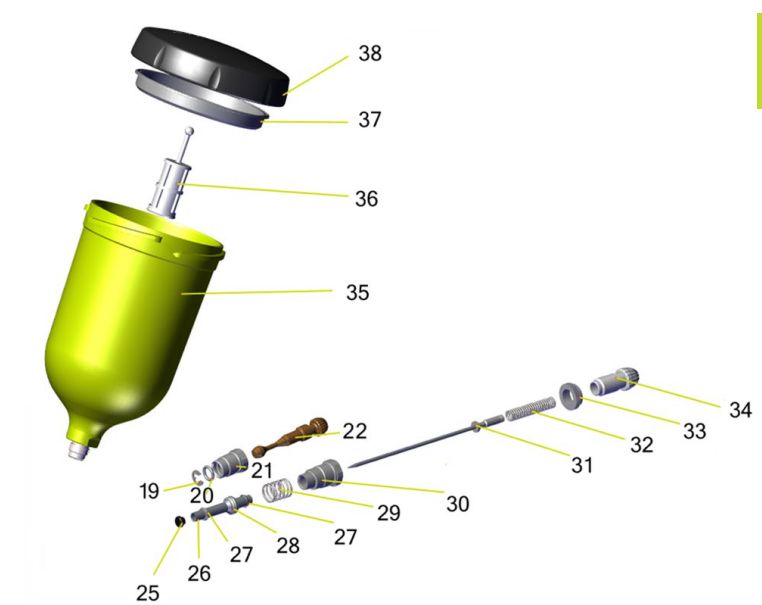
FPRO G GSP WITH CUP

136-798-315	FPro G GSP CONV-15-Mvb CUP
136-798-318	FPro G GSP CONV-18-Mvb CUP
136-798-322	FPro G GSP CONV-22-Mvb CUP

FPRO G & GSP - EXPLODED VIEWS A-B



FPRO G - EXPLODED VIEW C1



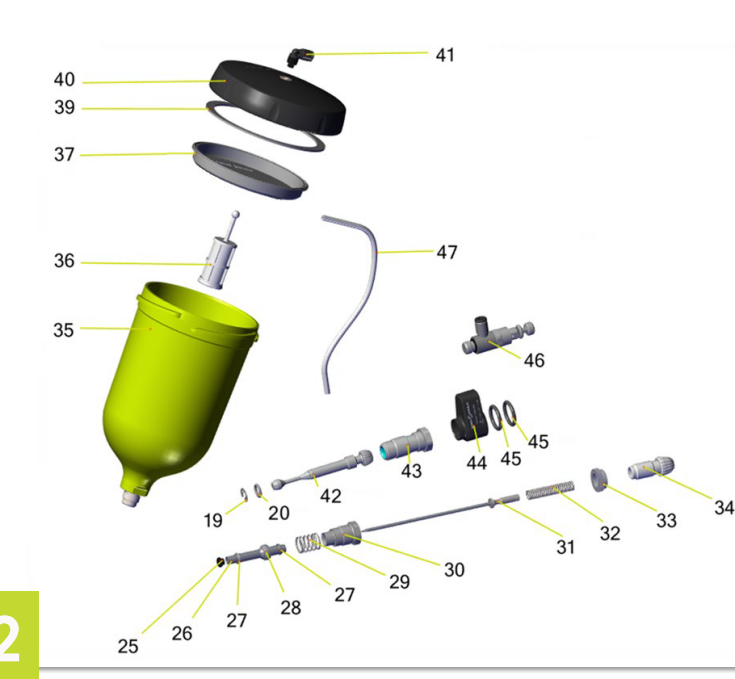
FPRO G & GSP - SECTION A

NUMBER	DESIGNATION
1	Air cap ring
2	Friction seal
3	Air cap
4	Retaining ring
5	Air cap ring's o-ring seal
6	Distribution washer
7	Nozzle
8	Nozzle's o-ring seal
9	Distribution ring
10	Vortex

FPRO G & GSP - SECTION B

11	Cup connection
12	Gun body FPro G GSP
13	Packing holder
14	Teflon bearing
15	Seat
16	Trigger axle
17	Stainless steel screw H M4X8
18	Trigger
19	Circlip
20	O-ring PTFE
21	Needle liner
22	Short air needle
23	Connection M R1/4 M 1/4 NPS
24	Connection M R1/4 - M G 1/4 BSP

FPRO GSP - EXPLODED VIEW C2



FPRO G - SECTION C1

NUMBER	DESIGNATION
19	Steel Circlip
20	PTFE seal
21	Needle sleeve
22	Short air needle
25	Valve actuator
26	One-piece valve body
27	Valve seal x2
28	Valve seal HDPE 3000
29	Air valve spring FPro G
30	Rear liner
31	Needle
32	Needle spring FPro G
33	Locking nut M12x100
34	Magnetic needle stop
35	Cup body
36	Filter
37	Anti-drip membrane
38	Cup lid 0.6L

FPRO GSP - SECTION C2

19	Steel Circlip
20	PTFE seal
25	Valve actuator
26	One-piece valve body
27	Valve seal x2
28	Valve seal HDPE 300
29	Air valve spring FPro G
30	Sleeve
31	Needle
32	Needle spring FPro G
33	Locking nut M12x100
34	Magnetic needle stop
35	Cup body
36	Filter
37	Anti-drip membrane
39	0.6L Cup seal
40	Cup lid 0.6L GSP
41	Elbow M5 T2, 5x4
42	GSP air needle
43	GSP needle sleeve
44	Ring kit GSP FPro G
45	Seals NBR Black 80SH x2
46	Regulator 1 Bar 1/8G Ø4
47	Hose Ø4 Kit GSP

FPRO G / GSP / SMART CUPS

SPARE PARTS BREAKDOWN



FPRO G & GSP SPARE PARTS		
POSITION NUMBER	PART NUMBER	DESCRIPTION
1	132-760-005	Head ring
1-2-3-4-5	132-790-200	FPro G head LVLP-12 22-Mvb
1-2-3-4-5	132-794-100	FPro G head CONV-12 22-Mvb
1-2-3-4-5	132-790-100	FPro G head HVLP-12 22-Lvb
6	129-130-004	Pack of 5 distribution washer
6-7-8-31	131-799-912	TIP + NEEDLE 12 - FPRO G
6-7-8-31	131-799-913	TIP + NEEDLE 13 - FPRO G
6-7-8-31	131-799-914	TIP + NEEDLE 14 - FPRO G
6-7-8-31	131-799-915	TIP + NEEDLE 15 - FPRO G
6-7-8-31	131-799-918	TIP + NEEDLE 18 - FPRO G
6-7-8-31	131-799-922	TIP + NEEDLE 22 - FPRO G
6-7-8	134-130-300	TIP 12 EQUIPPED FOR FPRO
6-7-8	134-130-400	TIP 13 EQUIPPED FOR FPRO
6-7-8	134-130-500	TIP 14 EQUIPPED FOR FPRO
6-7-8	134-130-600	TIP 15 EQUIPPED FOR FPRO
6-7-8	134-130-700	TIP 18 EQUIPPED FOR FPRO
6-7-8	134-130-800	TIP 22 EQUIPPED FOR FPRO
9	129-130-003	Pack of 5 distribution rings
10	129-140-031	Vortex
13	029-130-006	Packing holder for FPRO
14-15	129-130-903	Pack of 5 packing assembly for FPRO
16-17	129-790-904	Trigger axis + screw
16-17-18	129-790-907	Pack trigger FPro G
19-20-21-22	129-130-030	Air adjuster assembly
25	129-030-026	Pack of 5 air valve assembly drivers

FPRO G & GSP SPARE PARTS continued		
POSITION NUMBER	PART NUMBER	DESCRIPTION
25-26-27-28-29	129-790-020	Air valve assembly FPro G
29-30-32-34	129-790-905	Rear line assembly FPro G
30	029-030-003	Sleeve
31	133-790-300	Needle tip 22-27 & needle magnetic support 07-40 FPro G
31	133-790-400	Needle tip 07-13 & needle magnetic support 07-40 FPro G
31	133-790-500	Needle tip 14-18 & needle magnetic support 07-40 FPro G
	129-140-090	Needle end 22/27 for FPRO (PACK OF 5)
	129-140-092	Needle end 07/13 for FPRO (PACK OF 5)
	129-140-093	Needle end 14/18 for FPRO (PACK OF 5)
34	129-790-026	Magnetic needle stop FPro G
35-36-37-38	139-790-100	Gravity cup FPro G 0.6L
35-36-37-39-40	139-790-200	Cup FPRO GSP + filter + anti-grip diaphragm + lid
	139-280-200	Plastic gravity cup 0.25 L + filter
41	139-790-215	Elbow M5 T2, 5X4
46	903-130-605	Regulator 1 bar 1/8G Ø4 for FPro GSP
47	139-790-214	Tube rilsan 2.7 x 4 black - 1 METER - FPro GSP
2	129-080-007	Pack of 2 air cap seals
2-5-6-8-14-15-28-37	129-790-901	Pack of seals FPro G
5	150-040-309	Pack of 10 seals
8	129-209-902	Set of 5 tip seals
28	129-030-022	Pack of 10 air valve seals
19-20-37-39-45	129-798-901	Pack of seals GSP kit
36	139-270-005	Filter
37	139-790-105	Pack of 5 anti-drip diaphragms FPro G

FPRO G & GSP SPARE PARTS OR REPAIR KITS		
POSITION NUMBER	PART NUMBER	DESCRIPTION
19-20-42-43-44-45-46	129-798-100	Kit GSP without cup - FPro GSP
19-20-35-36-37-39-40-41-42-43-44-45-46-47	139-798-200	Kit GSP with cup - FPro GSP
	049-221-800	Gravity gun table bracket
	049-221-900	Gravity gun wall bracket
FPRO G & GSP REPAIR KIT SPECIFICS		
23	050-102-624	Connector M R 1/4 M 1/4 NPS
24	050-102-217	Connector M R 1/4 M 1/4 BSP
	129-760-921	Brushes and wrench set
	906-300-101	Brush (large size)
	150-070-560	Handle gauge T (fittings MF 1/4 NPS)
LUBRICANTS		
	560-440-001	PTFE grease 450 GR. box
	560-440-101	10 ML GREASE PTFE CARTRIDGE
SMART CUP BOXES		
	138-790-111	Pack of 48 Smart Cups Mini - 250mL - filter 125µm
	138-790-112	Pack of 48 Smart Cups Mini - 250mL - filter 125µm
	138-790-113	Pack of 48 Smart Cups - 750mL - filter 190µm
	138-790-114	Starter Kit Smart Cups - 12 units - 750 mL - filter 125 µm
	138-790-115	Starter Kit Smart Cups - 12 units - 750 mL - filter 190 µm
	138-790-001	Adaptor Smart Cups - SK FPro G, M22 G, S3 G
	138-790-121	Pack of 2 hard Mini Smart Cups for dosing - 250mL
	138-790-122	Pack of 2 hard Smart Cups for dosing - 750mL
	138-790-150	Box of 50 Stir Sticks - Smart Cups
	138-790-057	Dispenser of mini Smart Cups 250mL wall mounted
	138-790-058	Dispenser of Smart Cups 750mL wall mounted
	138-790-059	Dispenser of lids & rings wall mounted - Smart Cups

LT 999-600-456 © 2023 Sames reserves the right to change without notice characteristics and services offered as well as equipment and attachments of these.