

Xcite[®] + & Xcite[®] + Light guns

Instruction manual

DRT582221110

G - 2023/09

No part of this document may be communicated or reproduced in any form, nor may its contents be used or communicated, without the express written permission of **Sames**.

The descriptions and characteristics contained in this document are subject to change without notice.

© Sames 2023 - Translation from the original manual

Services



Certification and referencing

Sames is certified as a training centre by the DIRRECTE of the Auvergne Rhône Alpes region under the number 84 38 06768 38.

Throughout the year, our company provides training courses that enable you to acquire the know-how required for the implementation and maintenance of your equipment in order to guarantee its long-term performance.

A catalogue is available on request.

www.sames.com/usa/en/services-training.html



Line audit

As part of a technical assistance programme for our customers using **Sames** equipment, line audits are designed to help you optimise and control your production tool.

Our network of experts is continuously trained and qualified to provide our customers with technical expertise on the liquid or powder installations in which our equipment is integrated. The overall environment of the production lines is taken into account during this technical audit.

A brochure is available for download:

www.sames.com/usa/en/services-service-contract.html



Maintenance contract

An annual maintenance contract (including or not the consumables to be replaced during each intervention) can be considered with the partnership of **Sames**. It is associated with a preventive maintenance plan established during a first audit visit which details the control points necessary to guarantee the performance of the installed equipment.

www.sames.com/usa/en/services-service-contract.html



Hotline

www.sames.com/usa/en/services-service-contract.html

Xcite®+ & Xcite®+ Light guns

1. Health and safety instructions -----	6
1.1. Configuration of the certified equipment	6
1.2. Marking	6
1.2.1. Description of the ATEX equipment	6
1.2.2. Standards and guidelines applied	8
1.3. Meaning of the pictograms	9
1.4. Precautions for use	10
1.4.1. General	10
1.4.2. Safety devices	10
1.4.3. Pressure hazards	10
1.4.4. Fire, explosion, static electricity hazards	11
1.4.5. Toxic chemicals hazards	11
1.4.6. Hoses	12
1.4.7. Normal stop	12
1.4.8. Materials used	12
1.5. Warnings	13
1.5.1. Installation rules	14
1.6. Important recommendations	15
1.6.1. Non-intended use or foreseeable misuse	15
1.6.2. Compressed air quality	15
1.6.3. Transport	15
1.6.4. Check the scope of delivery	15
1.6.5. Recommendation materials	16
1.6.6. Storage conditions	16
1.6.7. Handling	16
1.7. Warranty	17
2. Description -----	18
2.1. General	18
2.2. Function of the different components	19
3. Technical features -----	20
3.1. Dimensions (mm/	20
3.2. Operating features	21
3.3. Safety features	21
3.4. Operating principle	21
4. Schematics -----	22
5. Start-up -----	22
5.1. Tools	22
5.1.1. Operating instructions	24
5.2. Installation	25
5.2.1. Installation diagram	26
5.3. Shutdown and start-up procedures	27
5.3.1. Handling	27
5.3.2. Shutdown procedure of the gun	27
6. Maintenance -----	28

6.1. Maintenance summary table	29
6.2. Preventive maintenance plan – PMP 582221110	30
6.3. Maintenance	31
6.3.1. Maintenance and monitoring periods.....	31
6.3.2. Cleaning.....	31
6.4. Replacement	32
6.4.1. Procedure A1: Disassembly of the aircap (2) and of the tip (3).....	32
6.4.2. Procedure A2: Reassembly of the aircap (2) and of the tip (3).....	32
6.4.3. Procedure B1: Disassembly of the seat-holder assembly (4).....	33
6.4.4. Procedure B2: Reassembly of the seat-holder assembly (4)	34
6.4.5. Procedure C1: Disassembly of the needle assembly (7) and of the air valve (10) .	36
6.4.6. Procedure C2: Reassembly of the needle assembly (7) and the air valve (10).....	37
6.4.7. Procedure D1: Disassembly of the fan adjustment valve (15).....	38
6.4.8. Procedure D2: Reassembly of the fan adjustment valve (15)	38
6.4.9. Procedure E1: Disassembly of the trigger (5).....	39
6.4.10. Procedure E2: Reassembly of the trigger (5).....	39
6.4.11. Procedure F1: Disassembly of the safety lever (5.5).....	40
6.4.12. Procedure F2: Reassembly of the safety lever (5.5)	40
6.4.13. Procedure G1: Disassembly of the protective tube assembly (21)	
(for Xcite®+ guns) 41	
6.4.14. Procedure G2: Reassembly of the protective tube assembly (21)	
(for Xcite®+ guns) 42	
6.4.15. Procedure H1: Disassembly of the fitting (16) (for Xcite®+ Light guns)	43
6.4.16. Procedure H2: Reassembly of the fitting (16) (for Xcite®+ Light guns).....	43
7. Troubleshooting -----	44
8. Spare parts List-----	45
8.1. Guns	46
8.1.1. Wear part numbers.....	50
8.1.2. References spare parts or repair kits	54
9. History of revision indices -----	60
10. Annexes -----	61
10.1. Preventive Maintenance Plan	61
10.2. EU declaration of conformity and UKCA declaration	62

1. Health and safety instructions

1.1. Configuration of the certified equipment

This manual defines the configuration of the certified equipment.


1.2. Marking

1.2.1. Description of the ATEX equipment

Each device is marked with the name of the manufacturer, the device reference and important informations for the use of the device: air pressure, electrical power.


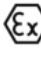
This equipment has been designed in accordance with the ATEX Directive 2014/34/EU and is intended for use in Zone 1.

This equipment therefore complies with the following provisions:

- ATEX Directive (2014/34/EU):  II 2 G - group II, category 2, gas).

The EU declaration of conformity and the UKCA declaration (specific for the British market) are included in this document in annexes.



Description	
Sigle Sames	Manufacturer's brand
Xcite®+ Xcite®+ Light	Product name
CE	CE: European conformity
	 : Use in explosive area II: Group II 2: Category 2 Surface equipment intended for use in environment where explosive atmospheres due to gases, vapors, mists are likely to occur occasionally during normal operation. G: Gas
Ex	Ex: Marking of conformity to european standards
h	h: Protection mode for non-electrical devices
IIB T6	IIB: Reference gas for equipment qualification T6: Temperature class - Maximum surface temperature: 85°C / 185°F*
Gb	Gb: Equipment protection level (gas Zone 1)
X	X: Special conditions apply to the use of the safe operation. Refer to the instructions in the instruction manuals that accompany this product.
UK CA	UK CA: UK Conformity Assesment Marking required for certain products placed on the market in Great Britain (England, Wales, Scotland) on January 2021
P air 6 bar/87 psi	Gun air supply maximum pressure
2022	This number indicates the year of manufacture.



Each appliance is fitted with a nameplate bearing the name of the manufacturer, the appliance reference number, important information for the use of the appliance (pressure, power,...) and sometimes the pictogram shown opposite.

The equipment is designed and manufactured with high quality materials and components that can be recycled and reused.

The 2012/19/EU European Directive applies to all devices marked with this logo (crossed-out waste bin). Find out more about the collection systems available for electrical and electronic appliances.

Follow the rules in your locality and **do not dispose of your old appliances with your household waste**. Proper disposal of this old appliance will help prevent negative effects on the environment and human health.

1.2.2. Standards and guidelines applied

The standards applied are as follows:

- **EN ISO 80079-36 Juin 2016 / EN ISO 80079-36 June 2016:**
Non-electrical equipment for use in potentially explosive atmospheres - Methodology and requirements - Explosive atmospheres - Part 36: non electrical equipment for use in potentially explosive atmospheres - Methodology and requirements.
- **EN ISO 80079-37 Juin 2016 / EN ISO 80079-37 June 2016:**
Explosive atmospheres - Part 37: non-electrical equipment for use in potentially explosive atmospheres - Non-electrical protection by constructional safety 'c', by ignition source monitoring 'b', by immersion in liquid 'k' - Explosive atmospheres - Part 37: non-electrical equipment for use in potentially explosive atmospheres - Non-electrical protection mode by constructional safety 'ch', by ignition source monitoring 'bh', by immersion in liquid 'kh'.
- **EN 1127 Août 2019 / EN 1127 August 2019:**
Explosive atmospheres - Explosion prevention and protection - Part 1: basic concepts and methodology.

The guidelines applied are as follows:

- **Directive ATEX 2014/34/UE / ATEX Directive 3014/34/EU:**
Equipment and protective systems intended for use in explosive atmospheres.
- **SI 2016 No. 1107:**
Equipment and Protective Systems Intended for use in Potentially Explosive Atmospheres Regulations 2016.

1.3. Meaning of the pictograms

 <p>Danger: Electricity</p>	 <p>Danger: Automatic start</p>	 <p>Danger: Hot parts or surfaces</p>	 <p>Danger: Risk of explosion</p>	 <p>Danger: General</p>
 <p>Danger: High pressure</p>	 <p>Danger: Pinching and/or crushing</p>	 <p>Danger: Atex Zone</p>	 <p>Danger: Flammability hazard</p>	 <p>Danger: Corrosive products</p>
 <p>Danger: Toxic materials</p>	 <p>Danger: Harmful products</p>	 <p>Prohibition of wearing a pacemaker</p>	 <p>Obligation: Wear of hearing protection</p>	 <p>Obligation: Wear of a protective visor</p>
 <p>Obligation: Protection of the respiratory tract</p>	 <p>Obligation: Wear of safety shoes</p>	 <p>Obligation: Wear of protective clothes</p>	 <p>Obligation: Wear of gloves</p>	 <p>Obligation: Wear of a protective helmet</p>
 <p>Obligation: Wear of safety glasses</p>	 <p>Obligation: General</p>	 <p>Obligation: Grounding</p>	 <p>Obligation Refer to the manual</p>	

1.4. Precautions for use

1.4.1. General



The equipment at your disposal is for professional use only. It must be used only for the purpose for which it was intended or designed.

Read all operating instructions and labels carefully before operating the equipment.

Personnel using this equipment must have been trained in its use.

The workshop manager must ensure that the operators have fully understood all the instructions and safety rules of this equipment and other elements and accessories of the installation.

Misuse or improper operation can cause serious injury.

Do not modify or transform the equipment. Parts and accessories must only be supplied or approved exclusively by **Sames**.

The equipment must be checked periodically. Defective or worn parts must be replaced.

Never exceed the maximum working pressures of the equipment components.

Always respect the laws in force regarding security, fire, electricity of the destination country of the equipment.

Only use products or solvents that are compatible with the parts in contact with the material (see material manufacturer's data sheet).

1.4.2. Safety devices



ATTENTION

Safety devices are set up for safe use of the equipment.

The manufacturer cannot be held responsible for any bodily injury as well as failures and / or damage to the equipment resulting from the destruction, hiding or total or partial removal of the safety devices.

1.4.3. Pressure hazards



Safety requires that a **pressure relief-air** shut-off valve must be installed in the pump motor supply system to release trapped air when the supply is shut off.

Without that precaution, residual air from the motor may cause the pump to operate and cause a serious injury.



Also, a **fluid drain valve** must be installed on the fluid system so that it can be drained (after shutting off motor air and decompressing it) before any operation on the equipment. These valves must remain closed for the air and opened for the fluid during the intervention.

1.4.4. Fire, explosion, static electricity hazards



Incorrect earthing, insufficient ventilation, flames or sparks can cause an explosion or fire which can lead to serious injury.

To avoid these risks, especially when using the pumps, it is imperative to:



- connect the equipment, the parts to be treated, the product and cleaning agent canisters to the ground,
- to ensure a good ventilation,
- keep the work area clean and free of rags, paper, solvents,
- do not operate electrical switches in the presence of vapors or during application,
- stop application immediately in the presence of electrical arcs,
- to store all liquids outside of the work areas,
- use products with the highest possible flash point to avoid any risk of formation of flammable gases and vapors (consult the safety data sheets of the products),
- equip drums with a lid to reduce the diffusion of gases and vapors in the cabin,
- the use of explosive products or gases is forbidden.
- during assembly and disassembly, transport to and from the site of use and maintenance, there is a risk of sparking due to friction, blows and friction or due to electrostatic charging. Therefore, make sure that these risks are eliminated during these work sequences or that you work in a non-explosive atmosphere.
- regularly clean the surface of the gun body and remove any dust or paint layers.

1.4.5. Toxic chemicals hazards



Toxic materials or vapors can cause serious injury through contact with the body, in the eyes, under the skin, but also by ingestion or inhalation. It is imperative:



- to know the type of material used and the dangers it represents,
- to store the materials to be used in appropriate areas,
- to contain the material used during the application in a container designed for this purpose,
- to dispose the materials in accordance with the legislation of the country where the equipment is used,
- to wear clothing and protection designed for this purpose,
- to wear goggles, hearing, gloves, shoes, coveralls and respiratory masks.



ATTENTION: The use of halogenated hydrocarbon solvents and products containing such solvents in the presence of aluminium or zinc is prohibited.

Failure to follow these instructions could result in an explosion hazard causing serious injury or death.

1.4.6. Hoses

Recommendations for hoses:

- Keep hoses away from traffic areas, moving parts and hot areas.
- Never subject the product hoses to temperatures above 60°C / 140°F or below 0°C / 32°F.
- Do not use the hoses to pull or move the equipments.
- Tighten all connections as well as the hoses and connectors before putting the equipment into operation.
- Check the hoses regularly and replace them if damaged.
- Never exceed the Maximum Working Pressure (MWP) stated on the hoses.
- For the assembly of the hoses and the gun: the wearing of PPE is mandatory.
- Tighten to the stop (Hoses and Gun).

1.4.7. Normal stop

To perform a normal stop:

- Use the air regulator to gradually depressurize the pump.

1.4.8. Materials used

Given the diversity of the materials implemented by the users and the impossibility of listing all the characteristics of chemical substances, their interactions and their evolution over time, **Sames** cannot be held responsible:

- Poor compatibility of the materials in contact,
- Inherent risks to personnel and the environment,
- Wear and tear, malfunctions, material or equipment malfunctions as well as the quality of the finished product.

The user shall identify and prevent from potential dangers inherent to the materials used, such as:

- Toxic vapors,
- Fires,
- Explosions.

It will determine the risks of immediate or repeated exposure reactions on personnel.

With respect to the materials and paints (liquid or powder) used with its equipment, **Sames** declines any responsibility, in case of:

- Physical or psychological injuries,
- Direct or indirect material damage due to the use of chemical substances.

1.5. Warnings



It is imperative that anyone with a pacemaker not use the equipment or enter the projection area. Indeed, high voltage can cause the pacemaker to malfunction.



This equipment may be dangerous if not used, disassembled and reassembled in accordance with the rules specified in this manual and any applicable European Standard or national safety regulations.



The proper operating of the equipment is guaranteed only with the use of original spare parts distributed by Sames.



In order to ensure optimum assembly, spare parts should be stored at a temperature close to their operating temperature. If not, a sufficient waiting time must be observed before installation, so that all parts are assembled at the same temperature.

1.5.1. Installation rules

Environment



Environmental risks must be controlled in the following manner:

- Have a qualified electrician check for ground continuity. If ground continuity is not assured, check the terminal, wire and grounding point. Never operate the equipment without resolving this problem.
- Using a conductive air hose (minimum internal Ø 6.5 mm), connect the gun to connect the gun to the air supply through a 0-6 bar/ 0-87 psi air regulator.
- The materials to be painted must also be 'grounded' by means of clamps with cables or, if they are suspended, by means of hooks that must remain clean at all times.
- Respect the average temperature of use of the equipment and products, which must be at least 5°C / 41°F below the flash point of the products and within a range of 0 to 40°C / 32° to 104°F.
- Ventilation of the area by forced extraction and supply of unpolluted air shall be mandatory during equipment use of cleaning operations.
- Fragile parts of the installation, and in particular the flexible hoses, must be protected from mechanical or thermal damage during production or maintenance.
- The waste related to the operations or the dismantling of the equipment will have to be treated according to the laws in force.
- The noise level of our equipment is limited to the maximum.
- However, the operators will have to be protected according to the global noise level of the environment.
- Depending on the operating conditions, the sound pressure of the equipment may cause hearing damage.
- Take appropriate measures to reduce noise pollution.
- Dispose of packaging materials in an environmentally friendly manner.



ATTENTION

Danger to personnel if improperly installed.

- The exact delimitation of the zones is the express responsibility of the user, depending on the products used, the environment of the equipment and the condition of use.
- Select the pump so that the fluid pressure delivered by the pump is appropriate for the type of gun selected.
- By means of an high pressure hose, connect the paint fitting on the gun to the pump. Tighten the fittings. firmly.
- The pressure resistance of the hose must be greater than or equal to the pressure delivered by the pump.
- In some special cases, if the air hose is non-conductive, the material hose must be conductive.
- It is imperative that one of the 2 hoses (air or material) of the gun is conductive.

1.6. Important recommendations

1.6.1. Non-intended use or foreseeable misuse

Any use other than the use described in the paragraph, 'Intended use' and in this operating manual, and any use that extends beyond the specified intended use, shall apply as non-intended use. The manufacturer shall not be liable damage resulting from non-intended use. This risk is borne solely by the user.

The following points describe improper or prohibited use:

- Conveyance of fluids that does not meet the product specification.
- Modify or alter the gun, in any way.
- Use a damaged gun.
- Use, maintenance, repair of the installation or commissioning of the gun by unauthorized, untrained personnel or by a private user.
- Use the gun without grounding,
- Use the gun outside the indicated parameters / service data.
- Use the gun in a place where there is a risk of ignition due to ignition sources in the vicinity of the gun.
- Failure to observe the maintenance intervals.
- Immerse the gun in solvents or aggressive products.
- Use the gun in Zone 0 gas or dust explosion hazard areas or use it in explosion hazard areas without the operator first implementing measures that comply with the requirements of Directive 2014/34/EU and current national explosion protection regulations.
- First start-up without prior inspection of the area and the gun by an authorized person.
- Use of products that are chemically incompatible with the materials used in the construction of the gun: the operator of the gun must check the chemical compatibility of the products conveyed.
- Use of products whose characteristics (e.g. ignition temperature) are not compatible with the gun identification.
- Bypassing safety devices of the gun.



**ATTENTION: Never wipe the end of the tip with the fingers.
Do not point the spraying gun at people or animals.
Always use the safety trigger lock when leaving the gun unattended.
Danger to personnel – Risk of product injection.**

1.6.2. Compressed air quality

Not applicable

1.6.3. Transport

The gun should only be transported in its original packaging to avoid transport damage.

1.6.4. Check the scope of delivery

- Remove the gun from its packaging.
- Dispose the packaging properly. Comply with the rules in force in your locality.
- Check that the gun has not been damaged during transport.
- Transport damage must be immediately communicated to the transport company and **Sames** in writing.
- Protect the gun from further damage.
- Use the packing slip to verify the completeness of the delivery.

1.6.5. Recommendation materials

- Our equipment must not be modified or used for purposes not intended. Any modification of the equipment made by the user and not authorized by **Sames** will result in loss of certification.
- Parts and accessories must be supplied or approved exclusively by **Sames**.

1.6.6. Storage conditions

Our equipment must be stored in its original packaging.

In the event of prolonged storage, it is advisable to carry out a preventive maintenance on all lubricants before commissioning.

Storage before installation:

- We recommend a storage temperature between +0°C / +32°F and +50°C / +122°F.
- Protect the unit from dust, water runoff, moisture, vibration and shock.
- Remove the packaging just before assembly.

Storage after installation:

- Protect the unit from dust, water runoff, moisture, vibration and shock.

1.6.7. Handling

Not applicable

1.7. Warranty

Sames grants a contractual warranty for a period of twelve (12) months from the date of availability to the customer provided that the conditions of use indicated in this technical manual are complied with.

In order to be implemented, the warranty claim must define precisely, in writing the malfunction in question, must be accompanied by the defective material and/or component and must include the conditions under which the customer acquired the material from **Sames**.

Sames will only accept or refuse the implementation of the warranty after analysis of the 'defective' material. The warranty granted by **Sames** is limited to the replacement of the material in its entirety or to the partial replacement of the defective component.

Sames will only bear the cost of the parts necessary to replace the defective material.

No warranty will be granted by **Sames**:

- For defects and deteriorations resulting from abnormal conditions of storage and/or conservation of the customer's premises or for maintenance or use of the equipment not conforming to the rules of art or not respecting the prescriptions of the present technical manual given to the customer by **Sames**,
- For defects and damage resulting from replacement parts not approved by **Sames** or which have been modified by the customer or in the event that the replacement of a component of the equipment by the customer would damage other elements.
- If the equipment is dismantled without prior agreement from the supplier's technical support,
- For all damages resulting from negligence or lack of supervision on behalf of the customer,
- In the event of normal wear and tear of the equipment and/or its components or in the event of deterioration or accident resulting from faulty and/or abnormal use thereof.

2. Description

2.1. General

Xcite®+ and Xcite®+ Light guns have an Airmix® finish:

- High transfer rate: up 86%,
- Designed to access hard-to reach areas.

Airmix® spray technology is the best compromise between productivity and finish quality for minimal product loss.

Xcite®+ and Xcite®+ Light guns are designed to spray:

- Varnishes,
- Lacquers,
- Shades,
- Solvent or water soluble materials,
- High dry extract,
- Polyurethanes,
- Two components.

Expected use

Airmix® spray technology is the best compromise between productivity and finish quality for minimal product loss.

- Simple design: easy to use and maintain.

Performance

- Large tip selection with dedicated X-tra Fine Finish tips for water-based material with wide choice of flow rates and fan width patterns.
- Job repeatability with our selection of tips that are individually tested to guarantee a consistent pattern.
- Unsurpassed finishing quality and outstanding transfer efficiency with VX24 HVLP aircap.
- Built-in filter with high filtration capacity to avoid tip blockage and minimize pressure loss.
- Diffuser and deflector embedded to decrease the atomizing air consumption and improve atomization.

Productivity

- Easy adjust aircap to facilitate the rotation of the head from horizontal to vertical spray.
- Fluid inlet with or without swivel fitting for low torque effort minimizing operator fatigue.
- Large amplitude of the fan width adjustment for time savings; no need to change the tip.
- Revised swivel conception for longer lifetime.
- Improved trigger design to ensure the operator's comfort.

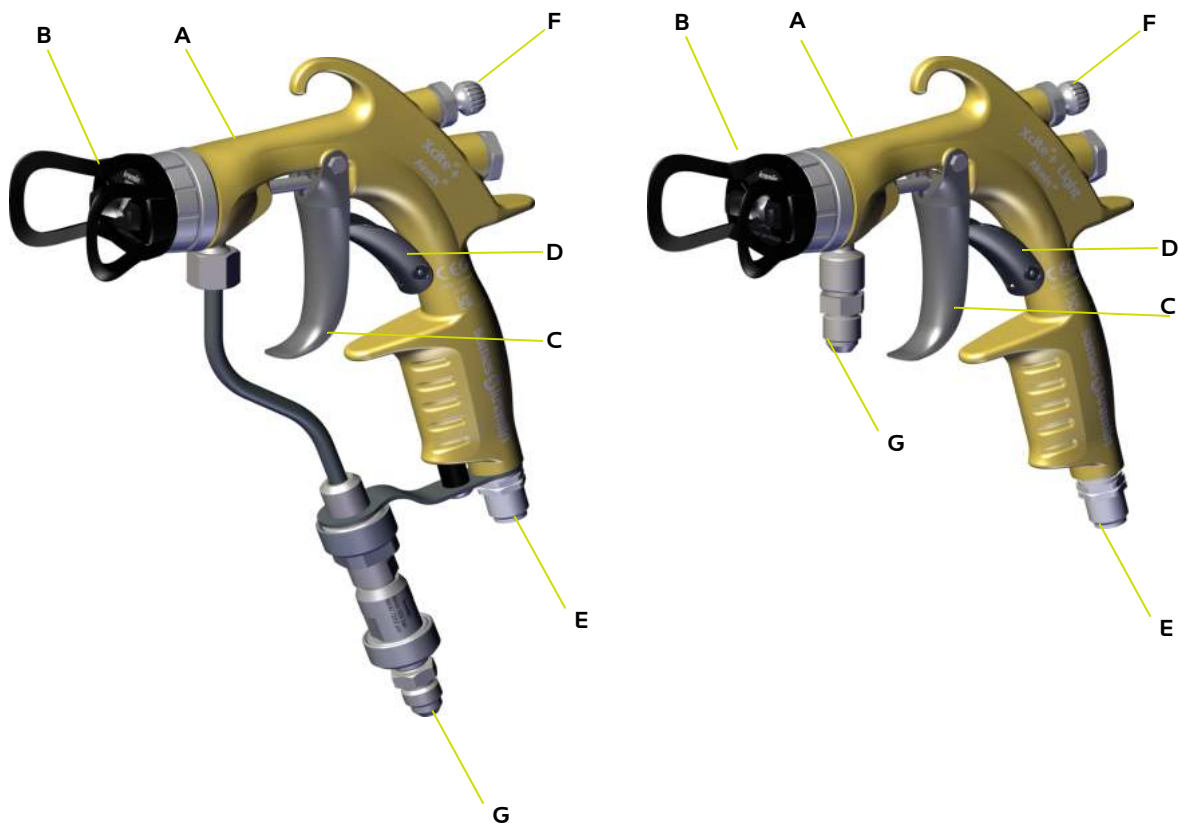
Sustainability

- Increased operator safety with trigger lock and aircap protection.
- Anodized body with laser engraving not affected by exposure to solvents.
- Construction built to last and compatible with all types of materials (even water-based with stainless steel fluid passage and Rulon® sealing).
- Double seal technology to prevent aircap leakage and paint return on the air circuit.

2.2. Function of the different components

Xcite®+

Xcite®+ Light

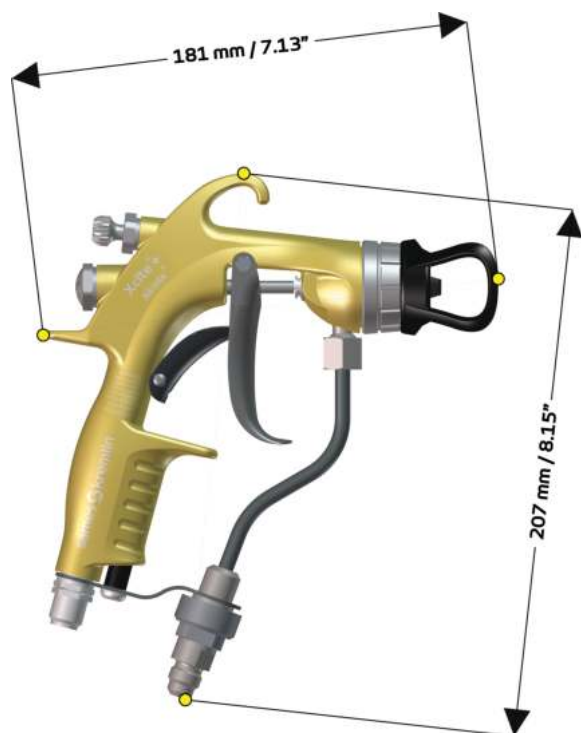


Benchmarks	Component	Function
A	Gun	Equipment for the application materials such as paints.
B	Spraying aircap	Equipment that allows to adjust the pressure and a material flow.
C	Trigger	Mechanical device that tilts under the action of the operator on the trigger, releases the material.
D	Safety lever	Equipment to block the operating of the trigger.
E	Air inlet fitting	Equipment that allows to connect an hose in order to supply air to the gun.
F	Adjustment needle	Equipment that allows to spray the material.
G	Fluid inlet fitting	Equipment that allows to connect an hose in order to supply material to the gun.

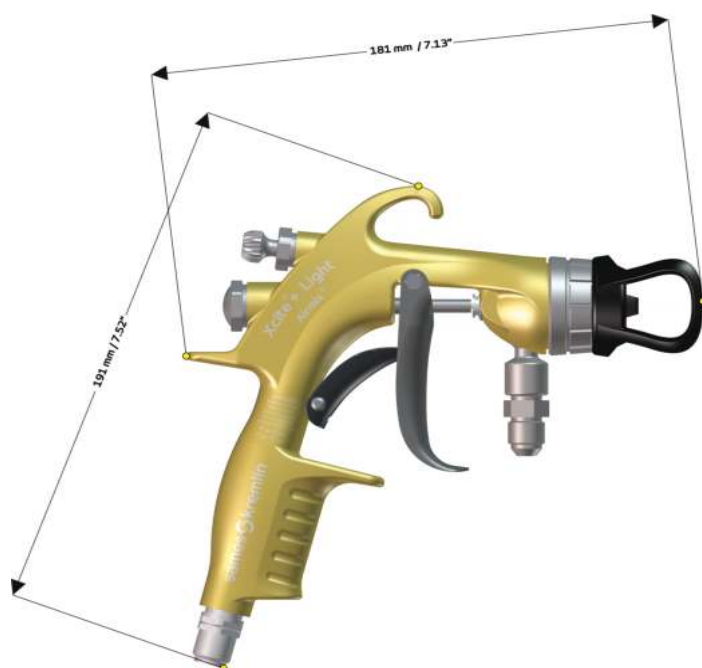
3. Technical features

3.1. Dimensions (mm/")

Xcite[®]+



Xcite[®]+ Light



3.2. Operating features

Weight		
	Xcite [®] +	385 g / 0.8 Lbs
	Xcite [®] + Light	579 g / 1.3 Lbs

	GUN		
	Xcite [®] +, Xcite [®] + Light 120 bar	Xcite [®] +, Xcite [®] + Light 240 bar	Xcite [®] + 400 bar
Maximum air supply pressure	6 bar / 87 psi		
Maximum fluid supply pressure	120 bar / 1740 psi	240 bar / 3480 psi	400 bar / 5800 psi
Fluid flow rate	Depending on the tip (see tip chapter)		
Maximum operating temperature	50°C / 122°F		
Air consumption (at 22°C / 71.6°F temperature) (with VX 124 K HVLP aircap) Air pressure = 1 bar / 14.5 psi at the gun handle Air pressure = 2 bar / 29 psi at the gun handle	4,8 m3/h 7,2 m3/h		
Transfer rate (*) according to EN 13966-1 standard	86 (±2%)		
Seat (removable)	Stainless steel	Tungsten carbide	
Materials in contact with the product	Stainless steel, PTFE		
Xcite [®] + fluid fitting	M 1/2 JIC		
Xcite [®] + Light fluid fitting	F 1/2 JIC		
Air fitting	M 1/4 NPS		
Safety system	Locking lever + tip protection		
Filtration	In line on product hose Screen n°6 mounted (not included Xcite [®] + Light)		
Weighted noise level pressure (LAeq) (under pressure/ with 09/094 tip /Air pressure at the gun handle = 1.5 bar / 14.5 psi)	80.7 dBa	82.5 dBa	83.8 dBa

(*) test condition		
	Material pressure = 60 bar / 870 psi	Viscosity = 25 s (CA 4) or 50 mPas.s
	Air pressure at the gun handle = 1.5 bar / 14.5 psi	Temperature = 25°C / 77° F
	Tip: 09/094	Relative humidity = 54%

3.3. Safety features

Not applicable

3.4. Operating principle

Not applicable

4. Schematics

Not applicable

5. Start-up

5.1. Tools



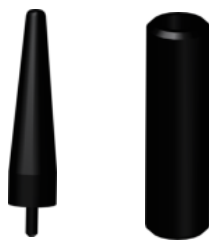
Part numbers	Description	Qty	Sales unit
554 180 010	Loctite 222 (50ml / 1.7 oz)	1	1
560 440 101	PTFE grease tube (10ml / 0.3 oz)	1	1



Part number	Description	Qty	Sales unit
906 300 101	Large size brush	1	1



Part number	Description	Qty	Sales unit
049 030 042	Gun wrench	1	1



Part number	Description	Qty	Sales unit
129 729 922	Tools kit	1	1
-	• Starter seal tool	1	-
-	• Seal installation tool	1	-
Part numbers	Description	Qty	Sales unit
	Unclogging needles (Box of 6 needles) for tips:		
000 094 000	• from 06 to 09	1	6
000 094 002	• > 09	1	6

Other tools and accessories required:

The tools listed below are recommended for installation and maintenance of the equipment:

- Pin driver,
- Flathead screwdriver,
- Hex key (4 mm),
- Flat wrench (5.5 mm),
- Fine brush.

5.1.1. Operating instructions

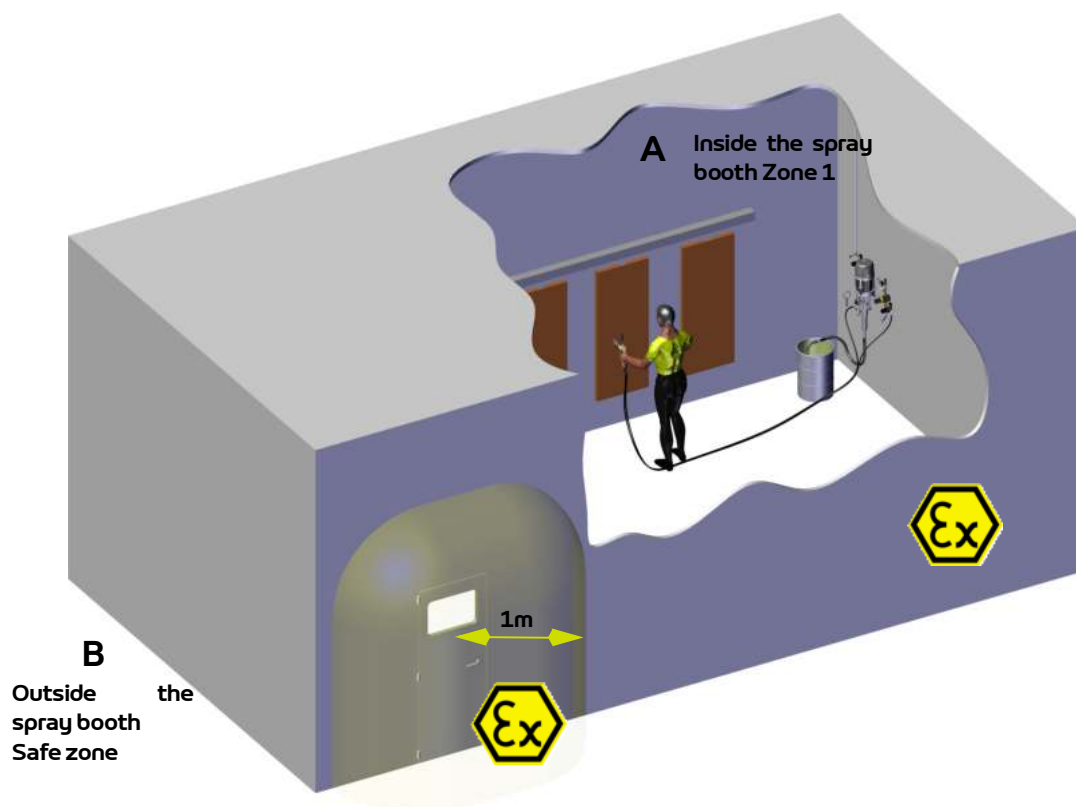


ATTENTION: Before any intervention, respect the health and safety instructions see § 1 page 6.

- Prepare the paint well filtered, correct viscosity.
- Consult the product data sheet.
- Connect the pump's air equipment to the compressed air network (clean and dry air, maximum air pressure = 6 bar / 87 psi).
- Connect the gun to the pump.
- Prime the paint pump.
- Take off the safety system to release the gun trigger.
- Point the gun at the pit of the booth.
- Trigger the gun until the paint comes out.
- Lock the safety system to secure the trigger.
- Select a tip on the tip chart.
- Make sure the inside of the tip has a tightness seal or a micro-screen.
- Install the tip inside the aircap making sure that the pins fit perfectly into the notches.
- Screw the tip-aircap assembly onto the gun.
Position the assembly to obtain a vertical or horizontal spray, before tightening strongly. The spray is horizontal when both ears of the aircap are horizontal.
- Unlock the safety system.
- Trigger the gun.
- Increase fluid pressure until the paint spray is well broken up.
Stop when the spray no longer improves.
- Adjust the spraying air pressure until the horns disappear.
- Put the gun on its adapted support.
- Clean with a brush and solvent if the head is slightly covered with paint.
- Do not use paint that will frequently clog the tip. Use well-filtered paints.
- Use clean and dry air.

5.2. Installation

Note: The equipments are tested in air and water to check the correct operation and the tightness of all components.



A - Zone 1 (Z1) or zone 2 (Z2) explosive zone: spray booth

B - Non-explosive zone



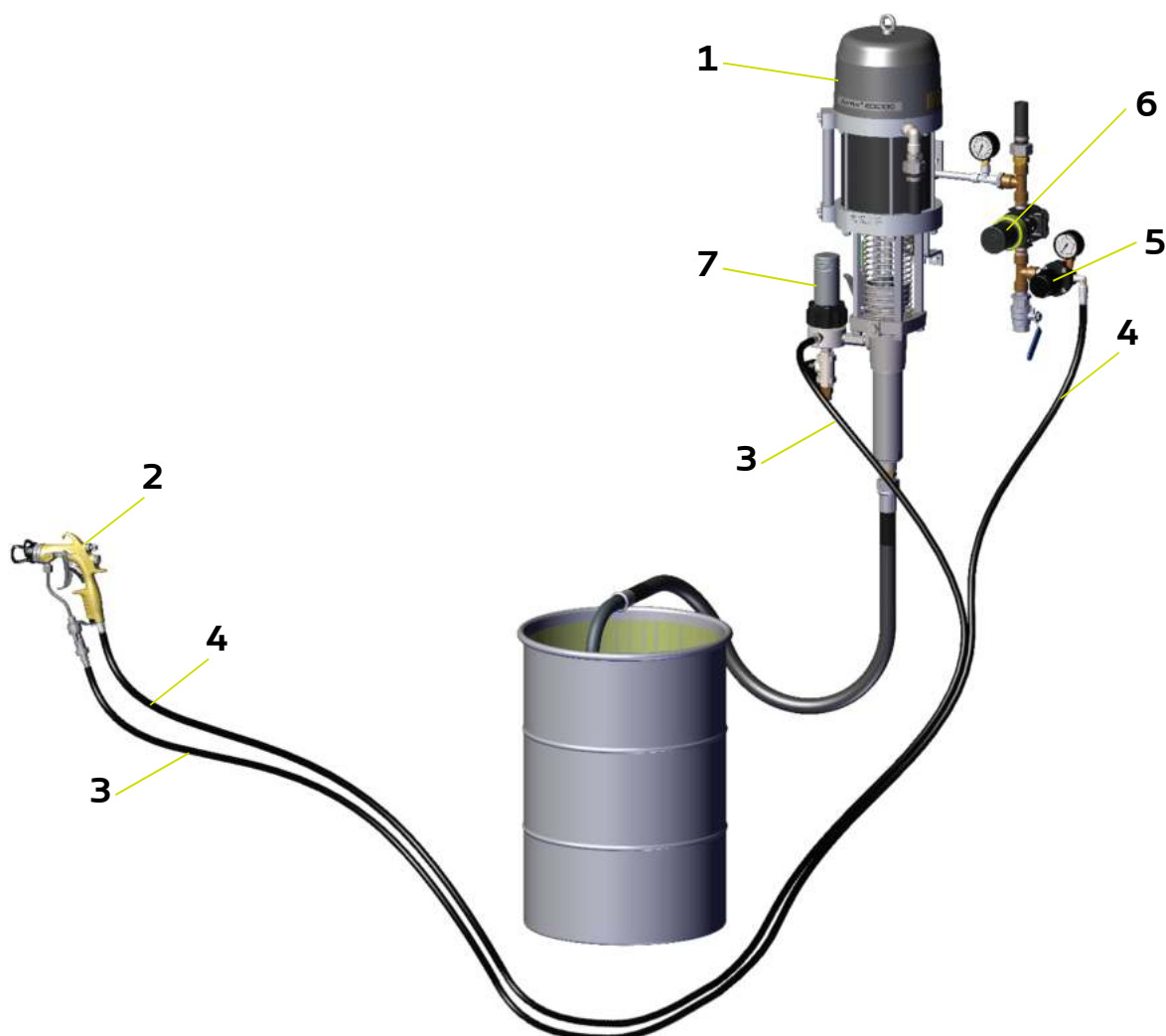
The 1 m / 39.37" distance indicated in this diagram is given as for information purposes only and hold harmless to Sames.

The exact delimitation of the zones is the express responsibility of the user, depending on the materials used, the environment and the conditions of use.

The 1 m / 39.37" distance can be modified if the analysis conducted by the user requires it.

By means of an antistatic hose, connect the gun to an air regulator capable of supplying at least 2 bar / 29 psi and a maximum of 6 bar / 87 psi.

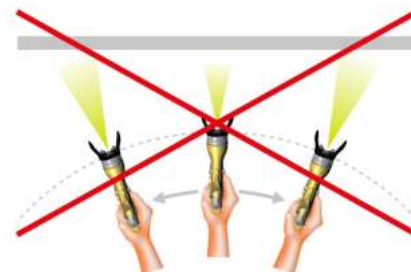
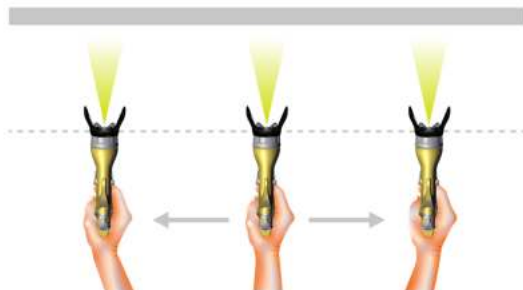
5.2.1. Installation diagram



Benchmarks	Description
1	Airmix [®] pump
2	Airmix [®] Xcite [®] + gun
3	Airmix [®] fluid hose
4	Conductive air hose
5	Air regulator (= spraying air)
6	Air regulator (= fluid pressure)
7	Airmix [®] fluid filter

5.3. Shutdown and start-up procedures

5.3.1. Handling



Always hold the gun perpendicular to the surface to be painted.
 Avoid working only with the wrist. Do not forget that cross passes do not make up for irregularities.
 Spraying with the gun stopped gives a local overload. Therefore, never pull the trigger before starting the arm movement and always release it before stopping the movement.
 Take care to obtain a suitable and regular coverage of the different passes.

5.3.2. Shutdown procedure of the gun



ATTENTION: Before any intervention, respect the health and safety instructions see § 1 page 6.

- Turn off the general air supply to the gun.
- Clean the gun.
- Turn off the fluid supply to the gun.
- Replace the paint with solvent.
- Relieve pressure on hoses by triggering the gun to flush pump, hose and gun.
- Disconnect the gun.
- Unscrew the gun aircap, soak it in the solvent and brush it.
- Unscrew the tip.
- Remove the needle.
- Soak the tip.
- Brush the tip.
- Clean the inside of the gun with the solvent soaked brush.
- Clean the threads of the screwed parts.
- Put the gun away.

6. Maintenance

Preventive maintenance is an inherent part of production and ensures the reliability of the installation. As a reminder, the performance of equipment can only be guaranteed if a minimum of control and cleaning operations are performed on this equipment.



Soiling and wear of the equipment depends on the operating and application conditions as well as the production rates.

Required qualification levels - interventions described

As the gun is easy to disassemble, this type of intervention can be carried out by a qualified technician, of average qualification, on the spot, with portable tools (wrench, screwdriver,...) defined by the maintenance instructions and the disassembly/reassembly procedures.

Wear personal protective equipment (PPE).

6.1. Maintenance summary table

The frequency of maintenance indicated in the procedures below is only indicative. The user will have to create his own range of maintenance as he uses the **Sames** equipment.

Procedure	Detail	Duration	Frequency	
Replacement				
Maintenance of the aircap (2) and of the tip (3)				
A	A1	Disassembly of the aircap (2) and of the tip (3)	15 s	Daily
	A2	Re-assembly of the aircap (2) and of the tip (3)	15 s	Daily
Maintenance of the seat-holder assembly (4)				
B	B1	Disassembly of the seat-holder assembly (4)	1 min 30 s	Weekly
	B2	Re-assembly of the seat-holder assembly (4)	1 min 15 s	Weekly
Maintenance of the needle assembly (7) and of the air valve (10)				
C	C1	Disassembly of the needle assembly (7) and of the valve (10)	1 min 50 s	Semestre
	C2	Re-assembly of the needle assembly (7) and of the valve (10)	1 min 50 s	Semestre
Maintenance of the fan adjustment valve (15)				
D	D1	Disassembly of the fan adjustment valve (15)	15 s	Semestre
	D2	Re-assembly of the fan adjustment valve (15)	15 s	Semestre
Maintenance of the trigger (5)				
E	E1	Disassembly of the trigger (5)	30 s	Annual
	E2	Re-assembly of the trigger (5)	30 s	Annual
Maintenance of the safety lever (5.5)				
F	F1	Disassembly of the safety lever (5.5)	15 s	Annual
	F2	Re-assembly of the safety lever (5.5)	15 s	Annual
Maintenance of the fluid tube assembly (21) (for Xcite[®]+))				
G	G1	Disassembly of the fluid tube assembly (21)	1 min 50 s	Semestre
	G2	Re-assembly of the fluid tube assembly (21)	1 min 50 s	Semestre
Maintenance of the fitting (16) (for Xcite[®]+ Light)				
H	H1	Disassembly of the fitting (16)	20 s	Semestre
	H2	Re-assembly of the fitting (16)	20 s	Semestre

(*)

Data for an average use of 8 hours per day.

The values are given for use without leakage or poor condition of the parts.

Adapt the frequency of maintenance according to the use.

6.2. Preventive maintenance plan – PMP 582221110

[see § 10.1 page 61](#)

The proposed preventive maintenance plan aims to define in an exhaustive way, the actions of checking, replacement and cleaning of the installed **Sames** equipment.

In order to anticipate breakdowns and malfunctions that may be due to technical deviations of the installation, the preventive maintenance plan annexed to the user's manual recalls the routine maintenance operations necessary for a better comfort in the use of the production tool.

Depending on the skills, area of responsibility and clearance of each person involved, the preventive maintenance plan can be divided into two distinct levels: level 1 and level 2:

- **Level 1:** first level maintenance is essentially composed of visual control and cleaning operations of some elements of the equipment. To limit this level, only the specific tools provided with the equipment will be used. This first level of maintenance is generally taken care of by paint operators or installation managers.
- **Level 2:** the second level maintenance completes the first level by more complex disassembly operations requiring electrical engineering tools. This second level is generally handled by the factory maintenance department.

6.3. Maintenance



ATTENTION: Before any intervention, respect the health and safety instructions see § 1 page 6.

Please refer to the Preventive Maintenance Plan see § 10.1 page 61 for more information.

6.3.1. Maintenance and monitoring periods

It is recommended to schedule a routine maintenance after a set number of hours of operation.

This is defined by the user's maintenance department and is based on the product, the work rate and the usual pressure.

The maintenance consists of replacing parts with cuts or wear and cleaning organs with compatible products without using abrasive materials that could damage them.

The O-rings are mounted with special 'pneumatic' grease. Make sure that none of them get damaged; cutting one of them may cause the gun to malfunction.

Be familiar with disassembly/reassembly procedures and spare parts.

6.3.2. Cleaning

It is recommended to clean the gun with compatible products without using abrasive materials that could damage it.



**ATTENTION: Never wipe the end of the tip with the fingers.
Always use the safety trigger lock when leaving the gun unattended.
Danger to personnel - Risk of product injection.**

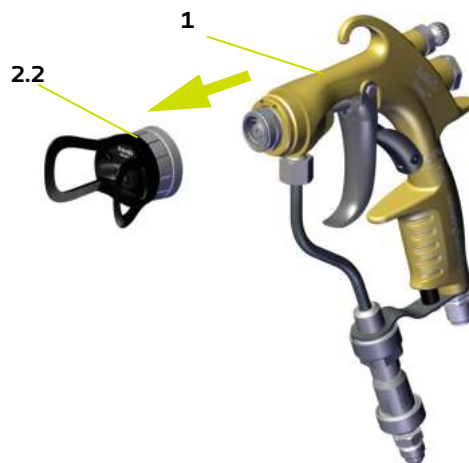
6.4. Replacement



ATTENTION: Before any intervention, carry out a pressure relief procedure see § 5.3.2 page 27 and follow the health and safety instructions see § 1 page 6.

6.4.1. Procedure A1: Disassembly of the aircap (2) and of the tip (3)

- **Step 1:**
Unscrew the aircap ring (2.2) from the gun body (1).

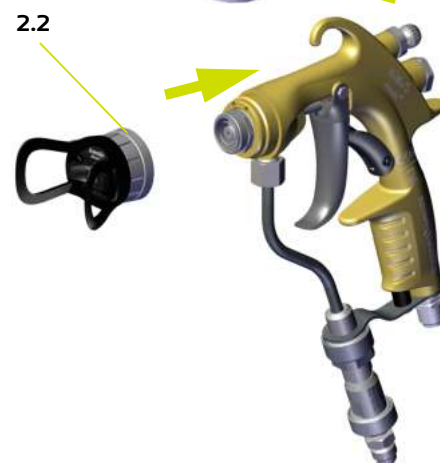


- **Step 2:**
Remove the tip (3) from the aircap (2).
- **Step 3:**
Clean and/or change the parts.



6.4.2. Procedure A2: Reassembly of the aircap (2) and of the tip (3)

- **Step 1:**
Install the tip (3) on the aircap (2).
- **Step 2:**
Tighten the aircap ring (2.2) on the gun body (1).



6.4.3. Procedure B1: Disassembly of the seat-holder assembly (4)

- **Step 1:**
Remove the aircap (2) from the gun body (1).



If the springs (7.1 & 10.1) are not removed, go to step 2, otherwise go to step 3.

- **Step 2:**
Press the trigger (5) to move the needle (7) back from the seat (4.7.2).
- **Step 3:**
Unscrew the seat-holder assembly (4) by means of the wrench supplied with the gun.
- **Step 4:**
Release the trigger (5).
- **Step 5:**
Check the condition of the parts and the seals (4.2, 4.3 and 4.4).
Change them if necessary.



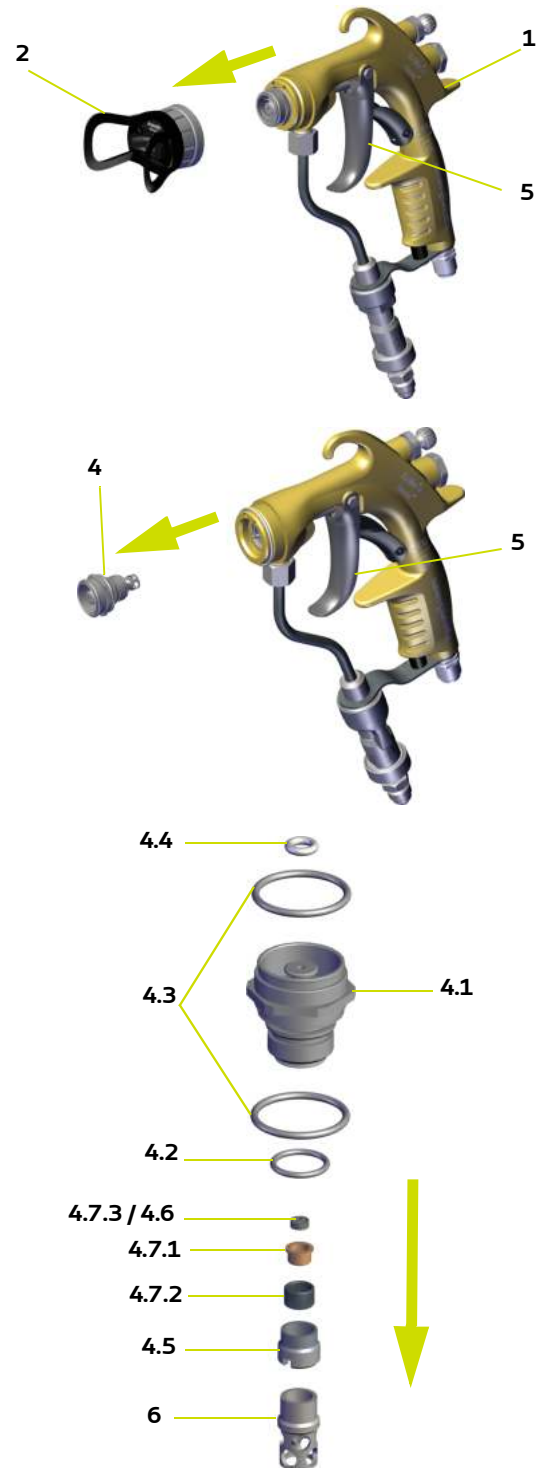
To change the seal, apply grease (PTFE) on the starter seal tool
Install the seal (4.4) on the starter seal tool.
Insert the seal (4.4) on the seat holder (4.1) by means of the seal installation tool.
NOTA: Starter seal tool and seal installation tool supplied in the kit part number 129 729 922.

- **Step 6:**
Unscrew the cartridge stop (6).
- **Step 7:**
Loosen the screw (4.5) with a screwdriver.



Be careful not to lose the diffusor (4.6) during disassembly

- **Step 8:**
Check the condition of the seat (4.7.2), of the seal (4.7.1) and of the diffusor (4.6 / 4.7.3).

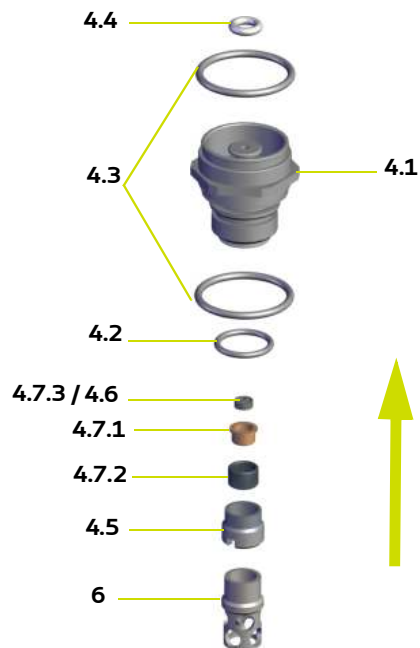


6.4.4. Procedure B2: Reassembly of the seat-holder assembly (4)



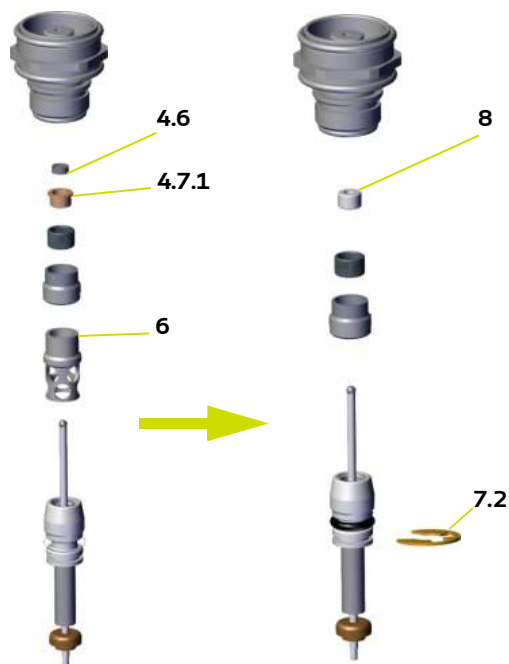
For reassembly, present the parts vertically.

- **Step 1:**
Reinstall the diffuser (4.6), the seal (4.7.1) and the seat (4.7.2).
- **Step 2:**
Screw in the screw (4.5).
Tightening torque: 2 Nm / 1.47 ft-lb.
- **Step 3:**
Screw in the cartridge stop (6) until it stops.



If the cartridge stop (6) and the diffuser (4.6) are not used, the circlip (7.2) must be used instead of the cartridge stop (6) and the seal (8) instead of the diffuser (4.6) and the seal (4.7.1).

Kit part number 129 732 080.

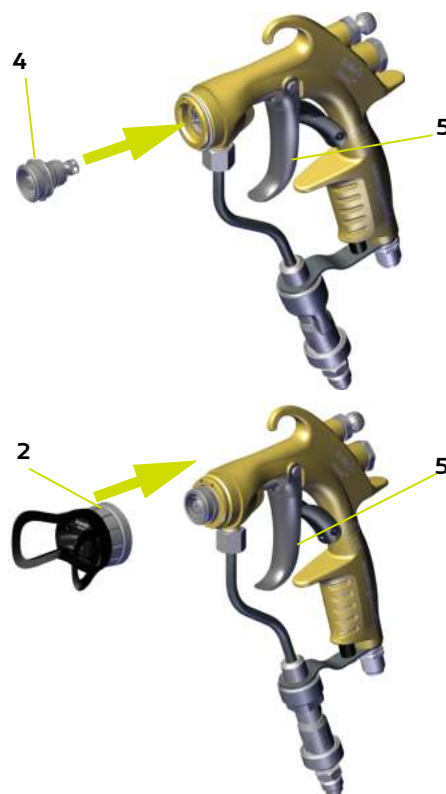


- **Step 4:**
Apply grease (PTFE) to the seat-holder assembly (4). threads.



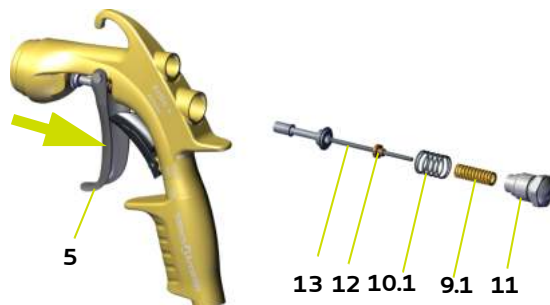
If the springs (7.1 & 10.1) are not removed, go to step 5, otherwise go to step 6.

- **Step 5:**
Press the trigger (5) to move the needle (7) back.
- **Step 6:**
Tighten the seat holder assembly (4) in the gun.
Tightening torque: 24 Nm / 17.7 ft-lb.
- **Step 7:**
Release the trigger (5).
- **Step 8:**
Screw the aircap (2) on the gun body (1).

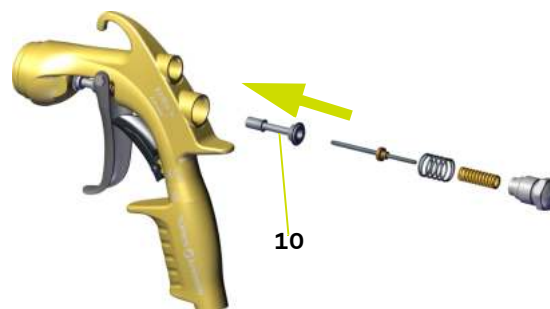


6.4.5. Procedure C1: Disassembly of the needle assembly (7) and of the air valve (10)

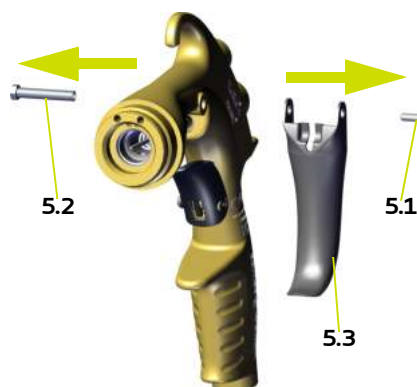
- **Step 1:**
Unscrew the needle stop sleeve (11) by means of the wrench.
- **Step 2:**
Remove the springs (7.1 & 10.1), the needle carrier (12) and the needle rod (13).
- **Step 3:**
Press the trigger (5).



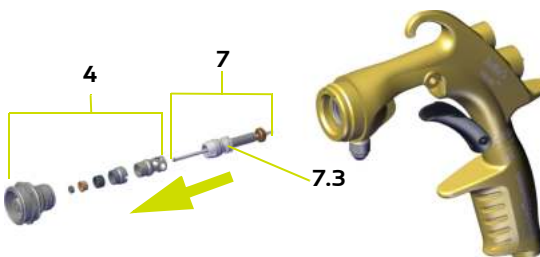
- **Step 4:**
Remove the air valve (10).



- **Step 5:**
Remove the screw (5.1) by means of a 5.5 mm wrench. Remove the trigger spindle (5.2).
- **Step 6:**
Remove the trigger (5.3).



- **Step 7:**
Remove the seat-holder assembly (4).
- **Step 8:**
Pull the needle assembly (7) toward the front of the gun with a pin punch.



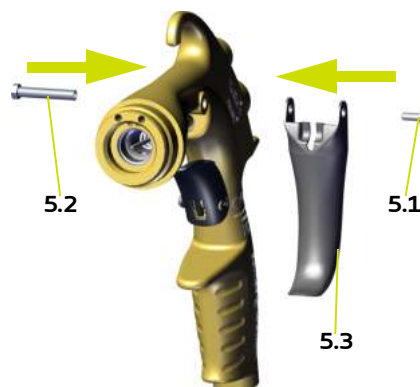
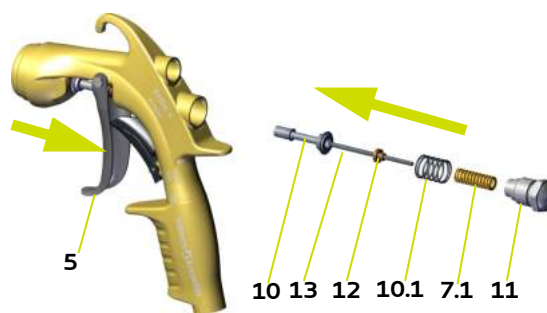
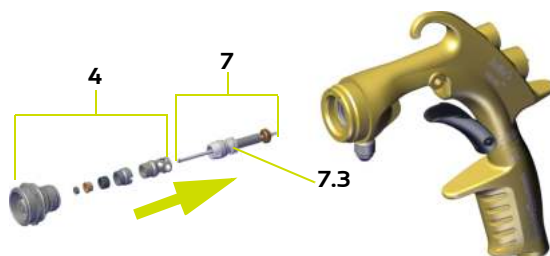
If necessary, change the seal (7.3) or the complete needle assembly (7).

6.4.6. Procedure C2: Reassembly of the needle assembly (7) and the air valve (10)



If necessary, change the seal (7.3) or the complete needle assembly (7).

- **Step 1:**
Lubricate (PTFE) the seal (7.3).
- **Step 2:**
Insert the new needle assembly (7) from the front.
- **Step 3:**
When mounting the seat-holder assembly (4), the needle assembly (7) must come to a stop.
- **Step 4:**
Grease (PTFE) springs (7.1 & 10.1), the needle rod (13), the air valve (10) and the needle stop thread (11).
- **Step 5:**
Install the air valve (10), the needle rod (13), the needle carrier (12) and the springs (7.1 & 10.1).
- **Step 6:**
Screw the needle stop thread (11).
Tightening torque: 10 Nm / 7.37 ft-lb.
- **Step 7:**
Apply glue (Loctite 222) on the screw thread (5.1).
Replace the trigger (5.3) and the trigger spindle (5.2).
- **Step 8:**
Tighten the screw (5.1).

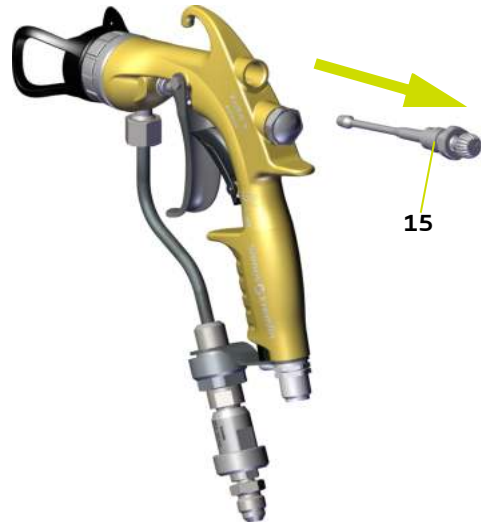


6.4.7. Procedure D1: Disassembly of the fan adjustment valve (15)



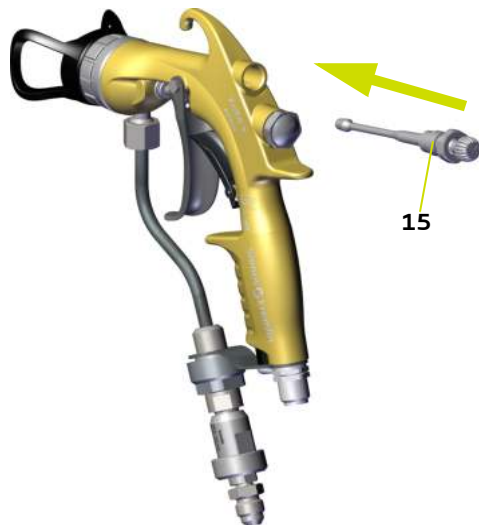
Before each installation or disassembly of the fan adjustment valve (15) in the gun, check that it is in the open position.

- **Step 1:**
Unscrew the fan adjustment valve (15) by means of the wrench supplied with the gun.



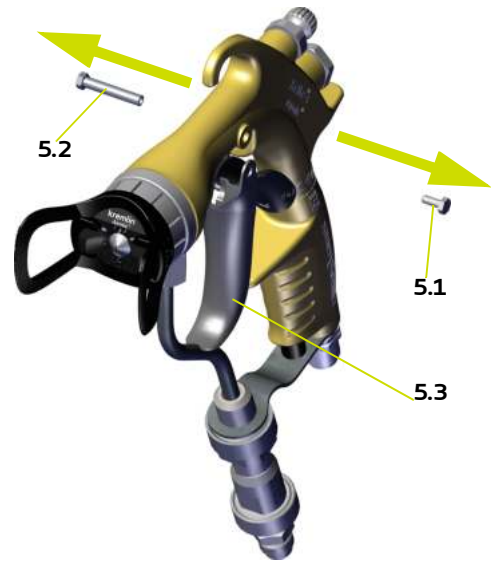
6.4.8. Procedure D2: Reassembly of the fan adjustment valve (15)

- **Step 1:**
Screw the new fan adjustment valve (15) by means of the wrench.
Tightening torque: 10 Nm / 7.37 ft-lb.



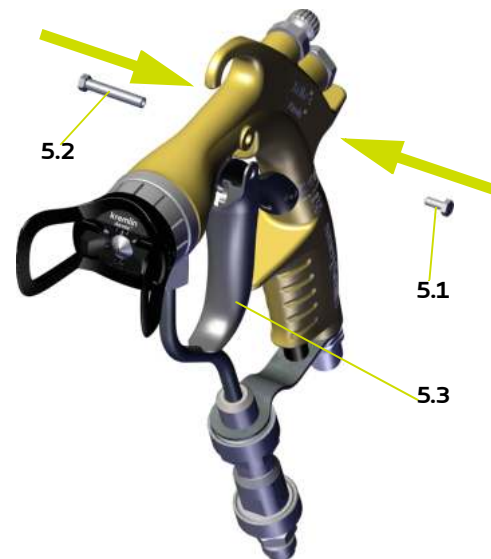
6.4.9. Procedure E1: Disassembly of the trigger (5)

- **Step 1:**
Loosen the screw (5.1) by means of a 5.5 mm wrench.
- **Step 2:**
Remove the trigger spindle (5.2).
- **Step 3:**
Remove the trigger (5.3).



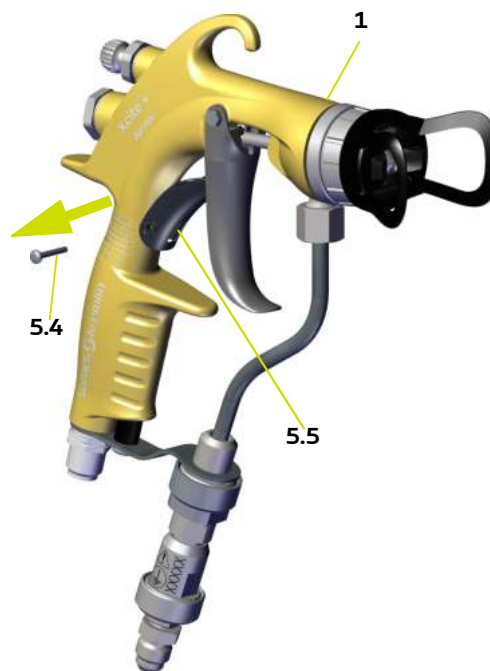
6.4.10. Procedure E2: Reassembly of the trigger (5)

- **Step 1:**
Apply glue (Loctite 222) to the screw thread (5.1).
- **Step 2:**
Place the trigger (5.3) and the trigger spindle (5.2).
- **Step 3:**
Tighten the screw (5.1).



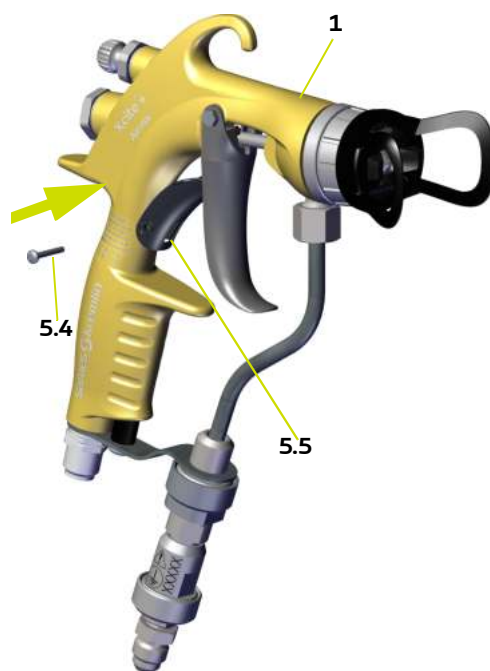
6.4.11. Procedure F1: Disassembly of the safety lever (5.5)

- **Step 1:**
Remove the pin (5.4) with a pin driver.
- **Step 2:**
Remove the safety lever (5.5) from the gun body (1).



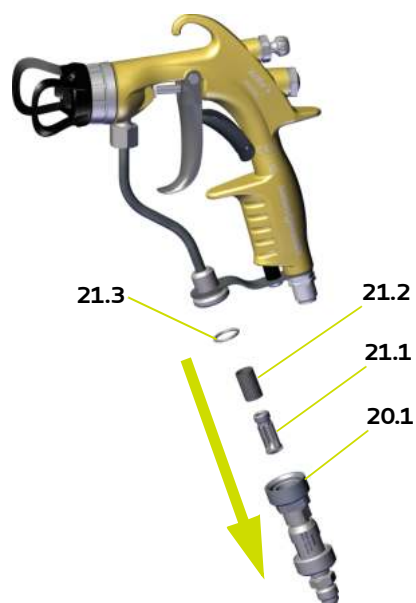
6.4.12. Procedure F2: Reassembly of the safety lever (5.5)

- **Step 1:**
Place the safety lever (5.5) in the gun body (1).
- **Step 2:**
Insert the pin (5.4).

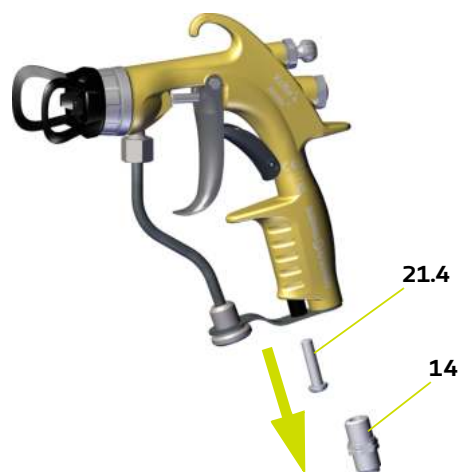


6.4.13. Procedure G1: Disassembly of the protective tube assembly (21)
(for Xcite[®]+ guns)

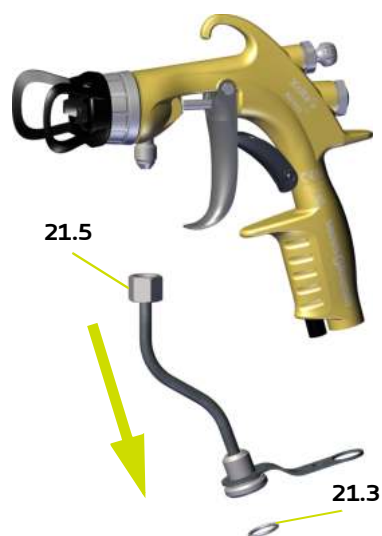
- **Step 1:**
Unscrew the nut (20.1) by means of the wrench supplied with the gun.
- **Step 2:**
Remove the screen support (21.1) and the screen (21.2).
- **Step 3:**
Remove the seal (21.3).



- **Step 4:**
Unscrew the fitting (14).
- **Step 5:**
Loosen the screw (21.4) with a 4 mm hex key.



- **Step 6:**
Unscrew the fluid tube (21.5).
- **Step 7:**
Check the condition of the parts as well as the seal (21.3). Change them if necessary.

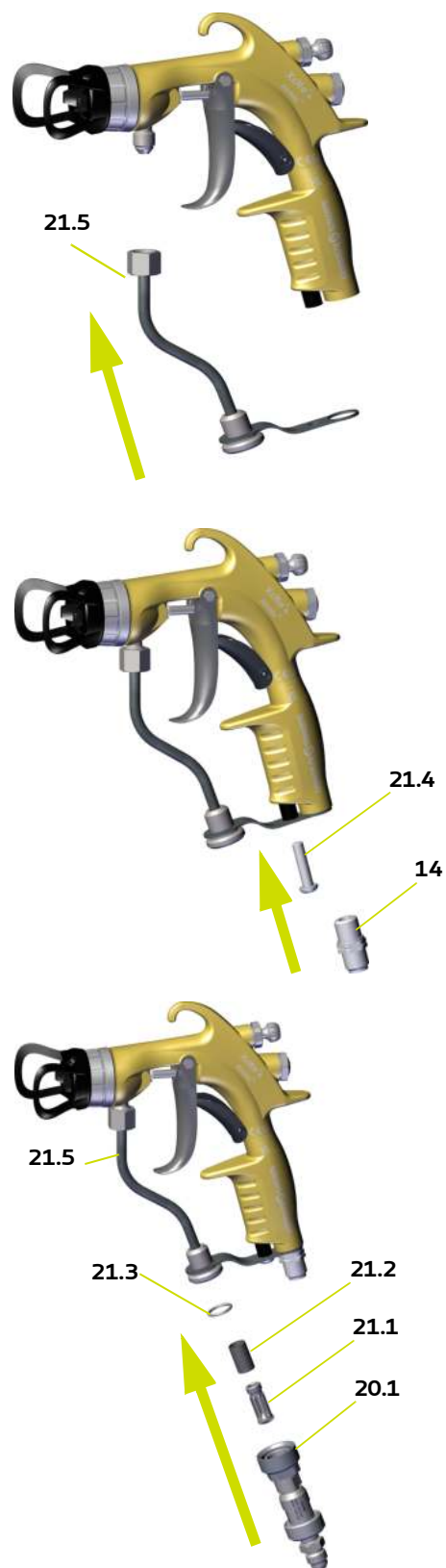


6.4.14. Procedure G2: Reassembly of the protective tube assembly (21)
(for Xcite[®] + guns)

- **Step 1:**
Screw the fluid tube (21.5).

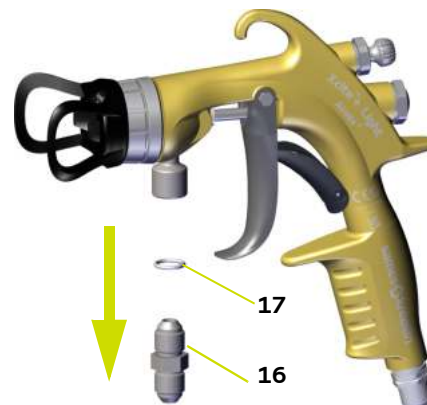
- **Step 2:**
Apply glue (Loctite 222) to the thread of the screw (21.4).
Screw it onto the body (1) of the gun.
- **Step 3:**
Apply glue (Loctite 222) to the thread of the fitting (14).
- **Step 4:**
Tighten the fitting (14) in the gun body (1).
Tightening torque: 10 Nm / 7.37 ft-lb.

- **Step 5:**
Insert the screen (21.2) onto the screen support (21.1).
- **Step 6:**
Place the seal (21.3).
Insert the screen support (21.1) into the protective tube (21.5).
- **Step 7:**
Tighten the nut (20.1) by means of the wrench supplied
with the gun.



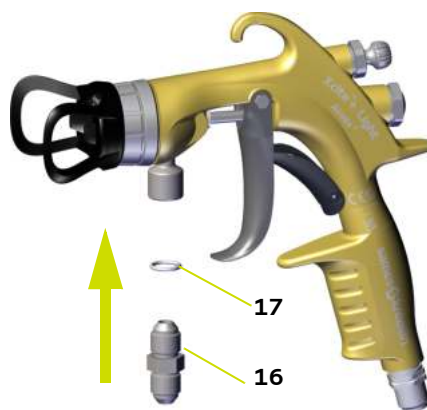
6.4.15. Procedure H1: Disassembly of the fitting (16) (for Xcite[®]+ Light guns)

- **Step 1:**
Unscrew the fitting (16).
- **Step 2:**
Remove the seal (17).
Check it and change it if necessary.



6.4.16. Procedure H2: Reassembly of the fitting (16) (for Xcite[®]+ Light guns)

- **Step 1:**
Place the seal (17).
- **Step 2:**
Screw the fitting (16).



7. Troubleshooting



ATTENTION: Before any intervention, carry out a pressure relief procedure see § 5.3.2 page 27 and follow the health and safety instructions see § 1 page 6.

- Turn off the air supply and decompress the fluid system by opening the gun.

Defaults	Possible causes	Remedies
The paint does not come out from the gun anymore	Tip and/or micro-screen partially or completely blocked.	Turn off the pressure on the pump. Depressurize the hoses correctly. Remove and clean the tip and the aircap with solvent using a brush and/or a draining needle. Check the condition of the seal and/or the micro-screen.
Deformed spray	Tip partially blocked. Air holes in the aircap partially blocked.	
Spray narrows at pump inversions	Clogged spray air inlet. Viscosity too high.	Blow with compressed air. Dilute the paint.
The aircap gets dirty frequently	Too much air.	Reduce the air pressure.
The paint comes out of the air holes of the aircap	Defective seal tip and/or micro-screen.	Replace it.
	Aircap not tight enough.	Tighten it.
Paint leakage at the needle cartridge	Worn needle cartridge.	Change the needle assembly.
Paint leakage at the front of the gun, trigger released	Badly closed needle, impurities in the paint.	Pull the trigger 3 or 4 times and let it return on its own.
	Worn out needle or/and worn out tip.	Change the needle assembly or/and the tip.
Air leakage from the valve	Worn valve.	Change the valve.
Permanent air leakage at the gun aircap when the trigger is released	Friction on the needle.	Remove the trigger and check that the needle slides freely.
	Worn valve.	Change the valve.
Important fog	Too much air.	Reduce the air pressure.

8. Spare parts List

The spare parts are classified into 2 distinct categories:

- **The 1st emergency parts:**

The 1st emergency parts are strategic elements which are not necessarily consumables but which in case of failure prohibit the operation of the machine.

Depending on the commitment of the painting line and the production rates imposed, the 1st emergency parts are not necessarily kept available in the customer's stock.

Indeed, if an interruption of the production flow is possible, storage is not necessary.

However, if a stop is not possible, the 1st emergency parts will be kept in stock.

- **Wear parts:**

Wear parts are consumable items such as O-rings that undergo regular degradation over time during normal operation of the installation. It is therefore advisable to replace them according to a defined frequency and adapted to the operating time of the installation.

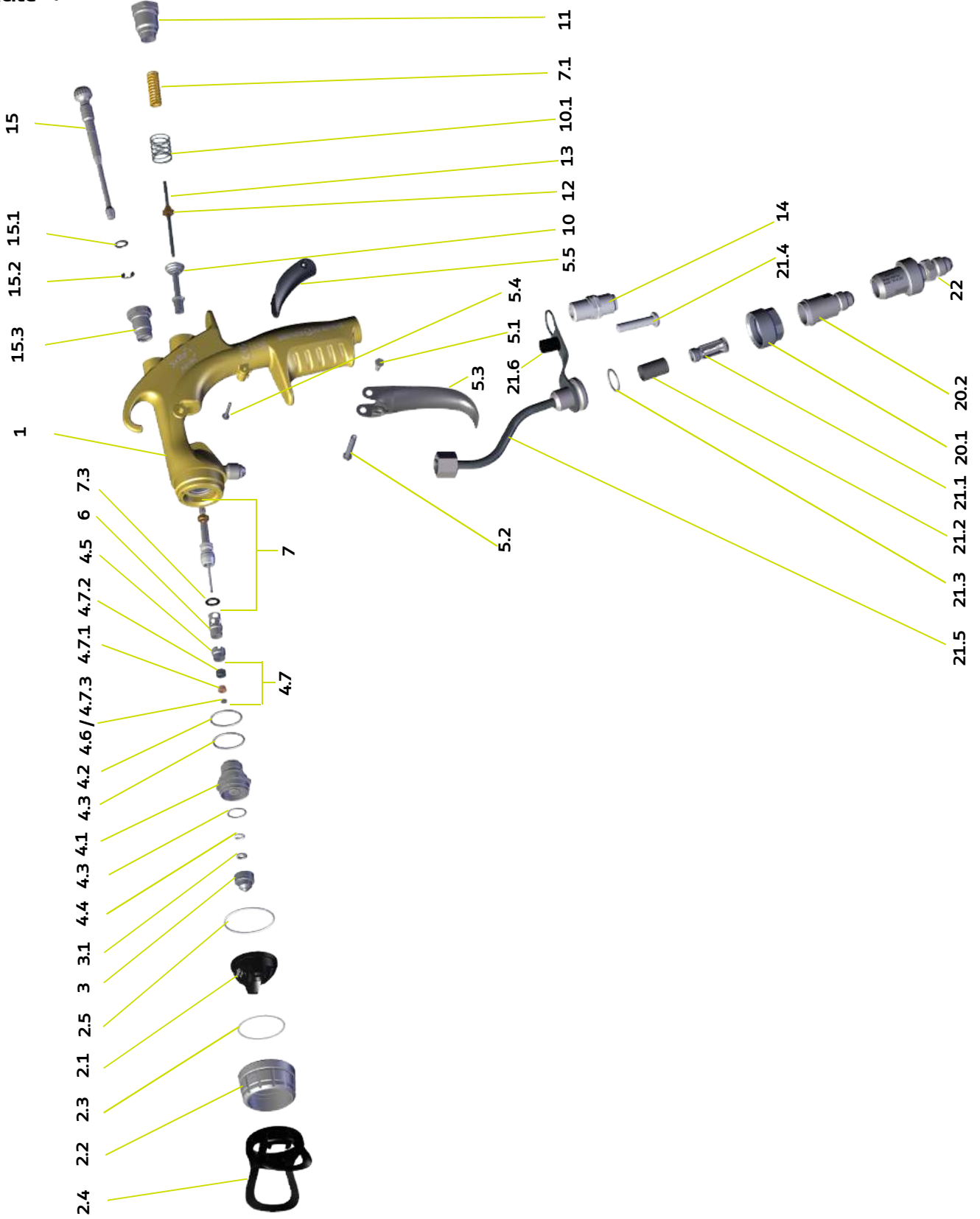
The wearing parts must therefore be kept in the customer's stock.



In order to ensure optimum assembly, spare parts should be stored at a temperature close to their operating temperature. If not, a sufficient waiting time must be observed before installation, so that all parts are assembled at the same temperature.

8.1. Guns

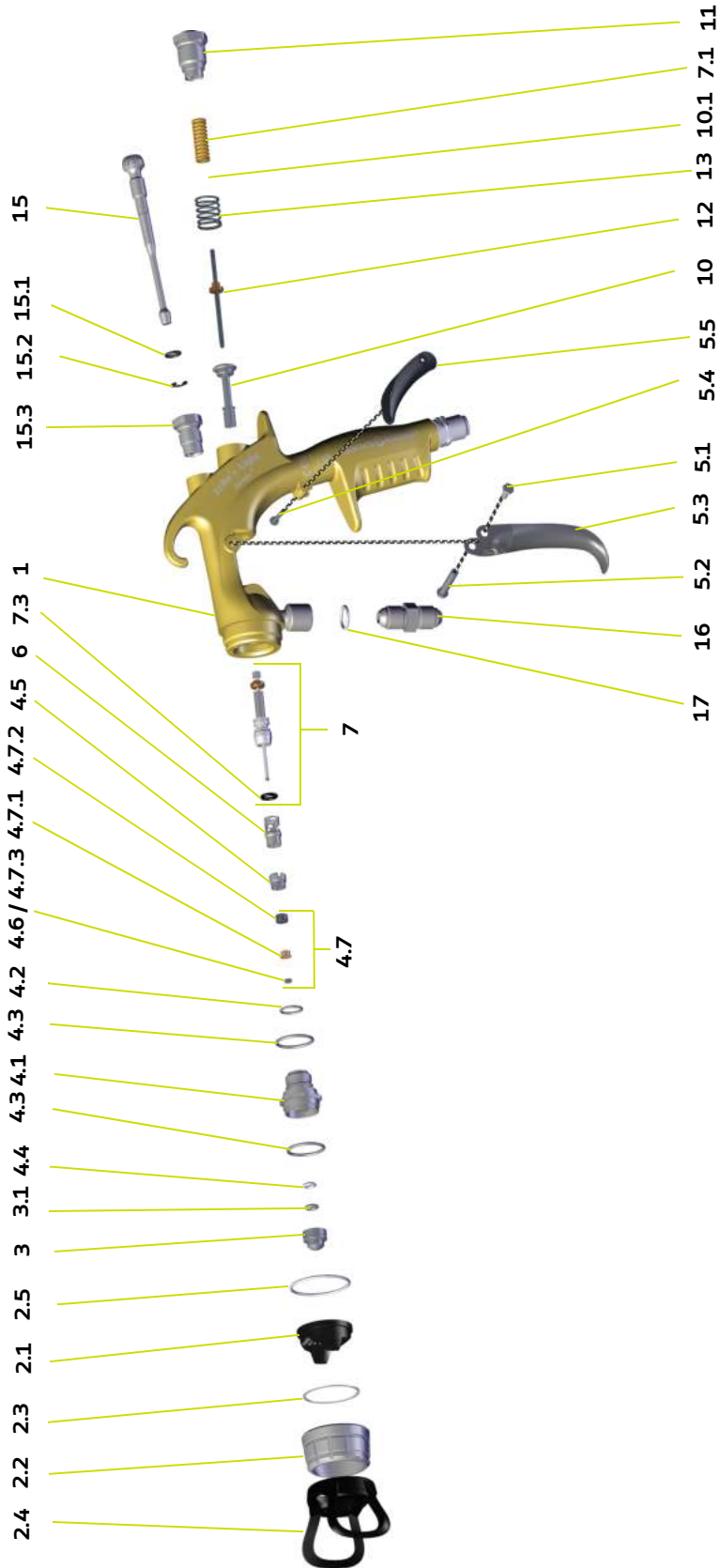
Xcite®+



Xcite[®]+

Item	Part number	Description	Qty	Sales unit	Spare parts level (*)
-	135 732 100	Xcite [®] + Airmix [®] Gun 120 bar / 1740 psi with VX24 KHVLP aircap with swivel fitting	1	1	-
-	135 732 120	Xcite [®] + Airmix [®] Gun 120 bar / 1740 psi with VX24 KHVLP aircap without swivel fitting	1	1	-
-	135 732 200	Xcite [®] + Airmix [®] Gun 240 bar / 3480 psi with VX24 KHVLP aircap with swivel fitting	1	1	-
-	135 732 220	Xcite [®] + Airmix [®] Gun 240 bar / 3480 psi with VX24 KHVLP aircap without swivel fitting	1	1	-
-	135 732 400	Xcite [®] + Airmix [®] Gun 400 bar / 5800 psi with VX24 KHVLP aircap with swivel fitting	1	1	-

Xcite®+ Light



Xcite[®]+ Light

Item	Part number	Description	Qty	Sales unit	Spare parts level (*)
-	135 733 120	Xcite [®] + Light Airmix [®] Gun 120 bar / 1740 psi with VX24 KHVLP aircap adjustable spray	1	1	-
-	135 733 220	Xcite [®] + Light Airmix [®] Gun 240 bar / 3480 psi with VX24 KHVLP aircap adjustable spray	1	1	-

8.1.1. Wear part numbers

Guns common parts

Item	Part number	Description	Qty	Sales unit	Spare parts level (*)
1	-	Gun body assembly	1	0	-
2	132 720 020	Airmix[®] aircap VX24 KHVLP equipped	1	1	1
2.1	-	• Aircap	1	0	-
2.2	-	• Ring	1	0	-
2.3	129 720 075	• Seal, aircap (package of 2)	1	1	1
2.4	132 720 003	• Tip protection for Airmix [®] Xcite [®] aircap (package of 3)	1	1	1
2.5	150 040 330	• Seal, ring (package of 10)	1	1	1
4	129 732 907	Seat-holder assembly Xcite[®] + (without seat)	1	1	-
4.1	-	• Seat-holder	1	0	-
4.2	129 729 913	• Thread protection seal (package of 10)	1	1	1
4.3	150 040 329	• O-Ring (package of 10)	2	1	1
4.4	129 729 912	• Aircap seal on Xcite [®] seat holder (package of 5)	1	1	1
4.5	029 600 106	• Screw for seat	1	1	-
4.6	129 740 910	• Diffusor (package of 10)	1	1	1
5	129 725 909	Trigger + safety lever Xcite[®] Light	1	1	1
5.1	-	• Screw, HM 3x8, stainless steel	1	0	-
5.2	-	• Spindle, trigger	1	0	-
5.3	-	• Trigger	1	0	-
5.4	-	• Pin	1	0	-
5.5	-	• Safety lever	1	0	-
6	129 733 211	Xcite [®] + cartridge stop (package of 5)	1	1	1
10	129 720 030	Air valve assembly	1	1	1
10.1	050 311 321	• Valve spring	1	1	-
12	-	Needle carrier	1	0	-
13	-	Needle rod	1	0	-
14	050 102 624	Air fitting, M 1/4 NPS stainless steel	1	1	-
15	129 720 020	Xcite[®] assembled air needle	1	1	1
15.1	150 040 328	• O-Ring (package of 10)	1	1	1
15.2	102 202 101	• Ring Ø 5 (package of 10)	1	1	1
15.3	-	• Air needle sleeve	1	0	-

(*)

Level 1: 1st emergency parts

Level 2: Wear parts

Specific parts for Xcite[®]+ Gun

Item	Part number	Description	Qty	Sales unit	Spare parts level (*)
20	129 520 370	Cup and nut assembly	1	1	-
20.1	029 520 306	• Nut	1	1	-
20.2	029 520 372	• Filter body	1	1	-
21	129 720 085	Assembled product tube without tank Xcite[®]	1	1	-
21.1	029 720 083	• Screen support	1	1	-
21.2	129 609 908	• Screen n°6 (package of 5)	1	1	1
21.3	129 529 918	• Seal PTFE (package of 10)	1	1	1
21.4	934 081 332	• Screw stainless steel	1	1	-
21.5	-	• Protective tube	1	0	-
21.6	029 670 072	• Spacer	1	1	-

(*)

Level 1: 1st emergency parts

Level 2: Wear parts

Specific parts for Xcite[®]+ Light Gun

Item	Part number	Description	Qty	Sales unit	Spare parts level (*)
16	905 210 709	Stainless steel fitting, double male 1/2 JIC 500 bar / 7252 psi	1	1	-
17	129 209 902	Seal, tip (package of 5)	1	1	1

(*)

Level 1: 1st emergency parts

Level 2: Wear parts

Specific parts for Xcite®+ Gun 120 bar / 1740 psi & Xcite®+ Light Gun 120 bar / 1740 psi

Item	Part number	Description	Qty	Sales unit	Spare parts level (*)
11	-	Sleeve, needle stop (120 bar / 1740 psi)	1	0	-
4.7	129 740 909	Seat with seal, stainless steel (package of 2)	1	1	1
4.7.1	129 740 911	• Seal, seat (package of 10)	1	1	1
4.7.2	-	• Stainless steel seat	1	0	1
4.7.3	129 740 910	• Diffusor (package of 10)	1	1	1
7	129 720 150	Needle assembly Xcite® 120 bar / 1740 psi with spring	1	1	1
7.1	129 729 914	• Xcite® fluid needle spring (120 bar / 1740 psi) (package of 5)	1	1	1
7.2	102 202 113	• Ring Ø 8 (package of 10)	1	1	1
7.3	109 420 298	• Cartridge seal FKM (package of 10)	1	1	1
7.4	-	• Needle	1	0	-

(*)

Level 1: 1st emergency parts

Level 2: Wear parts

Specific parts for Xcite®+ Gun 240 bar / 3480 psi & Xcite®+ Light Gun 240 bar / 3480 psi

Item	Part number	Description	Qty	Sales unit	Spare parts level (*)
11	-	Sleeve, needle stop (240 bar / 3480 psi)	1	0	-
4.7	129 740 908	Seat with seal, carbide (package of 2)	1	1	1
4.7.1	129 740 911	• Seat seal (package of 10)	1	1	1
4.7.2	-	• Carbide seat	1	0	1
4.7.3	129 740 910	• Diffusor (package of 10)	1	1	1
7	129 732 250	Needle assembly Xcite® + 240 bar / 3480 psi	1	1	1
7.1	129 732 915	• Fluid spring for Xcite® + 240 bar / 3480 psi (package of 5)	1	1	1
7.2	102 202 113	• Ring Ø 8 (package of 10)	1	1	1
7.3	109 420 298	• Cartridge seal, FKM (package of 10)	1	1	1
7.4	-	• Needle	1	0	-

(*)

Level 1: 1st emergency parts

Level 2: Wear parts

Specific parts for Xcite[®]+ Gun 400 bar / 5800 psi

Item	Part number	Description	Qty	Sales unit	Spare parts level (*)
11	-	Sleeve, needle stop (400 bar / 5800 psi)	1	0	-
4.7	129 740 908	Seat with seal, carbide (package of 2)	1	1	1
4.7.1	129 740 911	• Seat seal (package of 10)	1	1	1
4.7.2	-	• Seat, Carbide	1	0	1
4.7.3	129 740 910	• Diffusor (package of 10)	1	1	1
7	129 720 450	Needle assembly 400 bar / 5800 psi	1	1	1
7.1	129 729 916	• Needle spring (400 bar / 5800 psi) (package of 5)	1	1	1
7.2	102 202 113	• Ring Ø 8 (package of 10)	1	1	1
7.3	109 420 298	• Cartridge seal, FKM (package of 10)	1	1	1
7.4	-	• Needle	1	0	-

(*)

Level 1: 1st emergency parts

Level 2: Wear parts

Specific parts for Xcite[®]+ Guns with swivel fitting

Item	Part number	Description	Qty	Sales unit	Spare parts level (*)
22	129 732 425	Swivel fitting MF 1/2 JIC (500 bar / 7252 psi)	1	1	1

(*)

Level 1: 1st emergency parts

Level 2: Wear parts

8.1.2. References spare parts or repair kits

8.1.2.1. Repair kits

Guns common repair kits

Part number	Description	Qty	Sales unit	Spare parts level (*)
129 732 909	Repair kit - Xcite [®] + and Xcite [®] + Light trigger (item 5.1, 5.2, 5,3)	1	1	1 - 2
129 729 919	Repair kit - 5 pins and 5 safety levers (item 5.4, 5.5)	1	1	1 - 2

(*)

Level 1: 1st emergency parts

Level 2: Wear parts

Specific repair kits for Xcite[®] + Gun 120 bar / 1740 psi

Part number	Description	Qty	Sales unit	Spare parts level (*)
129 729 910	Repair kit - rear line Xcite [®] 120 bar / 1740 psi (item 9.1, 11, 12, 13)	1	1	1 - 2
129 729 920	Repair kit Xcite [®] 120 bar / 1740 psi (item 5.1, 5.2, 5.4, 5.5, 8 / 7.2, 7.1, 7.4, 10, 10.1, 15, 21.2)	1	1	1 - 2

(*)

Level 1: 1st emergency parts

Level 2: Wear parts

Specific repair kits for Xcite[®] + Gun 240 bar / 3480 psi

Part number	Description	Qty	Sales unit	Spare parts level (*)
129 732 911	Repair kit - rear line Xcite [®] + 240 bar / 3480 psi (item 7.1, 11, 12, 13)	1	1	1 - 2
129 732 921	Repair kit Xcite [®] + 240 bar / 3480 psi (item 5.1, 5.2, 5.4, 5.5, 7.1, 7.4, 10, 10.1, 15, 21.2)	1	1	1 - 2

(*)

Level 1: 1st emergency parts

Level 2: Wear parts

Specific repair kits for Xcite[®] + Gun 400 bar / 5800 psi

Part number	Description	Qty	Sales unit	Spare parts level (*)
129 729 918	Repair kit - rear line Xcite [®] + 400 bar / 5800 psi (item 7.1, 11, 12, 13)	1	1	1 - 2
129 729 943	Repair kit Xcite [®] + 400 bar / 5800 psi (item 5.1, 5.2, 5.4, 5.5, 8 / 7.2, 7.1, 7.4, 10, 10.1, 15, 21.2)	1	1	1 - 2

(*)

Level 1: 1st emergency parts

Level 2: Wear parts

Specific repair kits for Xcite[®] + Light Gun 120 bar / 1740 psi

Part number	Description	Qty	Sales unit	Spare parts level (*)
129 729 910	Repair kit - rear line Xcite [®] 120 bar / 1740 psi (item 7.1, 11, 12, 13)	1	1	1 - 2
129 733 925	Repair kit Xcite [®] + Light 120 bar / 1740 psi (item 5.1, 5.2, 5.4, 5.5, 7.1, 7.4, 10, 10.1, 15, 17, 21.2)	1	1	1 - 2

(*)

Level 1: 1st emergency parts

Level 2: Wear parts

Specific repair kits for Xcite[®] + Light Gun 240 bar / 3480 psi

Part number	Description	Qty	Sales unit	Spare parts level (*)
129 732 911	Repair kit - rear line Xcite [®] + 240 bar / 3480 psi (item 7.1, 11, 12, 13)	1	1	1 - 2
129 733 924	Repair kit Xcite [®] + Light 240 bar / 3480 psi (item 5.1, 5.2, 5.4, 5.5, 7.1, 7.4, 10, 10.1, 15, 17, 21.2)	1	1	1 - 2


(*)

Level 1: 1st emergency parts

Level 2: Wear parts

8.1.2.2. Seal kits

Guns common seal kits

Part number	Description	Qty	Sales unit	Spare parts level (*)
129 732 080	Seals and rings kit (item 8 / 7.2)  Use that kit only if the cartridge stop and the diffusor are not used. see § page 34	1	1	1 - 2
129 729 908	Xcite [®] air seal kit (item 2.3, 2.5, 4.3, 15.1, 15.2)	1	1	1 - 2

(*)

Level 1: 1st emergency parts

Level 2: Wear parts

Specific seal kit for Xcite[®] + Guns 120 bar / 1740 psi & 240 bar / 3480 psi

Part number	Description	Qty	Sales unit	Spare parts level (*)
129 729 901	Xcite [®] fluid seal kit (item 3.1, 3.2, 4.2, 4.4, 4.7.1, 8 / 7.2, 7.3, 21.3)	1	1	1 - 2

(*)

Level 1: 1st emergency parts

Level 2: Wear parts

Specific seal kit for Xcite[®] + Gun 400 bar / 5800 psi

Part number	Description	Qty	Sales unit	Spare parts level (*)
129 729 941	Xcite [®] 400 bar / 5800 psi fluid seal kit (item 3.1, 3.2, 4.2, 4.4, 4.7.1, 8 / 7.2, 7.3, 21.3)	1	1	1 - 2

(*)

Level 1: 1st emergency parts

Level 2: Wear parts

Specific seal kit for Xcite[®] + Light Gun

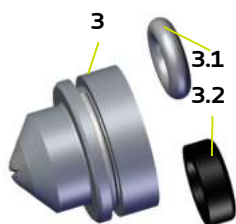
Part number	Description	Qty	Sales unit	Spare parts level (*)
129 733 926	Xcite [®] + Light fluid seal kit (item 3.1, 3.2, 4.2, 4.4, 4.7.1, 8 / 7.2, 7.3, 17)	1	1	1 - 2

(*)

Level 1: 1st emergency parts

Level 2: Wear parts

8.1.2.3. Tips



Item	Part number	Description	Qty	Sales unit	Spare parts level (*)
3	134 5xx xxx	Tip	1	1	1 - 2
3.1	129 529 903	Airmix® tip seal (package of 10) - Only for tips size 09 and above	1	1	1 - 2
3.2	129 609 901	Microfilter n°4 / 100µ for tip (package of 10) - Only for tips size 03, 04 and 06	1	1	1 - 2

(*)
Level 1: 1st emergency parts
Level 2: Wear parts

Tip chart (Tips with stainless steel insert-holder)
 Standard tips

Size	Ø mm	Water output (l/mm)				Mesh number for filter		Spray fan width at 25 cm / 10"									
		Pressure (bar/psi)				Gun	Pump	With aircap									
		35 bar/500 psi	70 bar/1000 psi	120 bar/1740 psi	200 bar/2900 psi			Maximum (cm)					Maximum (°)				
								9	12	17	21	25	29	33	37	44	56
								3.5	4.7	6.7	8	10	12	13	14.5	17.3	22
								Number engraved on the tip									
02	0.15	0.07	0.10	0.13	0.17	4	2	02.034	02.054			02.114					
03	0.18	0.11	0.15	0.20	0.26	4	2	03.034	03.054	03.074			03.134				
04	0.23	0.16	0.22	0.29	0.38	4	2 or 4	04.034	04.054	04.074	04.094	04.114	04.134				
06	0.28	0.23	0.33	0.43	0.57	4	4 or 6	06.034	06.054	06.074	06.094	06.114	06.134	06.154			
07	0.30	0.28	0.39	0.51	0.66	6	4 or 6							07.154			
09	0.33	0.32	0.45	0.59	0.77	6	6 or 8	09.034	09.054	09.074	09.094	09.114	09.134	09.154	09.174		
12	0.38	0.42	0.60	0.79	1.03	6	8 or 12			12.074	12.094	12.114	12.134	12.154	12.174		
14	0.41	0.51	0.72	0.94	1.23	12	8 or 12	14.034	14.054	14.074	14.094	14.114	14.134	14.154	14.174		
18	0.48	0.67	0.95	1.24	1.63	12	12				18.094		18.134	18.154	18.174	18.194	
20	0.50	0.76	1.06	1.39	1.82	12	12			20.074	20.094	20.114	20.134	20.154	20.174	20.194	
25	0.56	0.94	1.33	1.74	2.28	12	15						25.134	25.174	25.194		
30	0.61	1.13	1.60	2.09	2.74	12	15					30.114	30.134	30.154	30.174	30.194	
40	0.72	1.54	2.18	2.85	3.73	12	20								40.174		40.214
45	0.76	1.68	2.38	3.12	4.08	12	20					45.114		45.154	45.174	45.194	
100	1.04	3.96	5.68	7.33	9.47	12	20-30								100.174		100.214

Specific tips for water-based paints

04	0.23	0.16	0.22	0.29	0.38	4	2 or 4	04.032	04.052	04.072	04.092	04.112	04.132				
06	0.28	0.23	0.33	0.43	0.57	4	4 or 6	06.032	06.052	06.072	06.092	06.112	06.132	06.152			
07	0.30	0.28	0.39	0.51	0.66	6	4 or 6							07.152			
09	0.33	0.32	0.45	0.59	0.77	6	6 or 8	09.032	09.052	09.072	09.092	09.112	09.132	09.152			
12	0.38	0.42	0.60	0.79	1.03	6	8 or 12			12.072	12.092	12.112	12.132	12.152	12.172		
14	0.41	0.51	0.72	0.94	1.23	12	8 or 12		14.052	14.072	14.092	14.112	14.132	14.152	14.172		

Optimum fan adjustment

To obtain tip part number, replace the crosses by the engraved tip number preceded by 134 5xx xxx.
 Example: use part number 134 509 094 to obtain tip 09.094.

8.1.2.4. Options

Common options for Guns



Item	Part number	Description	Qty	Sales unit	Spare parts level (*)
22	129 732 425	Swivel fitting MF 1/2 JIC (500 bar / 7252 psi)	1	1	1
23	075 810 010	Extension (Length: 400 mm / 16")	1	1	-
-	050 450 853	Airmix [®] hose (Ø 4.8 mm / 3/16" - Length: 7.5 m / 24.6 ft - 120 bar / 1740 psi)	1	1	-
-	050 382 114	Air hose (Ø 6.5 x 10.5 mm - Length: 7.5 m / 24.6 ft - F 1/4 NPS)	1	1	-
24	155 010 000	Airmix [®] fluid filter MM 1/2 JIC (200 bar / 2900.6 psi maximum)	1	1	-
25	155 010 100	Airmix [®] fluid filter MF 1/2 JIC (200 bar / 2900.6 psi maximum)	1	1	-

(*)
Level 1: 1st emergency parts
Level 2: Wear parts

Specific options for Xcite+ 120 bar & 240 bar Guns

Item	Part number	Description	Qty	Sales unit	Spare parts level (*)
2	132 720 055	VX124 KHVLP complete aircap	1	1	1 - 2
2.1	-	• Aircap	1	0	1 - 2
2.2	-	• Ring	1	0	1 - 2
2.3	129 720 075	• Aircap seal (package of 2)	1	1	1 - 2
2.4	132 720 003	• Tip protection for Airmix [®] aircap (package of 3)	1	1	1 - 2
2.5	150 040 330	• Ring seal (package of 10)	1	1	1 - 2
4.7	129 729 904	Xcite [®] seat, acetal (package of 10)	1	1	1 - 2
-	050 450 653	Airmix [®] hose (Ø 4.8 mm / 3/16" - Length: 7.5 m / 24.6 ft - 240 bar / 3480 psi)	1	1	-
-	050 450 853	Airmix [®] hose (Ø 4.8 mm / 3/16" - Length: 7.5 m / 24.6 ft - 120 bar / 1740 psi)	1	1	-
-	129 270 087	Hose protection (length: 10 m / 33 ft)	1	1	-

(*)

Level 1: 1st emergency parts

Level 2: Wear parts

Specific options for Xcite[®]+ Light Guns

Item	Part number	Description	Qty	Sales unit	Spare parts level (*)
4.7	129 729 904	Xcite [®] seat, acetal (package of 10)	1	1	1 - 2
16	129 733 014	Stainless steel fitting MM 1/4 NPSM - 1/2 JIC	1	1	1 - 2

(*)

Level 1: 1st emergency parts

Level 2: Wear parts

8.1.2.5. Accessories

Item	Part number	Description	Screen	Mesh	Tip
21.2	129 609 907	Screen (package of 5)	n° 4	99 µ	03 - 04 - 06
21.2	129 609 908	Screen (package of 5)	n° 6	168 µ	09 - 12
21.2	129 609 909	Screen (package of 5)	n° 12	280 µ	14 - 18 - ...



The n°6 screen is delivered with the Xcite[®] +.

9. History of revision indices

Created by:		Verified by	Approved by:
Date	By:	Indice	Purpose of the modification and location
11/09/2022	C. Husson & F. Seguin	A	Creation of the document
01/04/2023	F. Seguin	B	Add PMP
01/16/2023	F. Seguin	C	Add graphic charter
22/03/2023	F. Seguin	D	Changing the order of the markers
15/06/2023	F. Seguin	E	Modifying / adding repair kits item numbers 129 740 908; 129 740 909; 129 740 911
10/07/2023	F. Seguin	F	Modifying 129 729 909 --> 129 740 909 in English version
05/09/2023	F. Seguin	G	Translation of PMP

10. Annexes

10.1. Preventive Maintenance Plan

PLAN DE MAINTENANCE PREVENTIVE / PREVENTIVE MAINTENANCE PLAN

Numero d'ordre / Serial	Ensemble - Assembly	Sous ensemble / Sub assembly	Désignation de l'élément / Designation of the assembly	Pour 1 ensemble - For 1 assembly			Acteurs Métiers / Operators - skill (3)				Niveau / Level (4)		Manuel d'utilisation / Instruction manual	Outil / Tool	Document / Note	
				Action à effectuer / Action to carry out	Temps prévu / Estimated Time (1)		Périodicité / Periodicity (H / hour) (2)	M	F	E	A	1				2
					100eme H	mn										
<p>(1) Temps moyen d'intervention à titre indicatif, et à ajuster par les équipes d'intervention du site / This average intervention time is given for information and should be adjusted by the operating teams on site.</p> <p>(2) Les périodicités mentionnées sont des moyennes basées sur l'expérience de Sames. A charge des utilisateurs de les adapter aux conditions de leur installation notamment en fonction de la nature des produits utilisés, des vitesses de travail, etc. Sames se réserve le droit de modifier les informations mentionnées dans ce document, sans préavis / The given periodicities are averages based on Sames experience. It is the responsibility of the operators to adapt them to the conditions of their installation, in particular with respect to the nature of the products being used, the work speeds, etc. Sames Kremlin reserves the right to change the information in this document without notice.</p> <p>(3) M : Mécanicien - F : Spécialiste fluide - E : Electricien - A : Automaticien / M : Mechanic - F : Fluid specialist - E : Electrician - A : Automation specialist</p> <p>(4) 1 = Niveau de Base, 2 = Niveau Avancé / 1 = Basic level, 2 = Advanced level</p>																
Avant toute intervention, se référer au chapitre sécurité du manuel de l'équipement / Before any intervention, see chapter safety equipment manual																
1	Général / General	Equipement / Equipment	Corps de pistolet / Body	Vérification mise à la terre par un tuyau statique / Checking around connection	0.17	0.10	1/utilisation / 1/use			X		1			Avant chaque début de production / Before each production start	
2			Corps de pistolet / Body	Contrôle usure / fuite / Wear / Leakage check	0.17	0.10	1/utilisation / 1/use		X			1			Avant chaque début de production / Before each production start	
3			Tuyaux / Hoses	Vérification état et bon fonctionnement / Checking the state and proper functioning	0.17	0.10	1/utilisation / 1/use	X				1			Avant chaque début de production / Before each production start	
4			Vannes / Valves	Vérification état et bon fonctionnement / Checking the state and proper functioning	0.17	0.10	1/utilisation / 1/use	X				1			Avant chaque début de production / Before each production start	
5			Partie produit / Fluid part	Nettoyer au solvant ou à l'eau / Rinse with solvent or clean water	25.00	15.00	1/utilisation / 1/use	X				1			A chaque arrêt de production / Every break time	
6			Corps de pistolet / Body	Nettoyer le pistolet / Clean the gun	25.00	15.00	1/utilisation / 1/use	X				1			A chaque arrêt de production / Every break time	
7		Partie produit / Fluid part	Buse / Tip	Nettoyer l'extérieur de la buse avec un pinceau et du solvant (pas de nettoyage à ultrason) / Clean the outside of the tip with a brush and solvent (no ultrasonic cleaning)	1.67	1.00	1/utilisation / 1/use	X				1			Après chaque utilisation / After each use	
8			Buse / Tip	Démonter la buse et l'immerger dans un petit récipient contenant du solvant / Disassemble the tip and immerse it in a small container containing solvent	3.33	2.00	1/utilisation / 1/use		X			1			En fin de journée de travail / After a working day	
9		Tête complète / Aircap equipped	Joint de tête / Seal, aircap	Remplacement / Replacement	3.33	2.00	1/an / 1/year	X				1			A remplacer si endommagé / Replace if broken	
10			Joint de bague / Seal, ring	Remplacement / Replacement	3.33	2.00	1/an / 1/year	X				1			A remplacer si endommagé / Replace if broken	
11		Porte-siège équipé / Seat-holder assembly	Porte siège / Seat-holder	Contrôle aspect / Wear / Leakage check	1.67	1.00	1/mois / 1/month	X				1			A remplacer si endommagé / Replace if broken	
12			Porte siège / Seat-holder	Remplacement / Replacement	3.33	2.00	1/an / 1/year	X				1			A remplacer si endommagé / Replace if broken	
13			Joint torique / O-ring	Remplacement / Replacement	3.33	2.00	1/an / 1/year	X				1			A remplacer si endommagé / Replace if broken	
14			Joint torique 2 / O-ring 2	Remplacement / Replacement	3.33	2.00	1/an / 1/year	X				1			A remplacer si endommagé / Replace if broken	
15			Joint / Seal, seat holder	Remplacement / Replacement	3.33	2.00	1/an / 1/year	X				1			A remplacer si endommagé / Replace if broken	
16		Butée de cartouche / Cartridge stop	Butée de cartouche / Cartridge stop	Vérification état / Checking the state	8.33	5.00	1/trimestre / 1/quarter	X				1			A remplacer si endommagé / Replace if broken	
17		Soupape d'aire complète / Complete Air Valve	Soupape d'aire complète / Complete Air Valve	Démonter la soupape d'air. La nettoyer si nécessaire. La graisser ainsi que le ressort avant le remontage. / Dismantle the air valve. Clean it if necessary. Grease it and the spring before reassembly.	8.33	5.00	1/mois / 1/month	X					2			A remplacer si endommagé / Replace if broken

PLAN DE MAINTENANCE PREVENTIVE / PREVENTIVE MAINTENANCE PLAN


Numero d'ordre / Serial	Ensemble - Assembly	Sous ensemble / Sub assembly	Désignation de l'élément / Designation of the assembly	Pour 1 ensemble - For 1 assembly			Acteurs Métiers / Operators - skill (3)				Niveau / Level (4)		Manuel d'utilisation / Instruction manual	Outil / Tool	Document / Note	
				Action à effectuer / Action to carry out	Temps prévu / Estimated Time (1)		Périodicité / Periodicity (H / hour) (2)	M	F	E	A	1				2
					100eme H	mn										
18	Pistolet Gun	Complete Air valve	Soupape d'aire complète / Complete Air Valve	Changer la soupape d'air. La graisser avant le remontage ainsi que le ressort. / Replace the air valve. Grease it before reassembly as well as the spring.	8.33	5.00	1/an / 1/year	X							A remplacer si endommagé / Replace if broken	
19		Pointeau d'air assemblé / Assembled air needle	Joint torique / O-Ring	Remplacement / Replacement	3.33	2.00	1/an / 1/year	X				1			A remplacer si endommagé / Replace if broken	
19		Tube produit assemblé / Assembled product tube	Tamis / Screen	Nettoyer le tamis et son support / Clean the filter screen and its support.	8.33	5.00	1/jour / 1/day	X				1			En fin de journée de travail / After a working day	
20			Tamis / Screen	Changer le tamis / Replace the filter screen.	8.33	5.00	1/an / 1/year		X				1		Si nécessaire / If necessary	
21		Raccord produit / Stainless steel fitting	Joint / Seal PTFE	Remplacement / Replacement	3.33	2.00	1/an / 1/year	X					1		A remplacer si endommagé / Replace if broken	
22			Raccord INOX MM 1/2 JIC / Stainless steel fitting, double male 1/2 JIC	Vérification du bon serrage / Checking correct tightening	0.17	0.10	1/utilisation / 1/use	X					1		A remplacer si endommagé / Replace if broken	
23			Joint de buse / Seal, tip	Remplacement / Replacement	3.33	2.00	1/an / 1/year	X					1		A remplacer si endommagé / Replace if broken	
24		Siege avec joint / Seat with seal	Siège / Seal	Remplacement / Replacement	3.33	2.00	1/an / 1/year	X					1		A remplacer si endommagé / Replace if broken	
25			Joint de siège / Seal seat	Remplacement / Replacement	3.33	2.00	1/an / 1/year	X					1		A remplacer si endommagé / Replace if broken	
26		Ensemble pointeau assemblé (120bar,240bar,400bar) / Needle assembly with spring (120bar,240bar,400bar)	Ressort de pointeau / fluid needle spring	Remplacement / Replacement	3.33	2.00	1/an / 1/year	X					1		A remplacer si endommagé / Replace if broken	
27			Joint / Cartridge seal FKM	Remplacement / Replacement	3.33	2.00	1/an / 1/year	X					1		A remplacer si endommagé / Replace if broken	
28			Pointeau / Needle	Vérification état / Checking the state	16.67	10.00	1/an / 1/year	X					1		A remplacer si endommagé / Replace if broken	
29		Raccord tournant MF 1/2 JIC / Swivel fitting MF 1/2 JIC	Raccord tournant MF 1/2 JIC / Swivel fitting MF 1/2 JIC	Remplacement / Replacement	8.33	5.00	1/an / 1/year	X					1		A remplacer si endommagé / Replace if broken	
30	Pièces de rechange / Spare parts	Stock / Stock	Pièces / Spare parts	Vérification disponibilité des pièces de première urgence / Checking availability of spare parts	8.33	5.00	2 fois/an / 2 times/year	X	X			1	2			

10.2. EU declaration of conformity and UKCA declaration



EU DECLARATION OF CONFORMITY

(1) The manufacturer declares herewith declares that the equipment is in conformity with the relevant Union harmonization legislation.

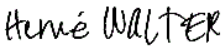
(2) Equipment type	AIRMIX® MANUAL SPRAYING GUN Xcite®+ / Xcite®+Light		
(3) Applicable Directives	2014/34/UE	(4) Marking	<p>GUN</p> <p> II 2G Ex h IIB T6 Gb X</p> <p>Ex h => Protection par sécurité deconstruction (c) / Protection by constructional safety (c) Conditions spéciales d'utilisation, le signe X indique de se référer aux prescriptions figurant dans le manuel d'instructions qui accompagnent le produit. Specific conditions of use, X indicates to refer to the prescriptions specified in the instructions manual that accompanies the product.</p>
		(5) Harmonised standards	<p>EN ISO 80079-36 : 2016 EN ISO 80079-37 : 2016 EN 1127-1 : 2019</p>
		(6) Conformity assessment procedure	<p>Module A Technical documentation (Annex VIII)</p>
(7) Notified body	<p>INERIS 0080 – 60550 Verneuil-en-Halatte – France – INERIS-EQEN / n° INERIS-CERN / 037539/22</p>		
(8) This declaration of conformity is issued under the sole responsibility of the manufacturer.			

Director of the STAINS site - Executive Management (EM)

Hervé WALTER

Established in Stains, on 25-nov.-22 | 08:23 CET

DocuSigned by:



361F833E614C4D1...



(1)	<p>Le Fabricant déclare que le matériel désigné ci-après est conforme à la législation d'harmonisation de l'Union applicable suivante/ Der Hersteller erklärt, dass das nachfolgend bezeichnete Material den folgenden anwendbaren Harmonisierungsrechtsvorschriften der Union entspricht / El fabricante declara que el equipo designado a continuación es conforme con la siguiente legislación de armonización de la UE aplicable / Il fabbricante dichiara che l'attrezzatura designata di seguito è conforme alla seguente legislazione di armonizzazione UE applicabile / O Fabricante declara que o equipamento designado abaixo está em conformidade com a seguinte legislação de harmonização aplicável da UE / Producent deklaruje, że urządzenie wskazane poniżej jest zgodne z następującymi obowiązującymi przepisami harmonizacyjnymi UE/ De fabrikant verklaart dat de hieronder beschreven apparatuur in overeenstemming is met de volgende toepasselijke EU-harmonisatiewetgeving/ Výrobce prohlašuje, že níže uvedené zařízení je ve shodě s těmito platnými harmonizačními právními předpisy EU/ Výrobce prohlašuje, že níže uvedené zařízení je ve shodě s těmito platnými harmonizačními právními předpisy EU/ Producenten erklærer, at det nedenfor angivne udstyr er i overensstemmelse med følgende gældende EU-harmoniseringslovgivning/ Valmistaja vakuuttaa, että jäljempänä mainitut laitteet ovat seuraavien sovellettävien EU:n yhdenmukaistamislainsäädäntöjen mukaisia./ Tootja kinnitab, et alpool nimetatud seadmed vastavad järgmistele kohaldatavatele ELi ühtlustamise õigusaktidele./ Ražotājs apliecina, ka turpmāk norādītās iekārtas atbilst šādiem piemērojamem ES saskaņotāšanas tiesību aktiem./ Gamintojas pareiškia, kad toliau nurodyta įranga atitinka šiuos taikytinus ES derinamosius teisės aktus/ Производителят декларира, че посоченото по-долу оборудване е в съответствие със следното приложимо законодателство на ЕС за хармонизация/ A gyártó kijelenti, hogy az alább megjelölt berendezés megfelel a következő alkalmazandó uniós harmonizációs jogszabályoknak / Producătorul declară că echipamentul desemnat mai jos este în conformitate cu următoarea legislație de armonizare a UE aplicabilă/ Ο κατασκευαστής δηλώνει ότι ο εξοπλισμός που αναφέρεται κατωτέρω συμμορφώνεται με την ακόλουθη ισχύουσα νομοθεσία εναρμόνισης της ΕΕ/ Proizvođač ovime izjavljuje da je oprema u skladu sa zakonskim zahtjevima Ujedinjene Kraljevine./ Výrobca vyhlasuje, že nižšie uvedené zariadenie je v súlade s týmito platnými harmonizačnými právnymi predpismi EÚ/ Proizvajalec izjavlja, da je spodaj navedena oprema skladna z naslednjo veljavno usklajevalno zakonodajo EU/ Производител заявяват, че указаното ниже оборудованне соответствует следующим применимым законодательным актам ЕС по гармонизации/ 製造者は、以下に指定された装置が、適用される以下のEU調和法に適合していることを宣言する。/ 下面指定的设备符合以下适用的欧盟协调立法。</p>
(2)	<p>Type d'équipement/ Art der Ausrüstung/ Tipo de equipo/ Tipo di attrezzatura/ Tipo de equipamento/ Rodzaj sprzętu/ Type uitrusting/ Typ zařízení/ Typ av anordning/ Type of anordning/ Laitteen tyyppi/ Seadme tüüp/ Iekārtas tips/ Įrangos tipas/ Вкл. оборудване/ A berendezés típusa/ Tipul de echipament/ Τύπος εξοπλισμού/ Vrsta opreme/ Typ zariadenia/ Vrsta naprave/ Тип оборудования/ 機器の種類/ 设备类型</p>
(3)	<p>Directives applicables/Anwendbare Richtlinien/Directivas aplicables/Direttive applicabili/Directivas aplicáveis/Obowiązujące dyrektywy/Toepasselijke richtlijnen/Platné smernice/Πιλάμπλια direktiv/Gældende direktiver/Sovelletavat direktiivit/Kohaldatavad direktivid/Piemērojamas direktīvas/Taikomos direktyvos/Приложими директиви/Alkalmazandó irányelvek/Directive aplicabile/Ισχύουσες οδηγίες/Primjenjive smjernice/Upitnitelne smernice/Veljavne directive/Применяемые директивы/適用される指令/适用的指令</p>
(4)	<p>Marquage/ arkiierung/Marcado/Marcatura/Marcasão/Inakowanie/Markering/Označeni/Märkning/Mærkning/Merkintä/Märgistus/Markējums/Īenkinimas/Маркировка/Jelölés/Marcare/Σήμανση/Obilježava/Označovanie /Označevanje/Маркировка/マーキング / 标识</p>
(5)	<p>Nomes harmonisētas/Harmoniserte Normen / Normas armonizadas/ Nome armonizate/Normas harmonizadas/ Normy harmonizowane /Geharmoniseerde normen /Harmonizované normy /Harmoniserade standarder /Harmoniserede standarder /Hdennmukaistetel standardid /Harmoniseeritud standardid /Saskaņotie standarti /Suderinoti standarta /Хармонизирани стандарти /Harmonizált szabványok / Standarde armonizate/Εναρμονισμένα πρότυπα /Harmonizirani standardi /Harmonizované normy /Uskijeni standardi /Гармонизированные стандарты /整合規格 /协调标准</p>
(6)	<p>Procédure d'évaluation de la conformité/Verfahren der Konformitätsbewertung/Procedimiento de evaluación de la conformidad/Procedura di valutazione della conformità/Procedimento de avaliação da conformidade/Procedura oceny zgodności/Conformiteitsbeoordelingsprocedure/Postup posuzování shody / Förfarande för bedömning av överensstämmelse/Procedura for overensstemmelsesvurdering /Vaatimustenmukaisuuden arviointimenettely / Vastavushindamismenetlus/Atbilstības novērtēšanas procedūra /Atitiktības vertinimo procedūra /Процедура за оценка на съответствие /Megfelelőségértékelési eljárás / Procedura de evaluare a conformității/Διαδικασία αξιολόγησης της συμμόρφωσης /Postupak ocjene uskladenosti /Postup posudzovania shody /Postopek ugotavljanja skladnosti /Процедура оценки соответствия / 適合性評価手順 / 符合性評估程序</p>
(7)	<p>Organisme notifiē/Benannte Stelle/Organismo notificato/Organismo Notificato/Jednostka notyfikowana/Aangemelde instantie/Oznamený subjekt/Anmält organ/Anmeldat organ/Ilmoitettu laitos/Teavitatud asutus/Poznáta struktúra/Notifikuotoji įstaiga/Нотифициран орган/Bejelentett szerv/Organismul notificat/Κοινοποιημένος οργανισμός/akreditirana organizacija/Notifikovaný organ/Priglašeni organ/Уведомленный орган/届出機関/通知的机构</p>
(8)	<p>Cette déclaration de conformité est délivrée sous la seule responsabilité du fabricant. / Diese Konformitätserklärung wird unter der alleinigen Verantwortung des Herstellers ausgestellt. / Esta declaración de conformidad se emite bajo la única responsabilidad del fabricante. / Questa dichiarazione di conformità è rilasciata sotto la sola responsabilità del produttore. / Esta declaração de conformidade é emitida sob a exclusiva responsabilidade do fabricante. / Niniejsza deklaracja zgodności zostata wydana na wyłączną odpowiedzialność producenta. / Deze verklaring van overeenstemming wordt afgegeven onder de uitsluitende verantwoordelijkheid van de fabrikant. / Toto prohlášení o shodě je vydáno na výhradní odpovědnost výrobce. / Denna försäkran om överensstämmelse utfärdas på tillverkarens eget ansvar. / Denne overensstemmelseserklæring er udstedt på producentens eget ansvar. / Tämä vaatimustenmukaisuusvakuutus annetaan valmistajan yksinomaista vastuulla. / Käesolev vastavusdeklaratsioon on välja antud tootja ainuvastutusel. / Šī atbilstības deklarācija ir izdota uz ražotāja atbildību. / Už šią atitikties deklaraciją atsako tik gamintojas. / Nastojąsata deklaracija za съответствие се издава на пълната отговорност на производителя. / Ezt a megfeleléségi nyilatkozatot a gyártó kizárólagos felelőssége mellett adtuk ki. / Prezentata declarație de conformitate este emisă pe răspunderea exclusivă a producătorului. / Η παρούσα δήλωση συμμόρφωσης εκδίδεται με αποκλειστική ευθύνη του κατασκευαστή. / Ova izjava o skladnosti izdaje se isključivo pod odgovornošću proizvođača. / Toto vyhlásenie o zhode sa vydáva na výhradnú zodpovednosť výrobcu. / Za to izjavo o skladnosti je odgovoren izključno proizvajalec. / Din id-dikjarazzjoni ta' konformità għandha tinfheg taht ir-responsabbiltà unika tal-manifattur. / Данная декларация соответствия выдана под исключительную ответственность производителя. / この適合宣言は、製造者の単独責任のもとで発行されています。 / 本適合性声明由製造商全权负责发布。</p>

Sames


Siège Social / Headquarter: 13, chemin de Malacher - CS70086 - 38243 Meylan Cedex - France - Tél / Phone: +33 (0)4 76 41 60 60

SAS au capital de 12.720.000 euros | RCS Grenoble: 572 051 688 | Code APE: 2829B | TVA intracom: FR36 572051688



DECLARATION OF INCORPORATION
OF PARTLY COMPLETED MACHINERY
UK DECLARATION OF CONFORMITY

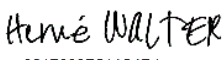
(1) The manufacturer herewith declares that the equipment is in conformity with the UK statutory requirements.

(2) Equipment type	AIRMIX® MANUAL SPRAYING GUN Xcite®+ / Xcite®+Light		
(3) Applicable Directives	2016 No. 1107	(4) Marking	<p>GUN</p> <p> II 2G Ex h IIB T6 Gb X</p> <p>Ex h => Protection par sécurité deconstruction (c) / Protection by constructional safety (c) Conditions spéciales d'utilisation, le signe X indique de se référer aux prescriptions figurant dans le manuel d'instructions qui accompagnent le produit. Specific conditions of use, X indicates to refer to the prescriptions specified in the instructions manual that accompanies the product.</p>
		(5) Designated standards	<p>EN ISO 80079-36 : 2016 EN ISO 80079-37 : 2016 EN 1127-1 : 2019</p>
		(6) Conformity assessment procedure	<p>Module A Technical documentation (Annex VIII)</p>
(7) Approved body	<p>Approved Bodies INERIS 0080 – 60550 Verneuil-en-Halatte- France / no INERIS- CERN 037539/22 21CLM 25031 - Ellesmere Port - United Kingdom / CML n°22UKEXT323 issue 0</p>		
(8) This declaration of conformity is issued under the sole responsibility of the manufacturer.			

Director of the STAINS site - Executive Management (EM)

Hervé WALTER

Established in Stains, on 25-nov.-22 | 08:22 CET

DocuSigned by:

361F833E514C4D1...



(1)	Le fabricant déclare que le matériel désigné ci-après est conforme à la législation des normes désignées du Royaume-Uni suivante/ Der Hersteller erklärt, dass das nachfolgend bezeichnete Material mit den folgenden Rechtsvorschriften für bezeichnete Normen des Vereinigten Königreichs übereinstimmt/ El fabricante declara que el equipo designado a continuación se ajusta a la siguiente legislación de normas designadas del Reino Unido/ Il fabbricante dichiara che l'attrezzatura designata di seguito è conforme alla seguente legislazione sugli standard del Regno Unito/ O Fabricante declara que o equipamento designado abaixo está em conformidade com a seguinte legislação de normas designada pelo Reino Unido/ Producent oświadcza, że urządzenie wskazane poniżej jest zgodne z następującymi normami wyznaczonymi przez ustawodawstwo Wielkiej Brytanii/ De fabrikant verklaart dat de hieronder aangeduide apparatuur in overeenstemming is met de volgende in het VK geldende wetgeving/ De fabrikant verklaart dat de hieronder aangeduide apparatuur in overeenstemming is met de volgende in het VK geldende wetgeving/ Výrobce prohlašuje, že níže uvedené zařízení je v souladu s následujícími právními předpisy Spojeného království./ Tillverkaren intygar att den nedan angivna utrustningen överensstämmer med följande lagstiftning om brittiska standarder/ Producenten erklærer, at det nedenfor angivne udstyr er i overensstemmelse med følgende lovgivning om britiske standarder/ Valmistaja vakuuttaa, että jäljempänä mainitut laitteet ovat seuraavien Ison-Britannian lainsäädännön mukaisten standardien mukaisia./ Toottaja deklarerib, et allpool nimetatud seadmed vastavad järgmistele Ühendkuningriigi õigusaktidele/ Ražotājs apliecinā, ka turpmāk norādītais aprīkojums atbilst šādiem Apvienotās Karalistes tiesību aktiem par norādītajiem standartiem./ Gamintojas pareiškia, kad toliau nurodyta įranga atitinka šiuos Jungtinės Karalystės teisės aktus dėl nurodytų standartų/ Производителят декларира, че оборудването, посочено по-долу, отговаря на следните стандарти, определени от законодателството на Обединеното кралство/ A gyártó kijelenti, hogy az alább megjelölt berendezések megfelelnek a következő brit szabványokra vonatkozó jogszabályoknak/ Producentul declară că echipamentul desemnat mai jos este în conformitate cu următoarele standarde desemnate de legislația britanică/ O κατασκευαστής δηλώνει ότι ο κατατρώρα αναφερόμενος εξοπλισμός συμμορφώνεται με τα ακόλουθα πρότυπα της βρετανικής νομοθεσίας/ Προϊζνοδαχ έσνδβε ίζαννίυβε δα δε ορεμα υ σκλαδυ ρελεвантнм законодавством Унїе о ускладнваннυ/ Výrobca vyhlasuje, že níže uvedené zariadenie je v súlade s nasledujúcimi určenými normami Spojeného kráľovstva / Proizvajalec izjavlja, da je spodaj navedena oprema skladna z naslednjimi standardi, določenimi z zakonodajo Zdrúženega kraljevstva/ Производител заявляет, что оборудование, указанное ниже, соответствует следующим стандартам, установленным законодательством Великобритании/ 製造者は、以下に指定された機器が、以下の英国指定規格の法律 に適合していることを宣言する。/ 製造商声明。 下面指定的设备符合以下英国指定的标准法
(2)	Type d'équipement/ Art der Ausrüstung/ Tipo de equipo/ Tipo di attrezzatura/ Tipo de equipamento/ Rodzaj sprzętu/ Type uitrusting/ Typ zařízení/ Typ av anordning/ Type af anordning/ Laitteen tyyppi/ Seadme tüüp/ Iekártas tips/ Įrangos tipas/ Виса оборудование/ A berendezés típusa/ Tipul de echipament/ Τύπος εξοπλισμού/ Vrsta opreme/ Typ zariadenia/ Vrsta naprave/ Тип оборудования/ 機器の種類/ 设备类型
(3)	Directives applicables/Anwendbare Richtlinien/Directivas aplicables/Direttive applicabili/Directivas aplicáveis/Obowiązujące dyrektywy/Toepasselijke richtlijnen/Platné smernice/İlilâmplıya direktiv/Gældende direktiver/Sovellettavat direktiv/Kohaldatavad direktiivid/Piemērojāmās direktīvas/Λαίκομος δνρεκτνυς/Прнложнм днректнυν/Alkalmazandó irányelvek/Directive applicable/αχθούσος όδνρεκτνυς/Primjenjive smjernice/Platnitelne smernice/Vejlævne directive/Прнменнм днректнυν/適用される指令/适用的指令
(4)	Marquage/ Markierung/Marcado/Marcatura/Marcação/Znakowanie/Markering/Označení/Märkning/Mærkning/Merkintä/Märkjuttus/Zenkinimas/Маркровка/Jeikšės/Marcare/Τήμανση/Obilježava/Označovanie /Označevanje/Маркровка/マーキング / 标识
(5)	Nomes désignés/Bezeichnete Normen /Normas designadas /Norme designate /Normas designadas /Normy wyznaczone / Aangewezen normen/Určené normy /Upekeke standarder /Udpegede standarder /Nimetyt standardit /Määratud standardid /Iraudzātie standarti /Paskīrtījie standarti /Οδρεδενнм стандартн /Kjēlōīl szobványok /Standarde desemnate /Καθαρνυμα πρότυπα /Oδρεdeni standarti /Určené normy /Določeni standarti /Назначенные стандарты /指定された規格 /指定的标准
(6)	Procédure d'évaluation de la conformité/Verfahren der Konformitätsbewertung/Procedimiento de evaluación de la conformidad/Procedura di valutazione della conformità/Procedimento de avaliação da conformidade/Procedura oceny zgodności/Conformiteitsbeoordelingsprocedure/Postup posuzování shody / Förfarande för bedömning av överensstämmelse/Procedura for overensstemmelsesvurdering /Vaatimustenmukaisuuden arvioinnimenettely /Vastovshindarnimennelus/Albilības novērtēšanas procedūra /Atitikties vertinimo procedūra /Процедурα за оценка на съответствието /Megfelelőségértékelési eljárás / Procedura de evaluare a conformității/Διαδικασία αξιολόγησης της συμμόρφωσης /Postupak ocjene uskladenosti /Postup posudzovanja shody /Postopek ugotavljanja skladnosti /Процедура оценки соответствия / 適合性評価手順/ 符合性评估程序
(7)	Organisme agréé/Zugelassene Stelle/Organismo aprobado/Corpo approvato/Organismo aprobado/Zatwierdzony organ/Goedgekeurde instantie/Schválený organ/Godkánt organ/Godkendt organ/Hyváksettý elin/Heakskiddetud asutus/Apstiprināta iestāde/Patvirtinta įstaiga/Οδобрөн орган/Дώνόηγогыт szerv/Organism aprobat/Ευκκριμένος φορέας/Odobren tijelo/Schválený organ/Odobreni organ/Утвержденный орган/認定機關/认可机构
(8)	Cette déclaration de conformité est délivrée sous la seule responsabilité du fabricant. / Diese Konformitätserklärung wird unter der alleinigen Verantwortung des Herstellers ausgestellt./ Esta declaración de conformidad se emite bajo la única responsabilidad del fabricante./ Questa dichiarazione di conformità è rilasciata sotto la sola responsabilità del produttore./ Esta declaração de conformidade é emitida sob a exclusiva responsabilidade do fabricante./ Niniejsza deklaracja zgodności została wydana na wyłączną odpowiedzialność producenta./ Deze verklaring van overeenstemming wordt afgegeven onder de uitsluitende verantwoordelijkheid van de fabrikant./ Toto prohlášení o shodě je vydáno na výhradní odpovědnost výrobce./ Denna försäkran om överensstämmelse utfärdas på tillverkarens eget ansvar. / Denne overensstemmelseserklæring er udstedt på producentens eget ansvar./ Tämä vaatimustenmukaisuusvakuutus annetaan valmistajan yksinomaisella vastuulla./ Käesolev vastavusdeklaratsioon on välja antud tootja ainuvastutusel./ Šī atbilstības deklarācija ir izdota uz ražotāja atbildību./ Už šī atitiktības deklarāciju atsaiko tik gamintojas./ Настоящая декларация за съответствие се издава на пълната отговорност на производителя./ Ezt a megfeleléségi nyilatkozatot a gyártó kizárólagos felelősége mellett adjuk ki./ Prezentata declarație de conformitate este emisă pe răspunderea exclusivă a producătorului./ Η παρούσα δήλωση συμμόρφωσης εκδίδεται με αποκλειστική ευθύνη του κατασκευαστή./ Ova izjava o sukladnosti izdaje se isključivo pod odgovornošću proizvođača./ Toto vyhlásenie o zhode sa vydáva na výhradnú zodpovednosť výrobcu./ Za to izjavo o skladnosti je odgovoren izključno proizvajalec./ Din id-dikjarazzjoni ta' konformità għandha tinfareġ taht ir-responsabbiltà unika tal-manifattur./ Данная декларация соответствия выдана под исключительную ответственность производителя./ この適合宣言は、製造者の単独責任のもとで発行されています。/ 本符合性声明由制造商全权负责发布。

SAMES

Siège Social / Headquarter: 13, chemin de Malacher - CS70086 - 38243 Meylan Cedex - France - Tél / Phone: +33 (0)4 76 41 60 60

SAS au capital de 12.720.000 euros | RCS Grenoble: 572 051 688 | Code APE: 2829B | TVA intracom: FR36 572051688

For almost a century, **Sames** has provided services and equipment for the application of liquid and powder paints, adhesives and sealants to bond, protect and beautify all types of surfaces.

We design, produce and market complete solutions - manual guns, automatic and robotic applicators, pumps and dosing machines...

We offer solutions at the cutting edge of technological innovation, serving industrial efficiency for the most challenging customers, and environmentally friendly.

Sames bonds, protects and beautifies all materials.

More than a supplier, **Sames** is the partner of your performance.

We *Simply Apply the Most Efficient Solutions.*

Enjoy being the best *together*



Headquarter: 13, Chemin de Malacher - CS70086 - 38243 Meylan Cedex - France
☎ +33 (0)4 76 41 60 60 - www:sames.com