

HEATING HOSE

Equipment reference

998.001.110

User manual 998001110

2020-02-25

Index A -

Translation of the original instructions

SAMES KREMLIN SAS



13 Chemin de Malacher
38240 Meylan



www.sames-kremlin.com



33 (0)4 76 41 60 60

Any communication or reproduction of this document, in any form whatsoever, and any exploitation or communication of its contents are prohibited, except with the express written consent of **SAMES KREMLIN**. The descriptions and features contained in this document are subject to change without notice.

© **SAMES KREMLIN** 2019

Contents

| | |
|--|-----------|
| CONTENTS..... | 3 |
| Evolution table..... | 4 |
| of the document | 4 |
| 1 SAFETY INSTRUCTIONS | 5 |
| 1.1 PERSONAL SAFETY..... | 5 |
| Overview..... | 5 |
| Meaning of the pictograms..... | 6 |
| Security devices | 7 |
| Fire hazards, explosion, electric arc, static electricity..... | 8 |
| Risque d'ordre électrique | 9 |
| Risks due to unintentional operating irregularities | 9 |
| 2 ENVIRONMENT | 10 |
| 3 TECHNICAL CHARACTERISTICS..... | 11 |
| 3.1 TECHNICAL DESCRIPTION | 11 |
| 4 SPARE PARTS | 13 |

**Evolution table
of the document**

| Recording revisions | | | | |
|---------------------|--------------|----------|--------------|----------|
| Editor | Object | Revision | Date | Aimed by |
| F SEGUIN | Heating hose | A | Week 45/2019 | B Batllo |

Dear customer, you have just purchased your new equipment and we thank you for it.

We have taken the utmost care, from design to manufacture, so that this equipment gives you complete satisfaction.

For a good use and an optimal availability, we invite you to read this manual carefully before commissioning your equipment.

1 Safety instructions

1.1 Personal safety

Overview



Read all operating instructions and device labels carefully before putting the equipment into service.

Personnel using this equipment must have been trained in its use.

The workshop manager must ensure that the operators have fully understood all the instructions and safety rules of this equipment and other elements and accessories of the installation.

Misuse or operation can cause serious injury. This material is for professional use only. It must be used only for the purpose for which it was intended.

Do not modify or transform the material. Parts and accessories must only be supplied or approved by SAMES KREMLIN.

The equipment must be checked periodically. Defective or worn parts must be replaced.

Never exceed the maximum working pressures of the equipment components.

Always respect the laws in force regarding security, fire, electricity of the destination country of the equipment.

Only use products or solvents compatible with the parts in contact with the product (see product manufacturer's technical data sheet).

Meaning of the pictograms

| | | | |
|--|--|---|---|
|  <p>Danger pinching, crushing</p> |  <p>Danger moving parts</p> |  <p>Danger: high pressure</p> |  <p>Risks of product emanation</p> |
|  <p>Danger: hot parts or surfaces</p> |  <p>Danger: flammability hazard</p> |  <p>Danger: electricity</p> |  <p>Risk of explosion</p> |
|  <p>Danger (user)</p> |  <p>Glasses required</p> |  <p>Gloves required</p> |  <p>Grounding</p> |

Security devices**Attention**

- ✓ Guards (motor cover, coupling guard, housings, ...) are installed for safe use of the equipment.
 - ✓ The manufacturer can not be held responsible for any bodily injury as well as failures and / or damage to the equipment resulting from the destruction, the occultation or the total or partial removal of the protectors.
 - ✓ Never exceed the maximum working pressures of the equipment components.
-

**Fire hazards,
explosion, electric arc,
static electricity**



Improper grounding, insufficient ventilation, open flames or sparks can cause an explosion or fire which could result in serious injury.

To avoid these risks, especially when using pumps, it is imperative:

- ✓ to connect the equipment, the parts to be treated, the cans of products and cleaners to the ground,
- ✓ to ensure good ventilation,
- ✓ keep the work area clean and free of rags, papers, solvents,
- ✓ do not operate electrical switches in the presence of vapors or during removal,
- ✓ immediately stop the application in the presence of arcs,
- ✓ store all liquids outside the work areas.
- ✓ use products whose flash point is as high as possible to avoid any risk of formation of flammable gases and vapors (consult the product safety data sheets).
- ✓ to equip the drums with a lid to reduce the diffusion of gases and vapors in the cabin.
- ✓ It is forbidden to pump explosive materials

Risque d'ordre électrique



- ✓ All work on the electrical equipment of the heating block must only be carried out by qualified electricians.
- ✓ Regularly check electrical equipment: Tighten loose fittings and immediately replace damaged pipes or cables.
- ✓ Work on the heating block involves electrical risks.
 - due to direct contact with live parts or parts that have become conductive due to anomalies.
 - due to short circuits, overloads, as a result of which molten particles can also be projected.
- ✓ Whenever work is carried out on live parts of the installation, such as pipes or cables, a second person who can operate the main switch in an emergency must always be present.
- ✓ Never clean electrical equipment with water or other liquids.

Risks due to unintentional operating irregularities

When working on the components of the heating block, there is a risk of unintentional operating irregularities due to:

- ✓ a shutdown or failure of the control system.
 - ✓ the power is restored after a power failure.
 - ✓ an external influences on electrical equipment.
 - ✓ an unresolved software problems.
-

2 Environment

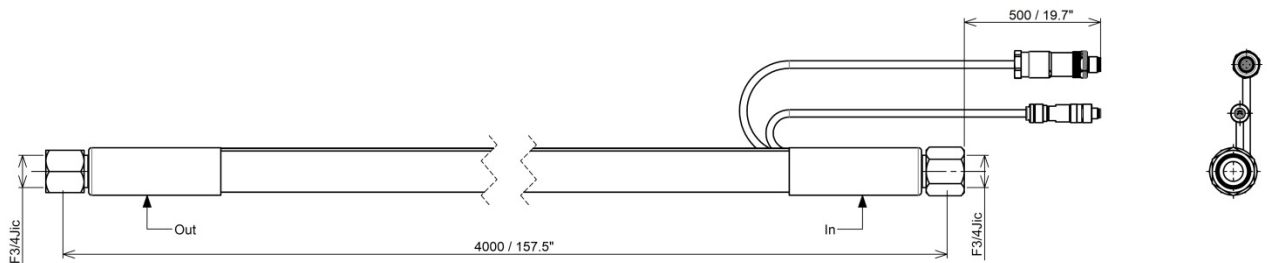


To avoid risks due to static electricity, the equipment and its components must be grounded.

- ✓ **For dosing equipment** (pumps, elevators, chassis, etc.), a ground connector is available. Use this connector to connect the equipment to the general "earth".
 - ✓ Have the earth continuity checked by a qualified electrician. If earth continuity is not assured, check terminal, wire and grounding point. Never operate the equipment without solving this problem.
-
- ✓ **Do not store** more flammable products than necessary inside the work area.
 - ✓ These products must be stored in **approved containers and grounded**.
 - ✓ Use only grounded **metal buckets** for the use of rinse solvents.
 - ✓ **Cartons and papers** are to be banned. They are very bad conductors, even insulators.

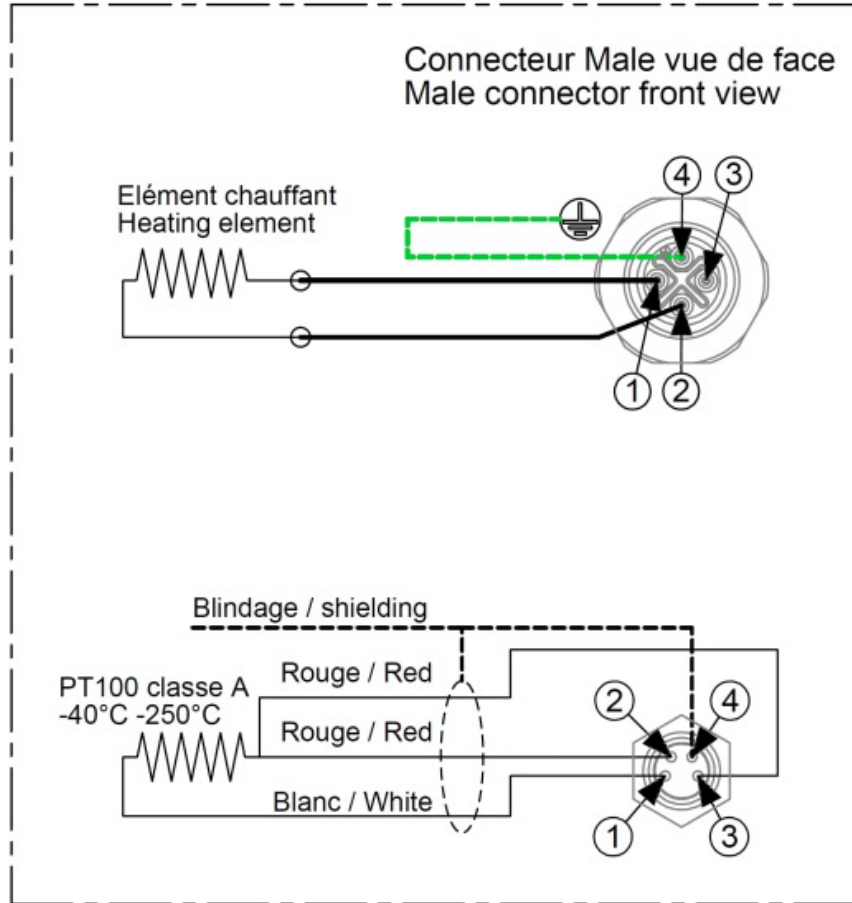
3 Technical characteristics

3.1 Technical description



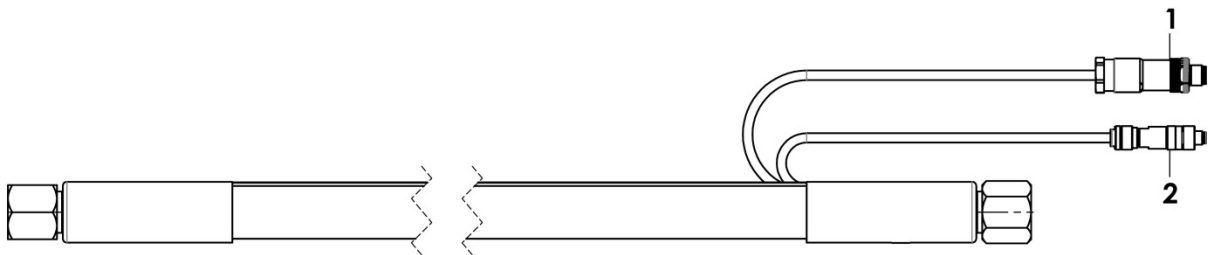
| Flexible HL 3/8" PTFE – Lg 4m 80°C / 176°F -230V-500 Bar / 7252 psi F 3/4 JIC | |
|---|--------------------------------|
| Product temperature | 80°C / 176°F |
| Voltage | 230 V |
| Power consumption | 260 W |
| Ø external | ~ 55 mm / ~ 2.16" |
| Ø inner | 3/8" – 10 mm |
| Inner material | PTFE |
| Length | 4 M / 13.12 ft |
| Pressure | 500 Bar / 7251.9 psi |
| Fluid connection | F 3/4 JIC – 16 UNF Inox 316 |
| Power connector | M12 type S - Male - 4 Contacts |
| Probe connector | M8 - Male - 4 Contacts |
| Curvature radius | 200 mm / 7.87" |

3.2 Wiring



4 Spare parts

Use only genuine SAMES KREMLIN accessories and spare parts designed to withstand the pump's operating pressures.



| Ind | #References | Description | Qty | Spare part level** |
|-----|-------------|------------------|-----|--------------------|
| 1 | 998 001 116 | Power connector | 1 | |
| 2 | 998 001 115 | Sensor connector | 1 | |