



# SHOVEL PUMP

**106 cm<sup>3</sup>**

**Pump REX SH0106**

**User Manual 582137110**

2024-03-20

Index D

Translation of the original instructions

## **SAMES KREMLIN SAS**



13 Chemin de Malacher  
38240 Meylan



[www.sames-kremlin.com](http://www.sames-kremlin.com)



33 (0)4 76 41 60 60

Any communication or reproduction of this document, in any form whatsoever, and any exploitation or communication of its contents are prohibited, except with the express written consent of

**SAMES KREMLIN.**

The descriptions and features contained in this document are subject to change without notice.

© **SAMES KREMLIN** 2021

## Contents

<i>Evolution table of the document</i> .....	5
<i>Additional documentations</i> .....	5
<i>Guarantee</i> .....	6
<b>1 Declaration of conformity</b> .....	<b>7</b>
<b>2 Safety instructions</b> .....	<b>8</b>
2.1 Personal safety.....	8
<i>Overview</i> .....	8
<i>Meaning of the pictograms</i> .....	9
<i>Security devices</i> .....	10
<i>Danger of pressure</i> .....	10
<i>Injection hazards</i> .....	11
<i>Fire hazards, explosion, electric arc, static electricity</i> .....	11
<i>Hazards of toxic products</i> .....	12
2.2 Integrity of the material .....	13
<i>Material recommendations</i> .....	13
<i>Pump</i> .....	13
<i>Tubing</i> .....	13
<i>Products implemented</i> .....	14
<b>3 Environment</b> .....	<b>15</b>
<b>4 Available Configurations</b> .....	<b>17</b>
4.1 Rexson part numbers of high viscosity pumps.....	17
4.2 Table 1 Fluid section–Air motor selection .....	18
4.3 Table 2 Fluid section–Pump foot & Material selection.....	18
4.4 Table 3 Seals pack selection.....	19
<b>5 Identification</b> .....	<b>20</b>
5.1 Description of the marking of the plate .....	20
5.2 Correspondence table new part numbers / Significant designations .....	22
5.3 Correspondence table existant part numbers / Significant designations .....	23
<b>6 Technical characteristics and performance</b> .....	<b>24</b>
6.1 General characteristics .....	24
6.2 Principle of operation .....	26
<i>Expected use</i> .....	26
<i>Functional description</i> .....	26
<b>7 Installation</b> .....	<b>28</b>
7.1 Handling .....	28
7.2 Connections subsets .....	28
7.2.1 Fluid supply connection .....	28
7.2.2 Air supply connection .....	29
7.3 Storage .....	29
<b>8 Commissioning</b> .....	<b>30</b>

Pump.....	30
Motor .....	30
<b>9 Use of the product.....</b>	<b>31</b>
9.1 User settings.....	31
Wet cup.....	31
Tightening of the wet cup.....	31
Tightening procedure .....	31
9.2 Safety in production .....	32
9.3 Start up .....	32
9.4 Shutdown procedure.....	33
Pump.....	33
9.5 Diagnostic help / Troubleshooting guide .....	34
Possible symptoms of faults / Causes of faults / Remedies to apply .....	34
<b>10 Maintenance .....</b>	<b>36</b>
10.1 Preventive maintenance plan.....	37
Fluid section .....	37
10.2 General preconisation maintenance .....	38
<b>11 Disassembly / Reassembly operation .....</b>	<b>39</b>
Greases and thread lockers designations .....	39
Disassembly of the pump.....	42
Cup seals.....	42
Lower valve.....	42
Upper valve.....	43
Reassembly of the fluid section :.....	44
<b>12 Spare parts .....</b>	<b>45</b>
Lower adapter flange .....	48
Repair kit.....	49
Recommended seals packs .....	49
Accessory.....	49
Seals packs composition: 01 to 03 .....	50
Seals packs composition: 04 to 06 .....	51

**Evolution table of the document**

Recording revisions				
Editor	Object	Revision	Date	Modified by
SEGUIN	Shovel fluid section 106 cm <sup>3</sup> REXSON SH106	A	05/15/2020	
SEGUIN	Shovel fluid section 106 cm <sup>3</sup> REXSON SH106	B	02/05/2021	
SEGUIN	Shovel fluid section 106 cm <sup>3</sup> REXSON SH106	C	01/20/2021	
SEGUIN	Shovel fluid section 106 cm <sup>3</sup> REXSON SH106	D	03/20/2024	

Dear customer, you have just purchased your new equipment and we thank you for it.

We have taken the utmost care, from design to manufacture, so that this equipment gives you complete satisfaction.

For a good use and an optimal availability, we invite you to read this manual carefully before using your equipment.

**Additional documentations**

	Documentation Reference
Air Motor 1500	582141110
Air Motor 3000	582140110
Air Motor 5000	582146110

**IMPORTANT:** before assembly and start-up, please read and clearly understand all the documents relating to this equipment (professional use only).

## **Guarantee**

We reserve the right to make any changes or improvements even after receipt of an order without being able to attribute a non-compliance to the descriptions contained in the instruction manuals and selection guides.

Our equipment is checked and tested in our workshops before shipment.

To be valid, any complaint concerning a material will have to be formulated to us in writing within 10 days of the delivery.

**SAMES KREMLIN** equipment, equipped with its original identification plates, has a one-year warranty or 1800H of operation (in the first term reaches) from the date of ex-factory against any defect of material or defect of it is up to us to see and appreciate.

The warranty excludes wear parts, deterioration or wear resulting from abnormal or unscheduled use by **SAMES KREMLIN**, failure to observe instructions for proper operation or lack of maintenance.

The warranty is limited to the repair or exchange of parts returned to our factory and recognized as defective by us and does not cover the listed wear parts.

Any costs resulting from the operation cannot be charged to us. The costs of return to our workshops are the responsibility of the customer.

An intervention can be carried out on site at the customer's request.

In this case, the transportation and accommodation costs of the technician (s) will remain the responsibility of the applicant.

Any changes made to our equipment without our consent will void the warranty.

Our guarantee is limited to that of the suppliers of materials which enter in the composition of our sets.

---

## 1 Declaration of conformity



Refer to the existing declaration delivered with the product.

---

---

## 2 Safety instructions

### 2.1 Personal safety

---

#### Overview



Read all operating instructions and device labels carefully before putting the equipment into service.

Personnel using this equipment must have been trained in its use.

The workshop manager must ensure that the operators have fully understood all the instructions and safety rules of this equipment and other elements and accessories of the installation.

Misuse or operation can cause serious injury. This material is for professional use only. It must be used only for the purpose for which it was intended.

Do not modify or transform the material. Parts and accessories must only be supplied or approved by **SAMES KREMLIN**.

The equipment must be checked periodically. Defective or worn parts must be replaced.

Never exceed the maximum working pressures of the equipment components.

Always respect the laws in force regarding security, fire, electricity of the destination country of the equipment.

Only use products or solvents that are compatible with the parts in contact with the product (see product manufacturer's technical data sheet).

---



**Meaning of the pictograms**

 <p>Danger: pinching, crushin</p>	 <p>Danger: moving parts</p>	 <p>Danger: high pressure</p>	 <p>Risks of product emanation</p>
 <p>Danger: hot parts or surfaces</p>	 <p>Danger: flammability risks</p>	 <p>Danger: electricity</p>	 <p>Risk of explosion</p>
 <p>Danger (user)</p>	 <p>Warning Danger</p>	 <p>Gloves required</p>	 <p>Grounding</p>
 <p>Protective helmet</p>	 <p>Hearing protection</p>	 <p>Mandatory respiratory protection</p>	 <p>Safety shoes</p>
 <p>Protective clothing</p>	 <p>Protective visor</p>	 <p>Safety glasses is mandatory</p>	 <p>Refer to the manual/instruction leaflet</p>

## Security devices



### Attention

- ✓ Guards (motor cover, coupling guard, housings, ...) are set up for safe use of the equipment.
- ✓ The manufacturer cannot be held responsible for any bodily injury as well as failures and / or damage to the equipment resulting from the destruction, the occultation or the total or partial removal of the protectors.
- ✓ Never exceed the maximum working pressures of the equipment components.

## Danger of pressure



Safety requires that a pressure relieve shutoff valve be mounted on the pump motor supply circuit to allow trapped air to escape when the supply is shut off.

Without this precaution, the residual air from the engine may cause the motor pump to operate and cause a serious accident.

Similarly, a **material bleed valve** must be installed on the material circuit so that material pressure can be relieved (after shutting off air motor and decompressing it) before any intervention on the equipment. These valves should remain closed for air and open for the material during the procedure.

---

## Injection hazards



"HIGH PRESSURE" technology requires the utmost care.

Operation can cause dangerous leaks. There is a risk of product injection into exposed parts of the body, which can lead to serious injury and the risk of amputation :

- ✓ An injection of product into the skin or other parts of the body (eyes, fingers ...) must be treated urgently by appropriate medical care.
- ✓ Do not look at the gun nozzle when it is under pressure.
- ✓ Never point the gun nozzle at another person.
- ✓ Never attempt to stop the jet with the body (hands, fingers ...) or with rags or similar.

---

## Fire hazards, explosion, electric arc, static electricity



Improper grounding, insufficient ventilation, open flames or sparks can cause an explosion or fire which could result in serious injury.

To avoid these risks, especially when using pumps, it is imperative:

- ✓ Before operating the Pump supply system make sure that all Pump equipment and material containers are grounded,
- ✓ To ensure good ventilation,
- ✓ Keep the work area clean and free of rags, papers, solvents,
- ✓ Do not operate electrical switches in the presence of vapors or during removal,
- ✓ Immediately stop the application in the presence of arcs,
- ✓ Store all liquids outside the work areas.
- ✓ Use products whose flash point is as high as possible to avoid any risk of formation of flammable gases and vapors (consult the product safety data sheets).
- ✓ To equip the drums with a lid to reduce the diffusion of gases and vapors in the cabin.
- ✓ It is forbidden to pump explosive materials

---

## Hazards of toxic products



Toxic products or vapors can cause serious injury through contact with the body, in the eyes, under the skin, but also by ingestion or inhalation. It is imperative :

- ✓ To know the type of product used and the dangers it represents,
- ✓ Store the products to be used in appropriate areas,
- ✓ Contain the product used in the application in a container designed for that purpose,
- ✓ Treat product waste with the legislation of the country where the equipment is used,
- ✓ To wear protective clothing designed for that purpose,
- ✓ Wearing goggles, hearing protectors, gloves, shoes, coveralls and masks for the respiratory tract.



### Attention

**The use of halogenated hydrocarbon solvents and products containing these solvents in the presence of aluminum or zinc is prohibited.**

**Failure to follow these instructions exposes the user to the risk of explosion resulting in serious injury or death.**

---

---

## 2.2 Integrity of the material

---

### Material recommendations



Protectors are put in place for safe use of the equipment.

The manufacturer can not be held responsible in case of:

- ✓ Bodily injury.
- ✓ As well as breakdowns and / or damage to the equipment resulting from the destruction, the misuse or the total or partial withdrawal of the protectors.

---

### Pump

It is imperative to be aware of the compatibility of the motors and pumps before coupling them together as well as the special safety instructions. These instructions can be found in the instruction manuals of the pumps.

The air motor is intended to be coupled to a pump. Never modify the coupling system. Keep hands away from moving parts. The moving parts must be kept clean. Before commissioning or using the motor pump, read carefully the DECOMPRESSURIZATION PROCEDURE. Check the proper operation of the pressure relief and bleed air valves.

---

### Tubing

Recommendations

- ✓ Keep hoses away from traffic areas, moving parts and hot areas.
- ✓ Never subject hoses being produced to temperatures above 80°C or below 0°C.
- ✓ Do not use hoses to pull or move equipment.
- ✓ Tighten all connections and hoses and couplings before operating equipment.
- ✓ Check hoses regularly and replace if damaged.
- ✓ Never exceed the maximum working pressure (MWP) stated on the hose.
- ✓ When fitting the hoses and the gun: PPE must be worn.
- ✓ Tighten to full stop (hoses + gun).

---

## Products implemented

Given the diversity of the products implemented by the users and the impossibility of listing all the characteristics of the chemical substances, their interactions and their evolution over time

**SAMES KREMLIN** can not be held responsible:

- ✓ The poor compatibility of materials in contact.
- ✓ inherent risks to staff and the environment.
- ✓ Wear and tear, maladjustment, malfunction of equipment or machines and the quality of the finished product.

The user will have to identify and prevent the potential dangers inherent to the implemented products such as:



- ✓ Toxic vapors.
- ✓ Fire.
- ✓ Explosions.

It will determine the risks of immediate reactions or due to repeated exposures to the staff.

**SAMES KREMLIN** declines any responsibility, in case of:

- ✓ Bodily or psychic injuries.
  - ✓ Direct or indirect material damage due to the use of chemical substances.
-

### 3 Environment

The equipment must be installed on a horizontal, stable and flat ground (eg concrete slab).

Non-moving equipment must be fixed to the ground by suitable fasteners (spit, screws, bolts, ...) to ensure their stability during use.



To avoid risks due to static electricity, the equipment and its components must be grounded.

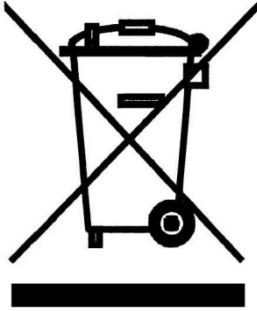
- ✓ **In combination with a pneumatic motor, the hydraulics will be earthed via the earth cable of this motor.** This earth cable must be connected to a safe earth.
- ✓ Have the earth continuity checked by a qualified electrician. If earth continuity is not assured, check terminal, wire and grounding point. Never operate the equipment without solving this problem.



- ✓ **Do not store** more flammable products than necessary inside the work area.
- ✓ These products must be stored in **approved containers** and grounded.
- ✓ Use only grounded **metal buckets** for the use of rinse solvents.
- ✓ **Cartons and papers have to be banned.** Indeed they are very bad conductors, even insulators.

---

### Material marking



Each device is equipped with a identification plate with the name of the manufacturer, the reference of the device, important information for the use of the device (pressure, power, ...) and sometimes against the pictogram shown below.

The equipment is designed and manufactured with high quality materials and components that can be recycled and reused.

European Directive 2012/19 / EU applies to all devices marked with this logo (crossed out bin). Find out about the collection systems available for electrical and electronic devices.

Comply with the rules in your area and **do not dispose of old appliances with household waste**. Proper disposal of this old device will help prevent adverse effects on the environment and human health.

---



## 4 Available Configurations

### 4.1 Rexson part numbers of high viscosity pumps

#### Presentation of the pump REXSON SH106

A very versatile pump, the REXSON SH106 hydraulic is used for airless applications as well as for the extrusion of thick products (>50000 cP\*).

Different configurations are available.

\* 1 cP = 1 mPa.s

#### Significant designation

<b>R E X</b>	<b>SH</b>	<b>0106</b>	-	□	-	□	-	□	-	□
--------------	-----------	-------------	---	---	---	---	---	---	---	---

Ex : R E X SH 0106 - 15 - SS - FP - 01

**Product family**

High viscosity pump : **REX**

**Technology**

Shovel pump **SH**

**Cycle volume**

4 digits in cm<sup>3</sup>

**Air Motor**

None : **XX**  
 Motor 1500 : **15**  
 Motor 3000 : **30**  
 Motor 5000 : **50**  
[Refer table 1](#)

**Seal pack**

PTFE : **01**  
 PTFE + FEP : **02**  
 PE : **03**  
 Leather : **04**  
 PTFEG : **05**  
 PU : **06**  
[Refer table3](#)

**Pump foot**

**FP** : Follower plate  
**D1** : Drum bung mounted 60L  
**D2** : Drum bung mounted 200L  
[Refer table 2](#)

**Material of construction**

**SS** : Stainless steel  
**CS** : Mixed steels  
[Refer table 2](#)

### 4.2 Table 1 Fluid section-Air motor selection

Available Motors		Pressure Ratio	Maximum Air Inlet Pressure		Maximum Outlet Fluid Pressure		Documentation reference
			bar	psi	bar	psi	
<b>XX</b>	NONE	-	-		-		-
<b>10</b>	MOTOR 1500	17 : 1	6	100	100	1500	582141110
<b>30</b>	MOTOR 3000	34 : 1	6	100	200	3000	582140110
<b>50</b>	MOTOR 5000	63 : 1	6	100	380	5500	582146110

R E X     SH     0106    -     -     -     -   

### 4.3 Table 2 Fluid section-Pump foot & Material selection

Available foot pump		Available material	
		SS	CS
		Stainless steel	Mixed steels
<b>FP</b>	Follower plate	✓	✓
<b>D2</b>	Drum bung mounted 200L	x	✓
<b>D1</b>	Drum bung mounted 60L	x	✓

R E X     SH     0106    -     -     -     -

#### 4.4 Table 3 Seals pack selection

Available Seals Packing	Static seals "O"-rings	Upper seals packing	Piston seals packing	Lower valve seals packing
<b>01</b>	PTFE	FKM	PTFE	PTFE
<b>02</b>	PTFE + FEP	FEP	PTFE	PTFE
<b>03</b>	PE	FKM	PTFE and PE	PTFE and PE
<b>04</b>	Leather	FKM	Leather and PE	Leather and PE
<b>05</b>	PTFEG	FKM	PTFEG	PTFEG
<b>06</b>	PU	FKM	PU and PE	PTFEG



PTFE=Polytetrafluoroethylene (Teflon like properties) / PTFEG=PTFE + Graphite (impregnated)  
 PE=Polyethylene (UHMWPE) / FKM=Flouroelastomer (Viton like properties)  
 PU=Polyurethane / PTFEV=PTFE + Glass (impregnated)  
 FEP=Encapsulated O-Ring (Teflon like properties over Viton or Silicone)


## 5 Identification


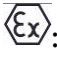
### 5.1 Description of the marking of the plate

#### Principles


This equipment complies with the following provisions:

- ✓ Machinery Directive (2006/42 / EC),
- ✓ Safety of machinery - Basic terms, general implementation guidelines DIN EN ISO 12100 T1/T2
- ✓ ATEX Directive (2014/34 / EU: II 2 G - Group II, Category 2, Gas).

 <p style="text-align: center; font-size: small;">STAINES FRANCE</p> <div style="display: flex; align-items: center; gap: 10px;"> <span>○</span> <span>CE</span> <span>Ex</span> <span>II2G IIA T3</span> </div>	<p><b>POMPE / PUMP</b> <b>REF / SERIE</b></p> <div style="border: 1px solid black; height: 20px; width: 100%;"></div> <p><b>MAX.PRES.(Bar/Psi)</b></p> <p><b>RAPPORT RATIO</b></p> <div style="border: 1px solid black; width: 100%; height: 20px;"></div>	<div style="border: 1px solid black; height: 20px; width: 100%;"></div> <p><b>PROD</b></p> <div style="border: 1px solid black; width: 100%; height: 20px;"></div> <p><b>AIR</b></p> <div style="border: 1px solid black; width: 100%; height: 20px;"></div>
---	--	--

Description		
<b>SAMES KREMLIN</b> <b>STAINS FRANCE</b>	Manufacturer's mark	
<b>POMPE / PUMP</b> <b>REF / SERIE</b>	Pump reference and serial number. The first two digits indicate the year of manufacture.	
<b>MAX. PRES. (Bar/Psi)</b>	<b>PROD</b>	Maximum product pressure (Bar/Psi)
	<b>AIR</b>	Maximum air pressure (Bar/Psi)
<b>RAPPORT / RATIO</b>	Pump pressure ratio	
<b>CE</b>	<b>EC:</b> European conformity	
	<p>: Use in explosive area</p> <p><b>II:</b> group II    <b>2:</b> category 2</p> <p>Surface material intended for an environment in which explosive atmospheres due to gases, vapors, mists are likely to occasionally occur during normal operation.</p> <p><b>G:</b> gas</p>	
<b>IIA T3</b>	<p><b>IIA:</b> Reference gas for equipment qualification</p> <p><b>T3:</b> Maximum surface temperature 200 ° C / 392°F</p>	

## 5.2 Correspondence table new part numbers / Significant designations

New Part Number		Significant Designation
62 MO 0106 M S F 000		REXSH0106-MO-MA-FO-SE
	<b>Options</b>	
<b>MO</b>	<b>Motor</b>	<b>MO</b>
41	MOT1500	15
42	MOT3000	30
43	MOT5000	50
<b>M</b>	<b>Material</b>	<b>MA</b>
1	Mixed Steels	CS
2	Stainless Steel	SS
<b>S</b>	<b>Seal</b>	<b>SE</b>
1	PTFE	01
2	PTFE +FEP	02
3	PTFE /PE	03
4	Leather	04
5	PTFE G	05
6	PU	06
<b>F</b>	<b>Foot</b>	<b>FO</b>
2	Follower plate Ø 80 mm	FP
3	Drum Bung 60L	D1
4	Drum Bung 200L	D2

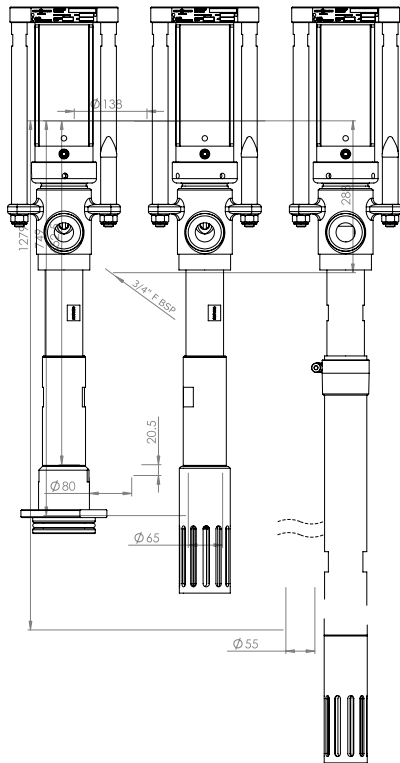
Documentation Reference	
Air Motor 1500	582141110
Air Motor 3000	582140110
Air Motor 5000	582146110

### 5.3 Correspondence table existant part numbers / Significant designations

Existant part number	Significant designation	Motor	Material	Foot	Seal
<b>151 050 000</b>	REXSH0106-30-CS-FP-02	MOT3000 34 : 1	CS Mixed Steels	FP Follower plate Ø 80 mm	02 PTFE +FEP
<b>151 050 500</b>	REXSH0106-50-CS-FP-02	MOT5000 63 : 1	CS Mixed Steels	FP Follower plate Ø 80 mm	02 PTFE +FEP
<b>105 182 13 04</b>	REXSH0106-XX-CS-FP-04	None	CS Mixed Steels	FP Follower plate Ø 80 mm	04 Leather
<b>105 182 13 06</b>	REXSH0106-XX-CS-FP-06	None	CS Mixed Steels	FP Follower plate Ø 80 mm	06 PU
<b>151 050 506</b>	REXSH0106-50-CS-FP-06	MOT5000 63 : 1	CS Mixed Steels	FP Follower plate Ø 80 mm	06 PU
<b>105 182 04 01</b>	REXSH0106-XX-CS-D2-01	None	CS Mixed Steels	D2 Drum Bung 200L	01 PTFE
<b>431 351 820 403</b>	REXSH0106-30-CS-D2-03	MOT3000 34 : 1	CS Mixed Steels	D2 Drum Bung 200L	03 PTFE /PE
<b>997 170 206</b>	REXSH0106- 30-SS-FP-03	MOT3000 34 : 1	SS Stainless steel	FP Follower plate Ø 80 mm	03 PTFE /PE
<b>997 170 210</b>	REXSH0106- XX-SS-FP-03	None	SS Stainless steel	FP Follower plate Ø 80 mm	03 PTFE /PE
<b>421 351 820 203</b>	REXSH0106- 15-CS-FP-03	MOT1500 17 : 1	CS Mixed Steels	FP Follower plate Ø 80 mm	03 PTFE /PE

## 6 Technical characteristics and performance

### 6.1 General characteristics



Technical characteristics	
Volume per cycle	106 cm <sup>3</sup> / 3,58 oz
Stroke	120 mm / 4,72 in
Fluid outlet connections	3/4" F BSPP
Weight	9,5 kg / 20,9 lb
Maximum fluid temperature	80°C / 176°F
Wetted parts	Depending on materials of construction and seals kits
Packings	Depending on seal kit

Available Motors		Motor selection			
		XX	15	30	50
		NONE	MOTOR 1500	MOTOR 3000	MOTOR 5000
<b>Pressure Ratio</b>		-	17 : 1	34 : 1	63 : 1
<b>Maximum Air Inlet Pressure</b>	bar	-	6	6	6
	psi	-	100	100	100
<b>Maximum Outlet Fluid Pressure</b>	bar	-	100	200	380
	psi	-	1500	3000	5500
<b>Minimum Outlet Fluid Pressure</b>	bar	-	26	51	95
	psi	-	600	740	1371
<b>Complete Pump Weight</b>	Kg	-	15	17	30
	Lbs	-	33.1	37.5	66.2
<b>Air consumption 15 Cycles/min @ 4 bar</b>	NL.min-1	-	108	216	401
	scfm	-	3,8	7,6	14,1
<b>Air inlet fitting</b>	Female BSPP	-	1 / 2 "	1 / 2 "	3 / 4 "

scfm= Standard cubic feet of gas per minute



**(General characteristics - continued)**

Pump foot		Technical characteristic
<b>FP</b>	Follower Plate	Ø 80 mm
<b>D1</b>	Drum Bung mounted	60 liters
<b>D2</b>	Drum Bung mounted	200 liters

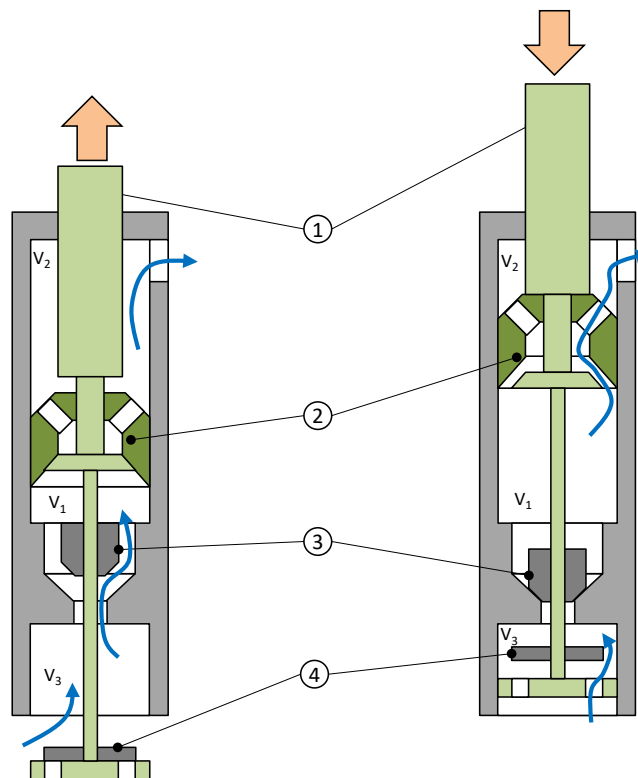
Materials of construction		SS	CS
		Stainless steel	Mixed steels
<b>Pump body</b>	Wet Cup	Stainless steel	Stainless steel
	Upper body	Stainless steel	Stainless steel
	Cylinder	Stainless steel chromed	Stainless steel chromed
<b>Piston (Upper check)</b>	Piston rod	Stainless steel chromed	Stainless steel chromed
	Nut	Stainless steel	Carbon steel
	Valve cone	Stainless steel	Carbon steel
	Valve seat	Stainless steel	Carbon steel
<b>Lower valve (Lower check)</b>	Body	Stainless steel	Carbon steel
	Cone	Stainless steel	Carbon steel
	Seat	Stainless steel	Carbon steel
<b>Foot</b>	Rod	Stainless steel chromed	Stainless steel chromed
	Shovel	Stainless steel	Stainless steel
	Inlet tube	Stainless steel	Carbon steel

## 6.2 Principle of operation

### Expected use

These pumps coupled to air or hydraulic motors are intended for transferring or spraying different liquid or pasty products with a desired flow rate and output pressure.

### Functional description



When the piston (1) rises, the upper flap (2) closes, the lower flap (3) opens and the pallet (4) closes. The piston (1) expels the product from the upper chamber (V2) to the outside and sucks the product to fill the lower chamber (V1). The pallet pushes the product into the pump foot (V3)

When the piston (1) is lowered, the upper flap (2) opens, the lower flap (3) closes and the blade (4) opens. The piston (1) compresses the fluid in the lower chamber (V1) and transfers it to the upper chamber (V2). Since the volume of the upper chamber (V2) is half that of the lower chamber (V1), a volume equivalent to the upper chamber (V2) is expelled from the pump. The pallet (4) exits the pump foot (V3) without expelling the product.

**ATTENTION!**

The friction generated by the movement of the product inside the pump and its accessories, as well as that caused by the seals, creates static electricity that can cause fire or explosion. Therefore, the fluid section system must be earthed via the motor ground cable (see the motor instruction manual for its ground connection).

---

## 7 Installation

---

### 7.1 Handling

Fluid sections of great weight and size must be handled with suitable lifting equipment.

### 7.2 Connections subsets



- ✓ These fluid sections are intended to be coupled to motors (pneumatic or hydraulic) with compatible stroke.
- ✓ It is imperative to comply with an air motor / hydraulic combination provided by **SAMES KREMLIN**
- ✓ Make sure that all connections of the pump and fluid section components - cables, hoses and pipes - are installed in such a way that they do not cause people to fall.
- ✓ Make sure that the order in which the cables, hoses and pipes are connected is in accordance with the connection diagram.
- ✓ Make sure that all cable connectors, hose and pipe connections are correctly fitted.
- ✓ Remember that unconnected or incorrectly connected cables, hoses and pipes can lead to malfunctions that endanger the safety of operating personnel.

---

#### 7.2.1 Fluid supply connection



- ✓ If the supply pressure is higher than the max. pressure, it is necessary to install a fluid pressure regulator in front of the equipment.
  - ✓ Ensure that a short product hose reduces pressure fluctuations and pressure drops.
  - ✓ Make sure that the fluid supply is properly made. The nominal size of the fitting to be used depends on the nominal size of the fluid hose.
-

## 7.2.2 Air supply connection

- ✓ Ensure that in bound air supply and hose are of correct size to reduce pressure fluctuations and pressure drops.
- 

## 7.3 Storage

### Pump

Place the equipment away from moisture after closing the various air inlets and various openings (plugs).

Storage before installation:

- ✓ Storage ambient temperature: 0 / +50 ° C.
- ✓ Protect the unit against dust, water runoff, moisture and shocks.

Storage after installation:

- ✓ Protect the unit against dust, water runoff, moisture and shocks.
-

---

## 8 Commissioning

---



The fluid sections are integrated in a system, if necessary refer to any additional instructions for further information on commissioning.

---

### **Pump**

Pumps are tested for operation at the factory using a light weight oil lubricant.

Before commissioning, this lubricant must be removed by flushing with a suitable solvent.

At the end of the day, flush with a suitable solvent.

It is advisable to stop the fluid section in the "low" position in order to prevent the product from taking hold of the piston rod.

---

### **Motor**

The Air motors are tested before their shipment. Nevertheless:

- ✓ Before coupling the Air motor to a fluid section pump, it is recommended to run the air motor at a low air pressure (1 bar / 14.5 psi max) for a few minutes.
  - ✓ Couple the motor with the recommended pump fluid section.
-

---

## 9 Use of the product

---

### 9.1 User settings

---

#### **Wet cup**

Before commissioning, fill the wet cup halfway with lubricant "T".

The wetting cup nut must be tightened moderately. Overtightening quickly damages the gland packing. A wrench is supplied to allow proper tightening.

---

#### **Tightening of the wet cup**

- ✓ Verify cup is filled with lubricant T,
  - ✓ Run the pump, then tighten the cup after 10 minutes, again after 1 hour, then after 1 day of operation,
  - ✓ In the event of a leak, the cup must be tightened.
- 

#### **Tightening procedure**

- ✓ Depressurize the Air motor (see depressurization procedure),
  - ✓ Depressure the product circuit (see depressurization procedure),
  - ✓ Tighten the cup, clean it and fill it with lubricant T,
  - ✓ Close the pump purge circuits,
  - ✓ Open the Air motor air valve.
-

---

## 9.2 Safety in production



**Guards (motor cover, coupling guard, housings, ...) are set up for safe use of the equipment.**

**The manufacturer can not be held responsible in case of bodily injury as well as breakdowns and / or damage of the material resulting from the destruction, the occultation or the total or partial removal of the protectors.**

---

## 9.3 Start up



Pumps are tested for operation at the factory using a light weight oil lubricant.

Before starting up, you must flush the pump with the appropriate solvent.

At the end of the working day, carry out a flushing with the appropriate solvent. We advice you to stop the fluid section in the "low position" to prevent material spreading on the piston rod.

---



---

## 9.4 Shutdown procedure

---

### Pump



**To avoid the risk of personal injury, material injections, injuries caused by moving parts or electric arcs, it is imperative that the following procedure be followed before any work is carried out when shutting down the system, assembling, cleaning or changing the nozzle.**

- ✓ Lock the guns (valve, tap...) on OFF.
- ✓ Shut off the air supply through the shut off valve to remove residual air from the motor.
- ✓ Unlock the gun (valve, tap...).
- ✓ Bring the gun (valve, tap...) close to a metal bucket in order to recover the product. Hold it against the wall of the bucket to avoid interrupting the grounding continuity (if necessary, use the wire with clamp to ground the metal bucket).
- ✓ Open the gun (valve, tap) in order to drain the circuit.
- ✓ Lock the gun (valve, tap) in the OFF position.
- ✓ Open the pump drain valve and collect the fluid in a properly grounded metal pail.
- ✓ Leave the bleed valve open during the entire operation.



**Check the conformity of the wiring before intervention.**

---

## 9.5 Diagnostic help / Troubleshooting guide

### Possible symptoms of faults / Causes of faults / Remedies to apply

Defaults	Possible causes	Remedies
Leakage at the cup seals	Insufficient tightening of the packing nut	Tighten the cup.
	Incorrect assembly of seals	Check the assembly.
	Damaged or worn seals	Replace them.
	Incorrect selection of the material of the joints	Check compatibility.
The cup seals get rapidly damaged	No lubricant in the cup (pumped product drying on the piston rod).	Clean, replace parts if necessary. When stopping for a long time, stop the pump with the piston in the low position.
	Product compatibility / seals	Check.
The pump is stopped	The fluid is polymerized, hardened, dried in the pump.	Clean the pump, change the parts if necessary.
	The cup is too tightened.	Loosen.
	Broken part(s) in the pump.	Remove, check, replace.
The motor seems to operate but the pump does not deliver product	Internal parts of the motor failing	Check the operating of the motor.
	Defective coupling.	Check coupling.
The pump operates but irregular flow	Valve clogged on the seat, incorrectly mounted or worn.	Check mounting, state of the parts, tightening of parts and seals.
	Air inlet in the suction circuit.	
At stop, pump piston continues to move on going down	Valve worn or incorrectly mounted	Check and replace parts.
	Plug or drain valve not tightened	
At stop, pump piston continues to move on going up	Head piston seals or upper valve worn or incorrectly mounted.	Check and replace parts.
	Plug or drain valve not tightened	

Defaults	Possible causes	Remedies
Pump strokes quickly downward (simple effect working)	Bad feeding of the pump.	Check use parameters of the accessories (pressure on follower plate or suction rod,...). Accessories can be not adapted or clogged.
	Product is too viscous.	Bad definition of the pump.
	Lower valve worn.	Check and replace parts.
	A foreign product obstructs the lower valve.	Clean and check.
Pump strokes quickly upward	Valve worn or damaged.	Check and replace parts.
	A foreign product obstructs the upper valve.	Clean and check.
Pump cycles up and down at different speeds	Valve, head piston seals or cylinder worn.	Replace parts.
	Seals incorrectly mounted or damaged	Check the mounting; change if necessary.
The pump does not deliver enough pressure	Insufficient air pressure to the motor (valve insufficiently open, air leak,...)	Check; adjust.
	Insufficient air inlet on the motor or outlet clogged.(hose not adapted)	Check filter, mounting, hose not adapted.
	Cup or head piston seals too tightened.	Check mounting or loosen cup nut.
Abnormal operating after racing or to elevated temperature.	Head piston or cup seals too tightened, damaged.	Check mounting; reduce pumping rhythm. Replace parts if necessary.
	Product drum empty.	Fill the drum; check the suction circuit and possible air leakage.
Fluid leakage from the pump body	Cylinder tightened	Check parts and change them if necessary
	No seals or seals damaged	

---

## 10 Maintenance

---



### Attention

Before any pump maintenance or service work performed, it is imperative to follow the depressurization procedure and the safety instructions.

Only qualified personnel should be allowed to carry out the following interventions. Observe the safety instructions given in this and all other documentation.

These procedures cover only the most common problems. If the information given here does not solve the problem you are experiencing, please contact your local **SAMES KREMLIN** representative for assistance.

During prolonged shutdown, stop the pump when the piston is in the low position.



Guards (motor cover, coupling guard, housings, ...) are set up for safe use of the equipment.

The manufacturer can not be held responsible in case of bodily injury as well as breakdowns and / or damage of the material resulting from the destruction, the occultation or the total or partial removal of the protectors.

## 10.1 Preventive maintenance plan



### ATTENTION

Before any pump maintenance or service work performed, it is imperative to follow the depressurization procedure and the safety instructions.

Routine maintenance after a certain number of operating hours is recommended.

This is defined by the service department of the user and depends on the product, the working cycle and the usual pressure.

Take note of the disassembly/reassembly of the pump and the spare parts.

## Fluid section

### Daily

- ✓ Detect leaks at connections.
- ✓ Check the condition of the hoses.
- ✓ Observe the piston rod of the pump. Do not let the product dry onto the piston rod.
- ✓ Check the lubricant level inside the cup (keep it at half level).  
Fill it if necessary. It is normal for this lubricant to stain.
- ✓ Tighten the packing cup moderately with the supplied wrench, if necessary.
- ✓ Check the tightness of the components.
- ✓ If the pump is equipped with a pusher plate:
  - check the condition of the plate seal,
  - clean the top and bottom of the follower plate.
- ✓ Operate all valves in the system.
- ✓ Clean the site and the environment.

### Twice a month

- ✓ If the lubricant is strongly colored in the cup, renew it.
- ✓ Check that the cup remains clean and clean it regularly with solvent after draining the lubricant.

---

## 10.2 General preconsation maintenance

---



### ATTENTION

Before any pump maintenance or service work performed, it is imperative to follow the depressurization procedure and the safety instructions.

---

### Before each reassembly

- ✓ Clean the parts with the appropriate cleaning solvent.
  - ✓ Fit new seals if necessary, after greasing them.
  - ✓ Grease the piston and the inside of the cylinder to avoid damaging the seals.
  - ✓ Fit new parts if necessary.
-

## 11 Disassembly / Reassembly operation



### ATTENTION

Before any pump maintenance or service work performed, it is imperative to follow the depressurization procedure and the safety instructions.



### ATTENTION

The equipment is subject to the ATEX directive and must not be modified under any circumstances.

Failure to comply with this recommendation does not engage our responsibility.

### Before each reassembly

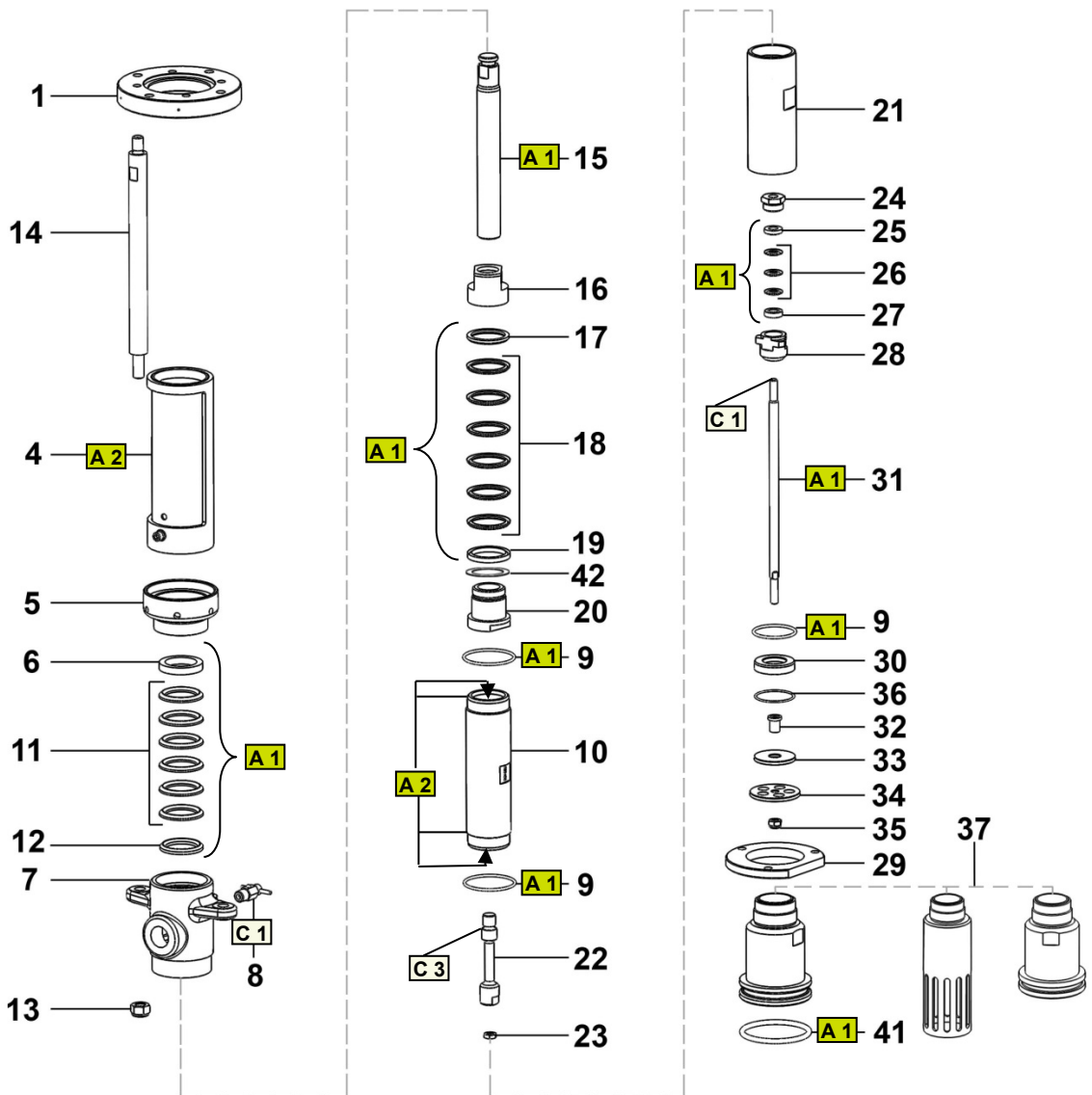
- Clean the parts with the appropriate cleaning solvent.
- Fit new seals if necessary, after greasing them.
- Grease the piston and the inside of the cylinder to avoid damaging the seals.
- Fit new parts if necessary.

### Greases and thread lockers designations

Index	Instruction	Description	Part number
<b>A 1</b>	PTFE grease	'TECHNI LUB' grease (10 ml / 0.0026 US gal)	560.440.101
<b>A 2</b>	Anti-seize grease	Grease box (450 g / 0.99 lb)	560.420.005
<b>C 1</b>	Medium strength Aneorobic Pipe sealant	Loctite 5772 (50 ml / 0.013 US gal)	554.180.015
<b>C 3</b>	Medium strength Aneorobic Adhesive	Loctite 270 (50 ml / 0.013 US gal)	554.180.004

**Fluid section Follower plate and drum bung 60L**

REXSH0106-□-CS-FP-□  
 REXSH0106-□-□-D1-□  
 REXSH0106-□-SS-FP-□

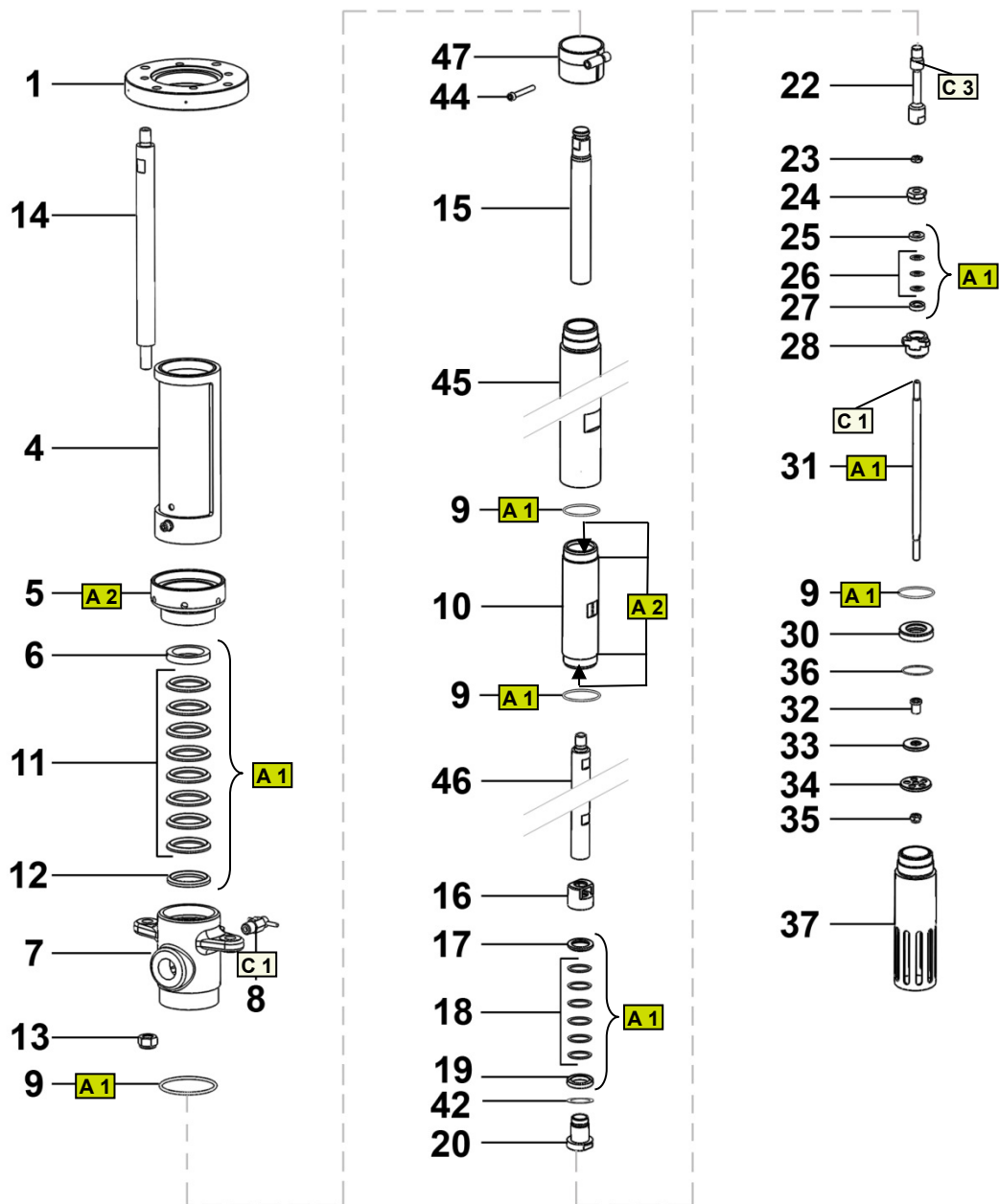


(For a full description of spare parts, see Part 12 - Spare Parts)



Fluid section drum bung 200L

REXSH0106-□-□-□-□-□-□



(For a full description of spare parts, see Part 12 - Spare Parts)

---

## Disassembly of the pump

- ✓ Unscrew the 2 nuts (13) and put aside the flange (1), the tie rods (14) and the protection (4),
- ✓ Clamp the pump horizontally through the body with a vice (7),
- ✓ Unscrew the nut (35) and take off the shovel (34), the washer (33) and the spacer (32),
- ✓ Unscrew the tube (37) and take off the seal (36),
- ✓ Unscrew the valve body (21) and the outlet with the lower valve (28) and its seat (30),
- ✓ Remove the piston / shovel rod assembly,
- ✓ Unscrew the cylinder (10).

---

*For the pump model REXSH0106-□-□-D2-□ only :*

- ✓ *Untighten the screw (44) and remove the ring (47),*
- ✓ *Remove the extension (45).*

---

## Cup seals

- ✓ Unscrew the cup (5),
- ✓ Take off the washers (6 & 12) and the seals (11),
- ✓ Remove the seals.
- ✓ Reinstall the parts in the reverse order of the disassembly sequence.

---

## Lower valve

- ✓ Take off the valve body (21), the seat (30) and the lower valve assembly,
  - ✓ Unscrew the cup nut (24),
  - ✓ Take off the male washer (25), the seals (26) and the female washer (27),
  - ✓ Take off the seal (9),
  - ✓ Reinstall the parts in the reverse order of the disassembly sequence.
-

---

**Upper valve**

- ✓ Unscrew the nut (23) and the shovel rod (31),
  - ✓ Unscrew the piston valve (22),
  - ✓ Unscrew the piston bush (20) and remove the piston nut (16), the male washer (17), the piston seals (18) and the female washer (19),
  - ✓ Reinstall the parts in the reverse order of the disassembly sequence.
-

---

**Reassembly of the fluid section :**

- ✓ Lubricate the wetting cup seals and the piston head seals,
- ✓ Locate the seals (9) inside the pump body (7) of the valve body (21) (and of the extension (45) for the pump, model *REXSH0106-□-□-D2-□* only),
- ✓ Slide the piston rod assembly (15) inside the piston (7), push it upwards;

*For the pump model REXSH0106-□-□-D2-□ only :*

- *Screw the extension (45) into the body (7) to stop,*
- *Install the ring (47) around the extension (45).*

- ✓ Screw the cylinder (10),
- ✓ Screw the shovel rod (31) and tighten the nut (23),
- ✓ Screw the valve body (21) on the cylinder (10),
- ✓ Slide the lower valve (28) on the shovel rod (31) and tighten slightly the cup nut (24),
- ✓ Install the seal (9) in the valve body (21),
- ✓ Install the seat (30) and push it in its housing,
- ✓ Locate the seal (36) inside the valve body (21),
- ✓ Screw the filling tube (37),
- ✓ Install the spacer (32), the washer (33) and the shovel (34) on the shovel rod (31),
- ✓ Screw the lock nut (35),
- ✓ Screw slightly the cup (5),
- ✓ Re assemble the pump to the pneumatic motor according to the instructions of the pump instruction manual.

**Before each reassembly**

- ✓ Clean the parts with the appropriate cleaning solvent.
  - ✓ Fit new seals if necessary, after greasing them.
  - ✓ Grease the piston and the inside of the cylinder to avoid damaging the seals.
  - ✓ Fit new parts if necessary.
-

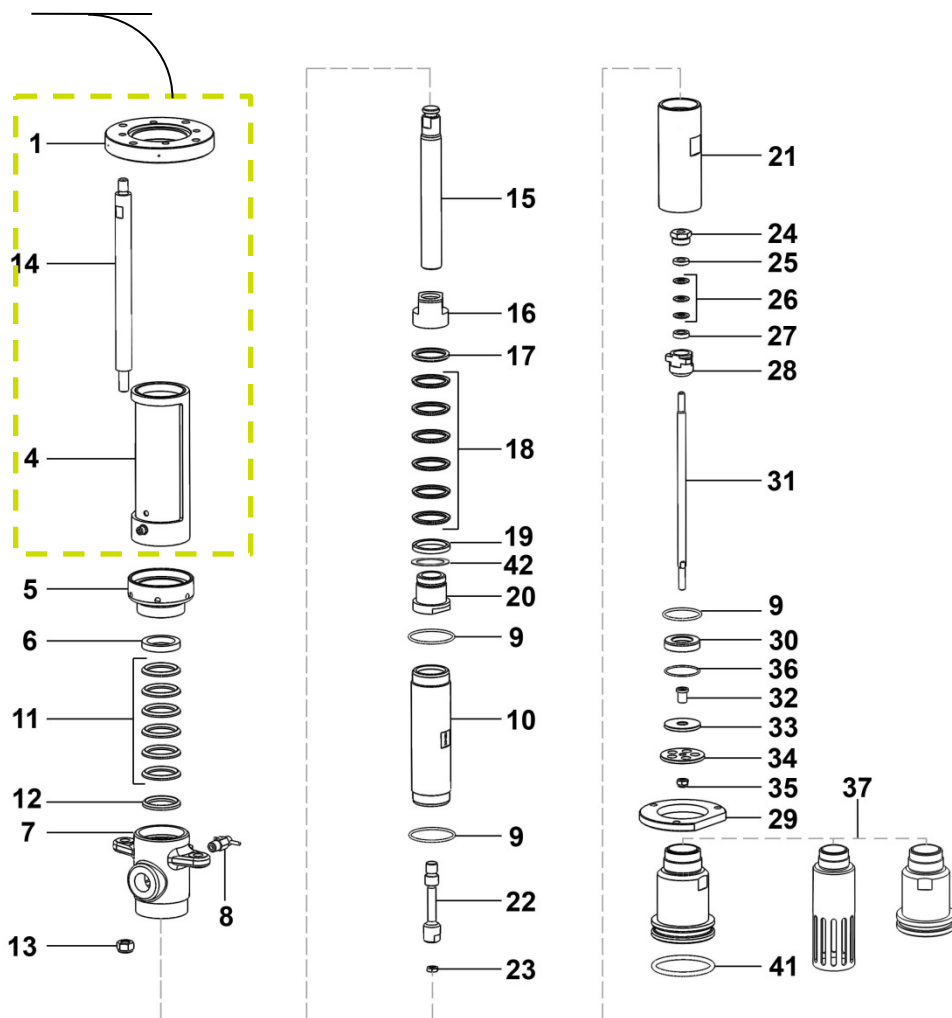
## 12 Spare parts

Use only genuine **SAMES KREMLIN** accessories and spare parts designed to withstand the pump's operating pressures.

### Fluid section follower plate and drum bung 60L

REXSH0106-□-CS-FP-□  
 REXSH0106-□-□-D1-□  
 REXSH0106-□-SS-FP-□

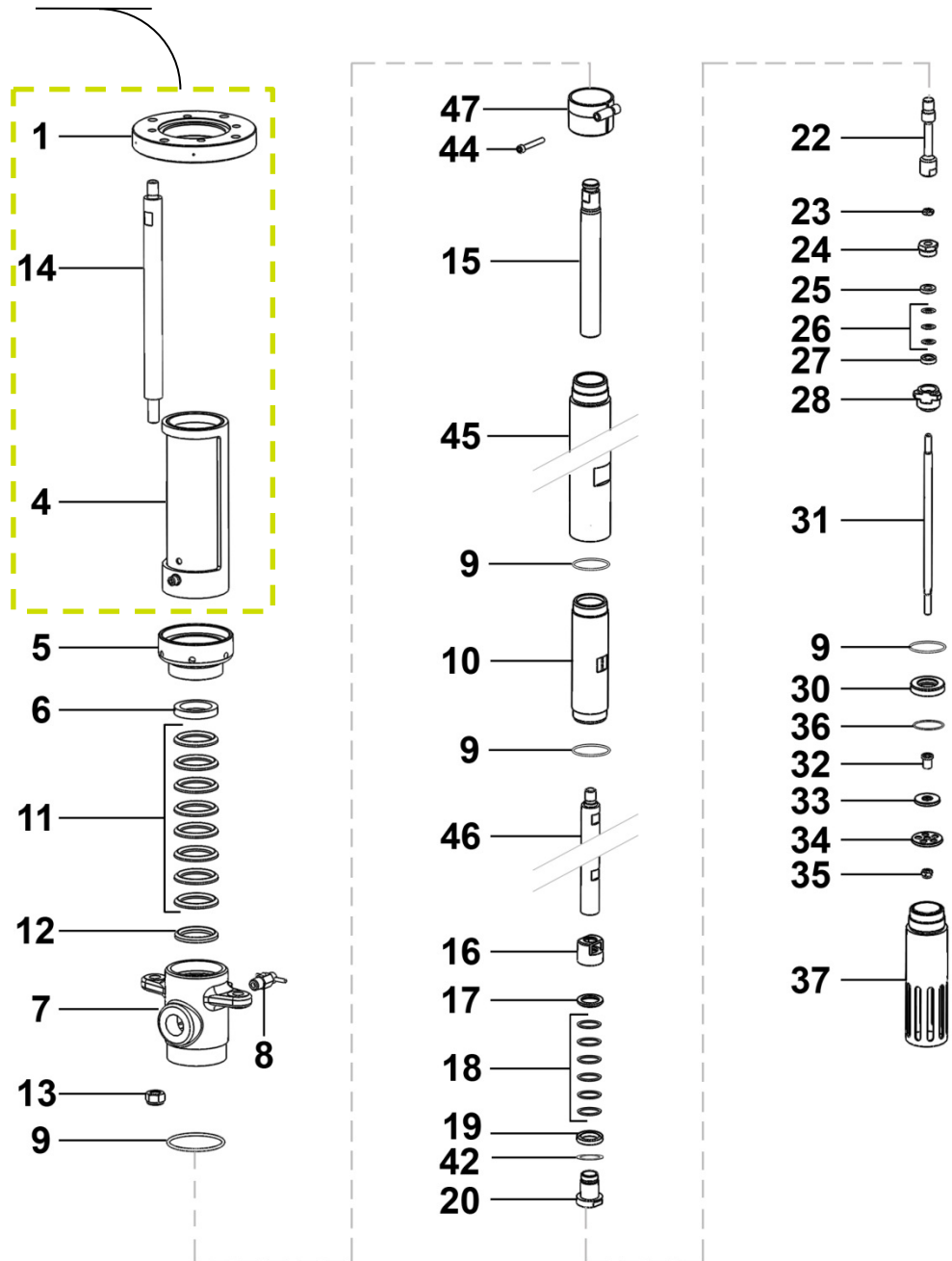
**WARNING:** these parts are not supplied with the fluid section alone as they depend on the engine.

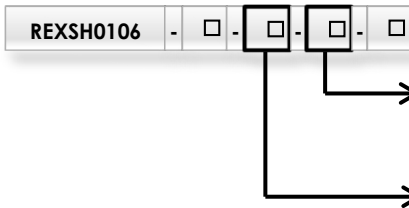


**Fluid section drum bung 200L**

REXSH0106-□-□-D2-□

**WARNING:** these parts are not supplied with the fluid section alone as they depend on the engine.





<b>FP</b>	<b>D1</b>	<b>D2</b>	<b>FP</b>
<b>Follower Plate</b>	<b>Drum Bung 60L</b>	<b>Drum Bung 200L</b>	<b>Follower Plate</b>
<b>CS</b>	<b>SS &amp; CS</b>	<b>SS &amp; CS</b>	<b>SS</b>
<b>Carbon Steel</b>	<b>Carbon Steel &amp; Stainless Steel</b>	<b>Carbon Steel &amp; Stainless Steel</b>	<b>Stainless Steel</b>

Ind.	Description	# Ref.				Qty	Spare part maintenance level**
***1	Connection flange	See motor coupling kit table				1	3
***4	Protection	See motor coupling kit table				1	3
5	Wetting cup nut	044 200 005				1	3
*6	'F' washer	See repair kit table				1	1
7	Pump body	209 623				1	3
8	Plug	210 431				1	3
9	O-Ring	According to seal kit				2	1
10	Cylinder	209 680				1	2
*12	'M' washer	N.S.				1	1
13	Lock nut	88 335				2	3
***14	Tie-rod	See motor coupling kit table				2	3
*15	Piston rod	209 626				1	2
*16	Piston nut	209 682				1	1
*17	'M' washer	N.S.				1	1
*19	'F' washer	N.S.				1	1
*20	Piston bush	209 683				1	1
21	Valve body	209 664		209 713		1	3
*22	Piston valve	209 681				1	2
23	Nut	88 533				1	3
24	Wetting cup nut	8 253				1	3
*25	'M' washer	N.S.				1	1
*27	'F' washer	N.S.				1	1
*28	Lower valve	206 279				1	1
29	Flange	210 056	-	-	210 056	1	3
*30	Seat	N.S.				1	1
31	Shovel rod	209 667				1	3
32	Shovel spacer	209 668				1	3
33	Counter shovel	209 669				1	3
*34	Shovel	209 670				1	1
35	Lock nut	88 329				1	3
37	Filling tube	209 707	210 337	210 167	209 716	1	3

\* Recommended maintenance parts.  
\*\*Level 1 : Preventive maintenance

N S: Denotes parts are not serviceable.  
Level 2 : Corrective maintenance

Level 3 : Exceptional maintenance

REXSH0106 - □ - □ - □ - □

FP	D1	D2	FP
Follower Plate	Drum Bung 60L	Drum Bung 200L	Follower Plate
CS	SS & CS	SS & CS	SS
Carbon Steel	Carbon Steel & Stainless Steel	Carbon Steel & Stainless Steel	Stainless Steel

Ind.	Description	# Ref.				Qty	Spare part maintenance level**
44	Screw	-	-	88 145	-	1	3
45	Cylinder extension	-	-	210 166	-	1	3
46	Piston extension	-	-	210 172	-	1	3
47	Ring	-	-	401 237	-	1	3
*	O-Ring	-	-	84 180	-	1	1
*	Repair kit	105 437 (Ind. 6, 12, 17, 19, 25, 27, 30)				1	1
*	Seal kit	Depending upon choice - refer to table (Ind. 9, 11, 18, 26, 36, 41, 42)				1	1

\* Recommended maintenance parts.

\*\*Level 1 : Preventive maintenance

N S: Denotes parts are not serviceable.

Level 2 : Corrective maintenance

Level 3 : Exceptional maintenance

## Lower adapter flange

Ind.	Description	# Ref.	Qty	Spare part maintenance level**
-	Lower adapter flange for motors 1500, 3000	144 246 295	1	3
**1	▪ Connecting flangen	N.S. (209 600)	1	
**4	▪ Protective housing	N.S. (044 200 010)	1	
**10	▪ Tie-rod	N.S. (209 601)	2	

\* Recommended maintenance parts.

\*\*Level 1 : Preventive maintenance

N S: Denotes parts are not serviceable.

Level 2 : Corrective maintenance

Level 3 : Exceptional maintenance

Ind.	Description	# Ref.	Qty	Spare part maintenance level**
-	Lower adapter flange for motor 5000	144 245 295	1	3
**1	▪ Connecting flangen	N.S. (210 447)	1	
**4	▪ Protective housing	N.S. (044 200 010)	1	
**10	▪ Tie-rod	N.S. (209 601)	2	

\* Recommended maintenance parts.

\*\*Level 1 : Preventive maintenance

N S: Denotes parts are not serviceable.

Level 2 : Corrective maintenance

Level 3 : Exceptional maintenance



## Repair kit

Ind.	Description	# Ref.	Qty	Spare part maintenance level**
-	<b>Repair kit</b>	<b>105 437</b>	<b>1</b>	<b>1</b>
*6	▪ 'F' washer	209 630	1	
*12	▪ 'M' washer	209 631	1	
*17	▪ 'M' washer	209 685	1	
*19	▪ 'F' washer	209 684	1	
*25	▪ 'M' washer	209 674	1	
*27	▪ 'F' washer	209 673	1	
*30	▪ Seat	209 665	1	

\* Recommended maintenance parts

## Recommended seals packs

Code	Composition	Use
01	PTFE (+ FKM)	Solvent - Ether - Ketone - Aromatic alcohol - some varnishes and paints
02	PTFE (+ FKM / FEP)	Solvent - Ether - Ketone - Aromatic alcohol - some varnishes and paints, PU paints - Pharmacy - Cosmetics - Some foodstuffs
03	PTFE + PE (+ FKM)	Epoxy glue - Butyl - Silicone - Some varnishes - Paint
04	PE + LEATHER (+ FKM)	Paint - Varnishes - Grease - Oil - Ink - Hydro soluble paint
05	GRAPHITED PTFE (+ FKM)	Paints - Varnishes - Inks - PVC compounds - Butyl
06	PU + GRAPHITED PTFE (+ FKM)	Mastics - PVC - Butyl

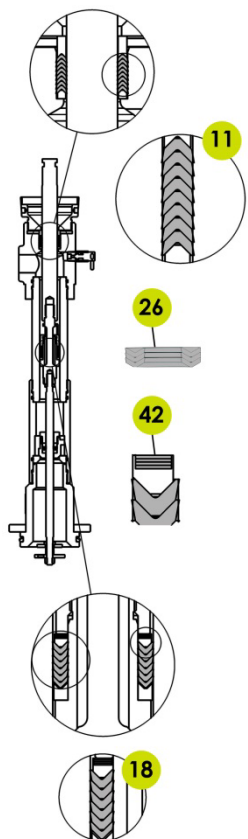
\* Allows a better mechanical resistance

## Accessory

Ind.	Description	# Ref.	Qty
-	<b>Bottle of lubricant T (125 ml / 0,034 oz)</b>	<b>149 990 020</b>	<b>1</b>

**Seals packs composition: 01 to 03**

Seals Pack: # :		01 105 280			02 105 281			03 105 282		
Ind.	Description	Qty	#	Material	Qty	#	Material	Qty	#	Material
9	O-Ring	3	84 180	FKM	3	84 393	FKM / FEP	3	84 180	FKM
<b>11</b>	Cup packing	8	209 633	PTFE	8	209 633	PTFE	4	209 633	PTFE
								4	209 634	PE
*36	O-Ring	1	84 391	PTFE	1	84 391	PTFE	1	84 391	PTFE
<b>18</b>	Piston packing	7	209 686	PTFE	6	209 686	PTFE	3	209 686	PTFE
								3	209 687	PE
<b>26</b>	Shovel seal	3	8 146	PTFE	3	8 146	PTFE	3	8 146	PTFE
41	O-Ring	1	909 130 540**	FKM	1	91 864	FKM	1	909 130 540**	FKM
		1	Or 84 180**					1	Or 84 180**	
<b>42</b>	Adjustment block	4*	210 343	ST STEEL	4*	210 343	ST STEEL	4*	210 343	ST STEEL



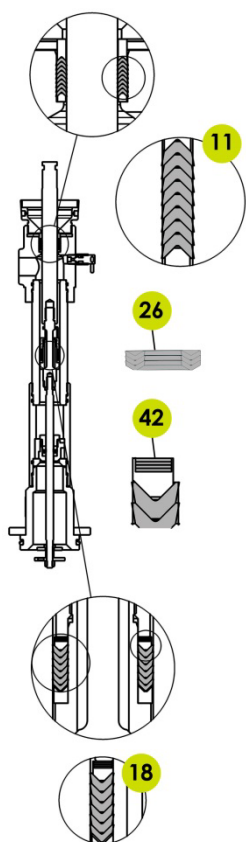
<b>11</b>			<b>11</b>			<b>11</b>		
PTFE	→	^	PTFE	→	^	PTFE	→	^
PTFE	→	^	PTFE	→	^	PE	→	^
PTFE	→	^	PTFE	→	^	PTFE	→	^
PTFE	→	^	PTFE	→	^	PE	→	^
PTFE	→	^	PTFE	→	^	PTFE	→	^
PTFE	→	^	PTFE	→	^	PE	→	^
PTFE	→	^	PTFE	→	^	PTFE	→	^
PTFE	→	^	PTFE	→	^	PE	→	^
<b>18</b>			<b>18</b>			<b>18</b>		
PTFE	→	v	PTFE	→	v	PE	→	v
PTFE	→	v	PTFE	→	v	PTFE	→	v
PTFE	→	v	PTFE	→	v	PE	→	v
PTFE	→	v	PTFE	→	v	PTFE	→	v
PTFE	→	v	PTFE	→	v	PE	→	v
PTFE	→	v	PTFE	→	v	PTFE	→	v
<b>26</b>			<b>26</b>			<b>26</b>		
PTFE	→	v	PTFE	→	v	PTFE	→	v
PTFE	→	v	PTFE	→	v	PTFE	→	v
PTFE	→	v	PTFE	→	v	PTFE	→	v

\* Quantity to be assembled as required \*\* According to pump

PTFE G = Graphited PTFE

**Seals packs composition: 04 to 06**

Seals Pack: # :		04 105 283			05 105 284			06 105 314		
Ind.	Description	Qty	#	Material	Qty	#	Material	Qty	#	Material
9	O-Ring	3	84 180	FKM	3	84 180	FKM	3	84 180	FKM
<b>11</b>	Cup packing	3 4	209 635 209 634	LEATHER PE	8	209 636	PTFE G	3 1 1	84 410 209 634 211 752	PU PE ACETAL RESIN
*36	O-Ring	1	84 391	PTFE	1	84 391	PTFE	1	84 391	PTFE
<b>18</b>	Piston packing	3 3	209 688 209 687	LEATHER PE	6	209 689	PTFE G	6	209 689	PTFE G
<b>26</b>	Shovel seal	3	8 146	PTFE	3	8 146	PTFE	3	8 146	PTFE
41	O-Ring	1 1	909 130 540** Or 84 180**	FKM	1 1	909 130 540** Or 84 180**	FKM	1 1	909 130 540** Or 84 180**	FKM
<b>42</b>	Adjustment block	4*	210 343	ST STEEL	4*	210 343	ST STEEL	4*	210 343	ST STEEL



<b>11</b>			<b>11</b>			<b>11</b>		
PE	→	^	PTFE G	→	^	ACETAL		
LEATHER	→	^	PTFE G	→	^	RESIN	→	^
PE	→	^	PTFE G	→	^	PU	→	^
LEATHER	→	^	PTFE G	→	^	PU	→	^
PE	→	^	PTFE G	→	^	PU	→	^
LEATHER	→	^	PTFE G	→	^	PE	→	^
PE	→	^	PTFE G	→	^			
			PTFE G	→	^			
			PTFE G	→	^			
<b>18</b>			<b>18</b>			<b>18</b>		
PE	→	v	PTFE G	→	v	PTFE G	→	v
LEATHER	→	v	PTFE G	→	v	PTFE G	→	v
PE	→	v	PTFE G	→	v	PTFE G	→	v
LEATHER	→	v	PTFE G	→	v	PTFE G	→	v
PE	→	v	PTFE G	→	v	PTFE G	→	v
			PTFE G	→	v	PTFE G	→	v
			PTFE G	→	v	PTFE G	→	v
<b>26</b>			<b>26</b>			<b>26</b>		
PTFE	→	v	PTFE	→	v	PTFE	→	v
PTFE	→	v	PTFE	→	v	PTFE	→	v
PTFE	→	v	PTFE	→	v	PTFE	→	v