

# Cyclomix<sup>®</sup> Evo (Spare parts)

Instruction manual

**DRT582234110**

B - 2023/08

No part of this document may be communicated or reproduced in any form, nor may its contents be used or communicated, without the express written permission of **Sames**.

The descriptions and characteristics contained in this document are subject to change without notice.

© Sames 2023 - Translation from the original manual

**Sames** produces its user manual in French and has it translated into English, German, Spanish, Italian and Portuguese. It has reservations about translations into other languages and declines all responsibility in this respect.

## Services



### Certification and referencing

**Sames** is certified as a training centre by the DIRRECTE of the Auvergne Rhône Alpes region under the number 84 38 06768 38.

Throughout the year, our company provides training courses that enable you to acquire the know-how required for the implementation and maintenance of your equipment in order to guarantee its long-term performance.

A catalogue is available on request.

[www.sames.com/usa/en/services-training.html](http://www.sames.com/usa/en/services-training.html)



### Line audit

As part of a technical assistance programme for our customers using **Sames** equipment, line audits are designed to help you optimise and control your production tool.

Our network of experts is continuously trained and qualified to provide our customers with technical expertise on the liquid or powder installations in which our equipment is integrated. The overall environment of the production lines is taken into account during this technical audit.

A brochure is available for download:

[www.sames.com/usa/en/services-service-contract.html](http://www.sames.com/usa/en/services-service-contract.html)



### Maintenance contract

An annual maintenance contract (including or not the consumables to be replaced during each intervention) can be considered with the partnership of **Sames**. It is associated with a preventive maintenance plan established during a first audit visit which details the control points necessary to guarantee the performance of the installed equipment.

[www.sames.com/usa/en/services-service-contract.html](http://www.sames.com/usa/en/services-service-contract.html)



### Hotline

[www.sames.com/usa/en/services-service-contract.html](http://www.sames.com/usa/en/services-service-contract.html)

## Cyclomix® Evo (Spare parts)

1. Spare parts list -----	6
1.1. Spare parts list - mechanical part .....	7
1.1.1. WALL PLATE SUPPORT .....	8
1.1.2. 1556613ZZ SET OF 303 STAINLESS STEEL CTM MODULE.....	9
1.1.3. 155535350 SS AIRMIX END MODULE 240 B .....	10
1.1.4. 155661450 SS AIRMIX INTERMEDIATE MODULE 240 B .....	10
1.1.5. 155535315 AIRMIX VALVE 240B .....	11
1.1.6. 1556614ZZ CTM STAINLESS STEEL 316 MODULE KIT .....	12
1.1.7. 155662050 END MODULE PH+ FOR CTM .....	13
1.1.8. 155662060 INTERMEDIATE MODULE PH FOR CTM .....	13
1.1.9. 155662020 PH PILOT VALVE -240B .....	14
1.1.10. 155661590 FILTER MF 1/2JICT-1/2JIC SCREEN N°6 .....	15
1.1.11. 155661570 LOW-PRESSURE PILOT REGULATOR ASSEMBLY 40-6B .....	16
1.1.12. 15566157X SS 303 AIRMIX PILOTED REGULATOR.....	16
1.1.13. 155661575 SS 316 AIRMIX 160B PILOTED REGULATOR .....	17
1.1.14. 155661390 2 REGULATORS MANAGEMENT PLATE .....	20
1.1.15. 155661395 ONE REGULATOR MANAGEMENT PLATE.....	21
1.1.16. 15566167X PRESSURE GAUGE 316L .....	22
1.1.17. 15566168X SET OF PRESSURE GAUGE + SENSOR 316L.....	23
1.1.18. 15566154X KIT FLOWMETER/SENSOR ATEX - CATALYST .....	24
1.1.19. 15566154X KIT FLOWMETER / OPTICAL SENSOR - CATALYST.....	25
1.1.20. 15566155X KIT FLOWMETER/SENSOR ATEX - BASE.....	26
1.1.21. 15566155X FLOWMETER / OPTICAL SENSOR SET - BASE.....	27
1.1.22. 155661190 GEARFLOWMETER 0,07cc FM1/2JICT-1/2JIC .....	28
1.1.23. 155661191 GEARFLOWMETER 0,12cc FM1/2JICT-1/2JIC .....	28
1.1.24. 155661192 GEARFLOWMETER 0,24cc FM1/2JICT-1/2JIC .....	29
1.1.25. 155661195 GEARFLOWMETER 0,24cc FM1/2JICT-1/2JIC INOX 316L .....	29
1.1.26. 15566156X MASSFLOWMETER SET - CATA.....	30
1.1.27. 15566156X MASS FLOWMETER - BASE.....	30
1.1.28. 155661193 MASSFLOWMETER RHM04 ATEX FM1/2JICT-1/2JIC.....	31
1.1.29. 155661194 MASSFLOWMETER RHM03 ATEX FM1/2JICT-1/2JIC.....	31
1.1.30. 155661567 RHE42 TRANSMITTER FOR MASSFLOWMETER .....	32
1.1.31. 15566146X 2K INJECTION BLOCK .....	32
1.1.32. 15566127C INJECTION VALVE 240B - STAINLESS STEEL 303.....	34
1.1.33. 15566123Z INSERT/SEAT HOLDER - STAINLESS STEEL 303 .....	35
1.1.34. 155661162 KIT CHECK VALVE M1/2JIC .....	36
1.1.35. 155661163 NON-RETURN VALVE ASSEMBLY - AIRCHOP .....	37
1.1.36. 155661161 Cyclomix® Evo SPRING NEEDLE SEALS / NON-RETURN VALVE ....	38
1.1.37. 155661200 ELECTRODISTRIBUTEUR STANDARD 3/2 VANNE D'INJECTION ....	39
1.1.38. 155661205 ATEX INJECTION VALVE DISTRIBUTOR - 3/2 .....	39
1.1.39. 155661260 INJECTION VALVE CYCLOMIX® EVO 240B PTFE/PEEK 316L.....	40
1.1.40. 155661215 INSERT / SEAT DOOR - INOX 316L .....	41
1.1.41. 155680086 AIR NO-RETURN VALVE D6 (SPARE PART).....	41
1.1.42. 155680085 AIR NO-RETURN VALVE D4.....	42
1.1.43. .... MIXER ASSEMBLY	42
1.1.44. .... 155661280 SET 2 GUNS MANAGEMENT BLOCK WITHOUT FLUSH	43
1.1.45. 155661290 SET 2 GUNS MANAGEMENT BLOCK WITH FLUSH.....	44
1.1.46. 155661295 2 GUNS MANAGEMENT BLOCK WITH FLUSH.....	45



1.1.47. INLET / OUTLET FITTINGS .....	45
1.1.48. 155661380 SPRAYING AIR MANAGEMENT BOX FOR GUN.....	46
1.1.49. FLUID PANEL FRAME SUPPORT .....	48
1.1.50. 155661872 CONTROL PANEL FRAME SUPPORT.....	49
1.2. SPARE PARTS - ELECTRICAL .....	50
1.2.1. MAIN CONTROL PANEL .....	50
1.2.1.1. 155661824 SET SCREEN + CCB BOARD FOR CYCLOMIX® EVO MAIN CONTROL PANEL	51
1.2.1.2. 155661808 BLOCK 8 SOLENOID VALVES WITH T FITTING	52
1.2.1.3. 155661816 DIGITAL FLOWSWITCH D8	52
1.2.1.4. FIBER OPTIC OPTION	53
1.2.1.5. ELECTRICAL CABLES	53
1.2.1.6. COMMUNICATION BOARDS	54
1.2.2. 155661880 REMOTE CONTROL PANEL	54
1.2.2. 155661880 REMOTE CONTROL PANEL .....	54
1.2.3. ....EVOPLUS - ADDITIONAL BOX	55
2. History of revision indexes-----	56

## 1. Spare parts list

Spare parts are classified into 2 distinct categories:

- **1st emergency parts:**

1st emergency parts are strategic elements which are not necessarily consumables, but which, in the event of failure, prevent the machine from operating.

Depending on the commitment of the paint line and the production rates required, 1st emergency parts are not necessarily held in the customer's stock.

If the production flow can be interrupted, storage is not necessary.

On the other hand, if a stoppage is out of the question, 1st emergency parts will be kept in stock.

- **Wear parts:**

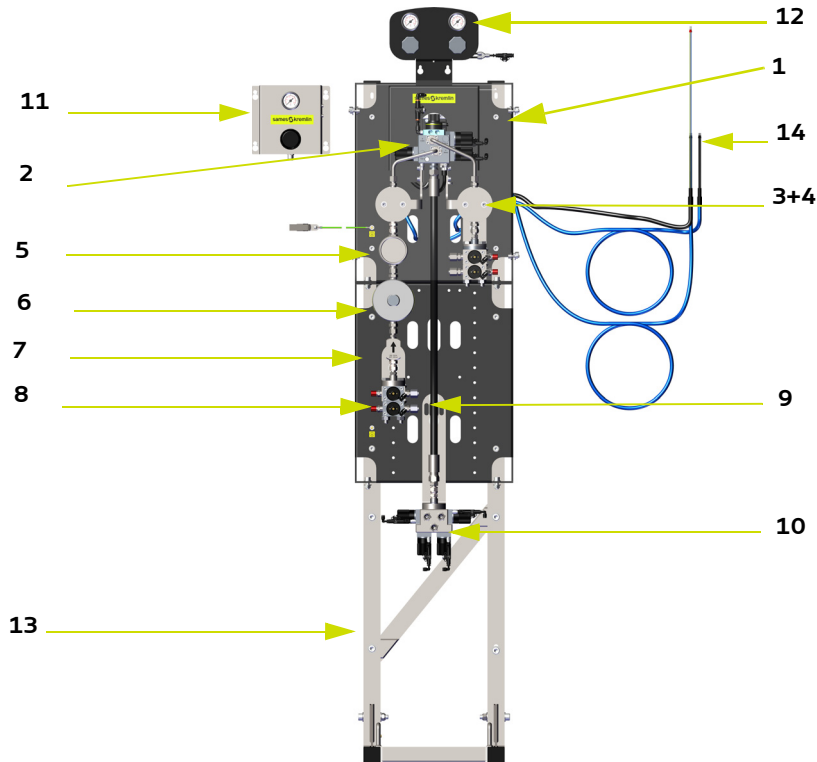
Wear parts are consumables such as O-rings, which undergo regular degradation over time, during normal plant operation. They should therefore be replaced at a defined frequency, adapted to the plant's operating time.

Wear parts should therefore be kept in the customer's stock.



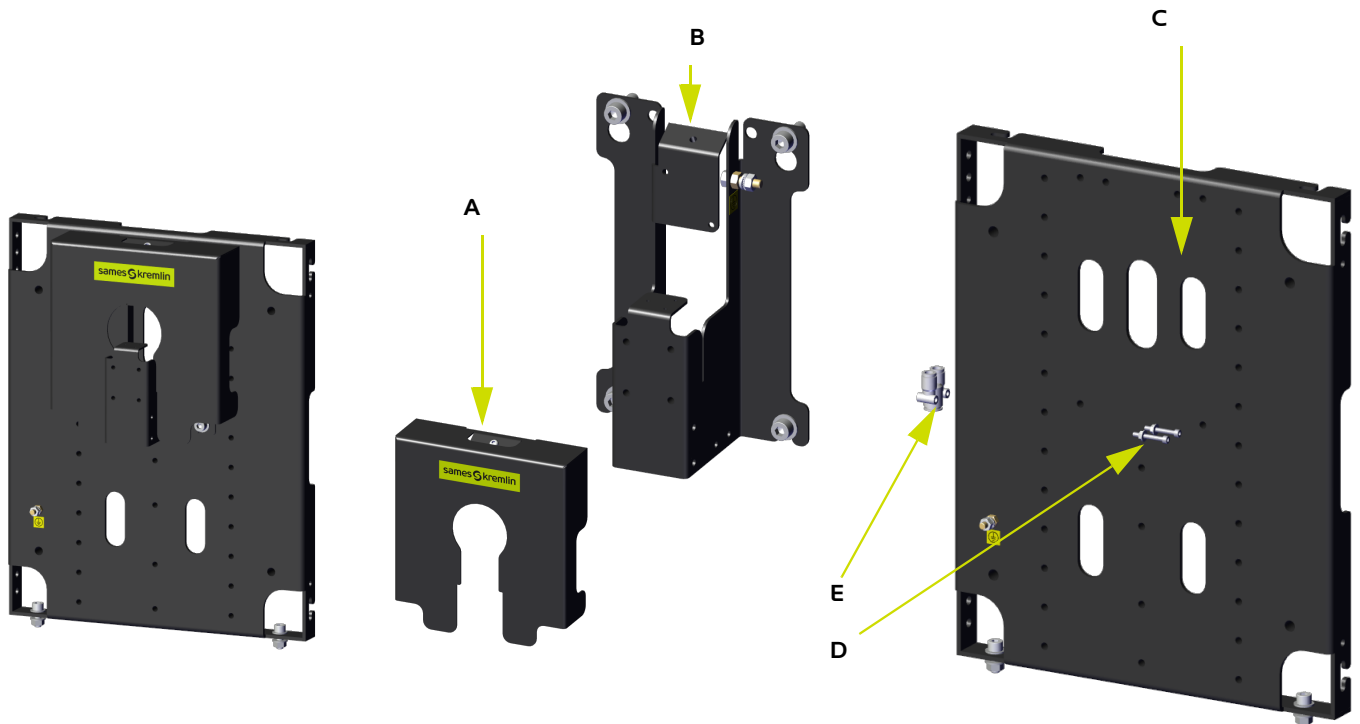
**To ensure optimum assembly, spare parts should be stored at a temperature close to their operating temperature. If this is not the case, sufficient waiting time must be allowed before installation, so that all components are assembled at the same temperature.**

1.1. Spare parts list – mechanical part



No.	Description	Qty
-	Spare parts - mechanical section	-
1	1 Support plate and solenoid valve assembly	1
2	2K and 3K injection block	1
3+4	Flowmeters assembly	1
5	Manometers and pressure sensor assembly	1
6	Regulator assembly	1
7	T-filter assembly	1
8	Color changer kit	1
10	2-gun control	1
11	Spray air regulation module	1
12	Regulator control kit	1
13	Frame and cowling	1
14	Cable assembly for KEM sensor + connector - 5m length	1

1.1.1. WALL PLATE SUPPORT



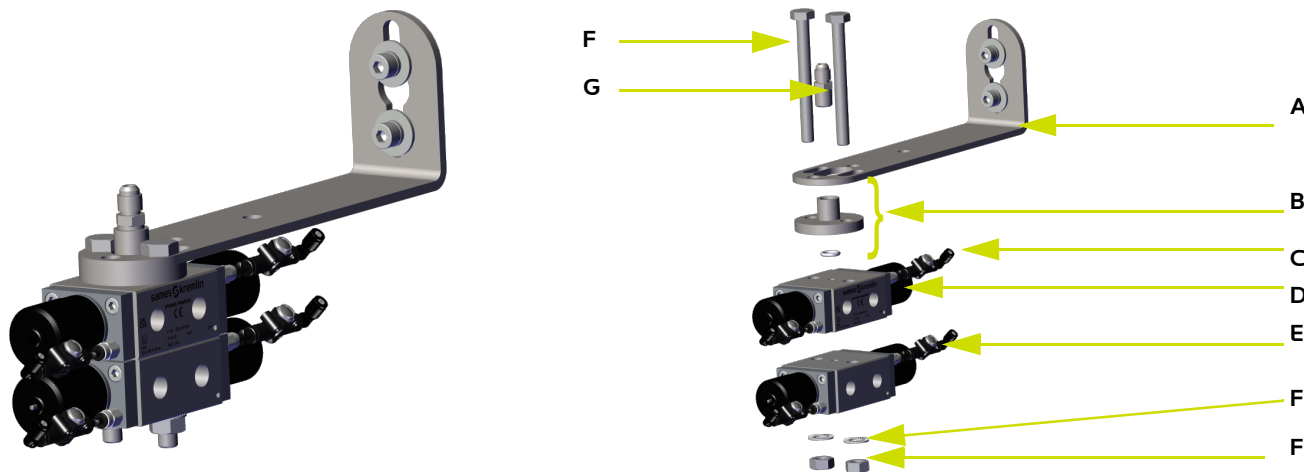
Item	Part number	Description	Qty	Sales unit	Spare parts level (*)
-	-	WALL PLATE SUPPORT	-	-	-
A	155661696	MIXING PLATE COVER	1	1	-
B	155661697	INJECTION BLOCK SUPPORT PANEL + HARDWARE	1	1	-
C	155661695	WALL PLATE + HARDWARE	1	1	-
D	88116	FLANGE ASSEMBLY MATERIAL OUTLET	2	1	-
-	963040012	WASHER MU4	2	1	-
-	953010012	NUT HU4	2	1	-
E	130001790	Y UNION 10-08-08	1	1	-

(\*)  
 Level 1: 1<sup>st</sup> emergency parts  
 Level 2: Wear parts

1.1.2. 1556613ZZ SET OF 303 STAINLESS STEEL CTM MODULE

The last 2 digits correspond to the number of 2-channel modules.

For example: 155661301: 1 2-way CTM module / 155661309: 9 2-way CTM modules



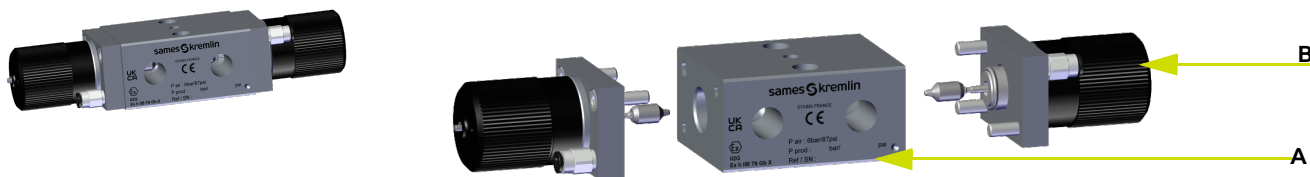
Item	Part number	Description	Qty	Sales unit	Spare parts level (*)
-	<b>1556613ZZ</b>	SET OF CTM MODULE STAINLESS STEEL 303	1	1	-
<b>A</b>	<b>Not sold separately</b>	BRACKET CTM SET	1	-	-
-	<b>155661101</b>	CTM SUPPORT BRACKET	1	1	-
-	<b>88152</b>	STEEL SCREW CHC M 8X25	2	1	-
<b>B</b>	<b>155535500</b>	FLANGE ASSEMBLY MATERIAL OUTLET	1	1	-
-	<b>Not sold separately</b>	OUTLET FLANGE	1	-	-
-	<b>155535710</b>	PACKAGE DF 10 SEALS O-RING PTFE	1	10	2
<b>C</b>	<b>155680085</b>	AIR NO-RETURN VALVE D4	X	1	2
<b>D</b>	<b>155535450</b>	SS AIRMIX INTERMEDIATE MODULE 240 B	X	1	-
<b>E</b>	<b>155535350</b>	SS AIRMIX END MODULE 240 B	1	1	-
<b>F</b>		SET OF TIE-RODS	1	1	-
-	<b>155535610</b>	SET OF 2 TIE RODS FOR 1 MODULE + FLANGE	1	1	-
-	<b>155535620</b>	SET OF 2 TIE RODS FOR 2 MODULES + FLANGE	1	1	-
-	<b>155535630</b>	SET OF 2 TIE RODS FOR 3 MODULES + FLANGE	1	1	-
-	<b>155535640</b>	SET OF 2 TIE RODS FOR 4 MODULES+ FLANGE	1	1	-
-	<b>155535650</b>	SET OF 2 TIE RODS FOR 5 MODULES + FLANGE	1	1	-
<b>F</b>	<b>000972025</b>	CONNECTOR M 1/2 JIC M 1/4 NPT	1	1	-

(\*) Level 1: 1<sup>st</sup> emergency parts / Level 2: Wear parts



The number of 155535450 modules and the tie-rod part number vary according to the number of channels in the module.

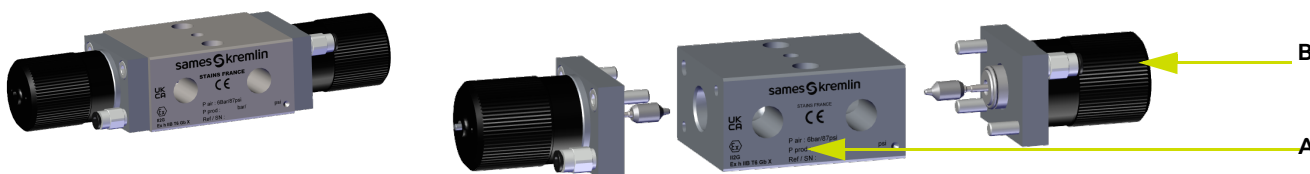
1.1.3. 155535350 SS AIRMIX END MODULE 240 B



Item	Part number	Description	Qty	Sales unit	Spare parts level (*)
-	155535350	SS AIRMIX END MODULE 240 B	1	1	-
A	Not sold separately	AIRMIX EXTREM MODULE BODY. AX	1	-	-
B	155535315	AIRMIX VALVE 240B	2	1	-

(\*)  
 Level 1: 1<sup>st</sup> emergency parts  
 Level 2: Wear parts

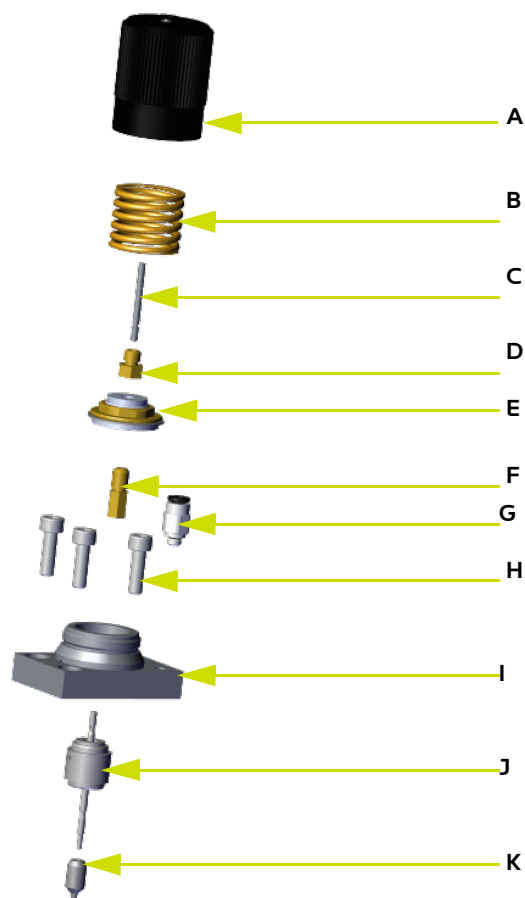
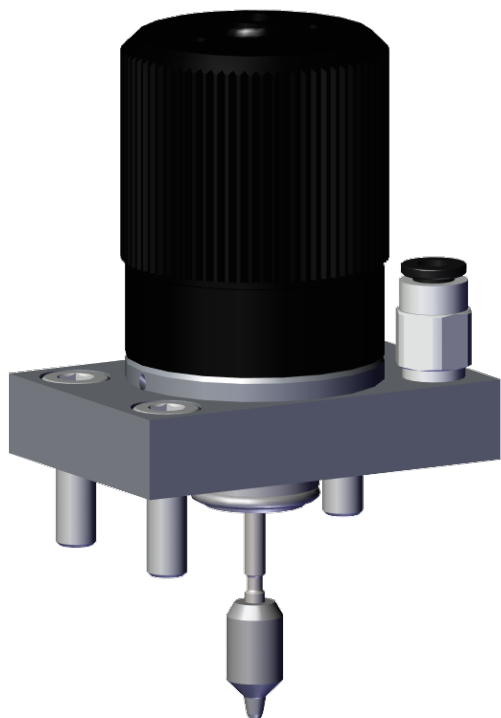
1.1.4. 155661450 SS AIRMIX INTERMEDIATE MODULE 240 B



Item	Part number	Description	Qty	Sales unit	Spare parts level (*)
-	155535450	SS AIRMIX INTERMEDIATE MODULE 240 B	1	1	-
A	Not sold separately	AIRMIX INTERMEDIATE MODULE BODY	1	-	-
B	155535315	AIRMIX VALVE 240B	2	1	-

(\*)  
 Level 1: 1<sup>st</sup> emergency parts  
 Level 2: Wear parts

1.1.5. 155535315 AIRMIX VALVE 240B



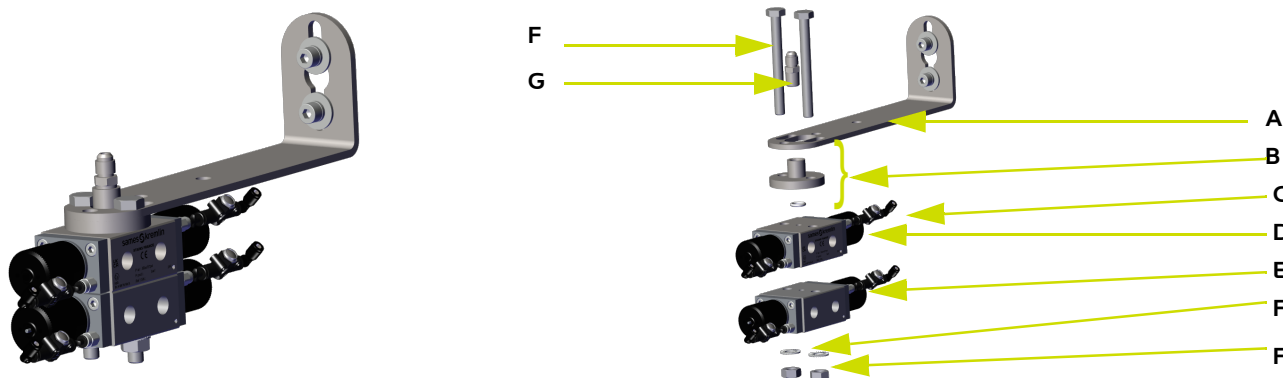
Item	Part number	Description	Qty	Sales unit	Spare parts level (*)
-	155535315	AIRMIX VALVE 240B	1	1	-
A	055535316	CYLINDER FOR AIRMIX VALVE 200B	1	1	-
B	050316501	SPRING FOR AIMIX VALVE 200B	1	1	-
C	055501010	ROD FOR AIRMIX VALVE 200B	1	1	2
D	055501009	GUIDE OPENING WARNING	1	1	2
E	Not sold separately	ASSEMBLED PISTON	1	-	-
F	055501003	ROD DRIVER	1	1	-
G	905120944	AUTOMATIC FITTING FOR M5 2,7X4 TUBE	1	1	-
H	933151221	SCREW CHC M5X16	3	1	-
I	055535121	FLANGE SUPPORT OF AIR CYLINDER	1	1	-
J	155528012	GT CARTRIDGE FOR 200B AIRMIX VALVE	1	1	1-2
K	155507013	GT CARTRIDGE FOR 200B AIRMIX VALVE AIRMIX GATE NEEDLE	1	1	1-2

(\*) Level 1: 1<sup>st</sup> emergency parts  
Level 2: Wear parts

1.1.6. 1556614ZZ CTM STAINLESS STEEL 316 MODULE KIT

The last 2 digits correspond to the number of 2-channel modules.

For example: 1556614**01**: 1 2-way CTM module / 1556614**09**: 9 2-way CTM modules.



Item	Part number	Description	Qty	Sales unit	Spare parts level (*)
-	<b>1556614ZZ</b>	CTM STAINLESS STEEL 316 MODULE KIT	1	1	-
<b>A</b>	<b>Not sold separately</b>	BRACKET CTM SET	1	-	-
-	<b>155661101</b>	CTM SUPPORT BRACKET	1	1	-
-	<b>88152</b>	STEEL SCREW CHC M 8X25	2	1	-
<b>B</b>	<b>155536410</b>	FLANGE ASSY.MATERIAL OUTLET FOR COLOR CHANGER 316L	1	1	-
-	<b>Not sold separately</b>	316L STAINLESS STEEL OUTLET FLANGE	1	-	-
-	<b>155535710</b>	PACKAGE DF 10 SEALS O-RING PTFE	1	10	2
<b>C</b>	<b>155680085</b>	AIR NO-RETURN VALVE D4	X	1	2
<b>D</b>	<b>155662060</b>	INTERMEDIATE MODULE PH FOR CTM	X	1	-
<b>E</b>	<b>155662050</b>	END MODULE PH+ FOR CTM	1	1	-
<b>F</b>		SET OF TIE-RODS	1	1	-
-	<b>155535610</b>	SET OF 2 TIE RODS FOR 1 MODULE + FLANGE	1	1	-
-	<b>155535620</b>	SET OF 2 TIE RODS FOR 2 MODULES + FLANGE	1	1	-
-	<b>155535630</b>	SET OF 2 TIE RODS FOR 3 MODULES + FLANGE	1	1	-
-	<b>155535640</b>	SET OF 2 TIE RODS FOR 4 MODULES+ FLANGE	1	1	-
-	<b>155535650</b>	SET OF 2 TIE RODS FOR 5 MODULES + FLANGE	1	1	-
-	<b>155661365</b>	SET OF 2 TIE RODS FOR 6 MODULES	1	1	-
-	<b>155661366</b>	SET OF 2 TIE RODS FOR 7 MODULES	1	1	-
-	<b>155661367</b>	SET OF 2 TIE RODS FOR 8 MODULES	1	1	-
-	<b>155661368</b>	SET OF 2 TIE RODS FOR 9 MODULES	1	1	-
-	<b>155661369</b>	SET OF 2 TIE RODS FOR 10 MODULES	1	1	-
<b>G</b>	<b>905210502</b>	SS CONNECTOR M1/4 NPT M1/2 JIC	1	1	-

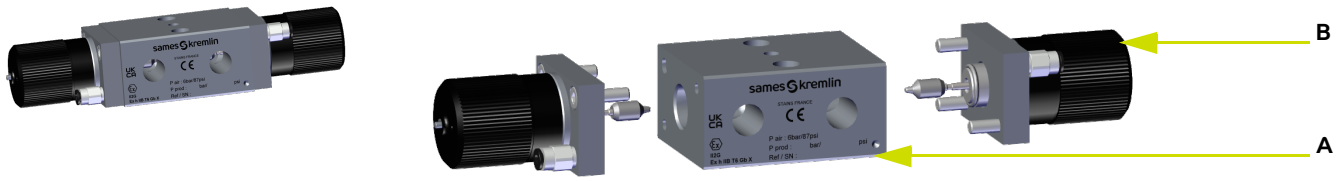
(\*) Level 1: 1<sup>st</sup> emergency parts: / Level 2: Wear parts



The number of 155535450 modules and the tie-rod part number vary according to the number of channels in the module.



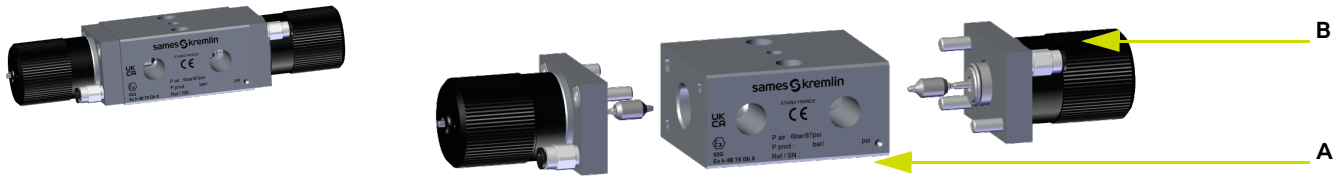
1.1.7. 155662050 END MODULE PH+ FOR CTM



Item	Part number	Description	Qty	Sales unit	Spare parts level (*)
-	155662050	END MODULE PH+ FOR CTM	1	1	-
A	Not sold separately	STAINLESS STEEL 316L END BODY	1	-	-
B	155662020	GATE NEEDLE PH VERSION FOR CTM	2	1	-

(\*)  
 Level 1: 1<sup>st</sup> emergency parts  
 Level 2: Wear parts

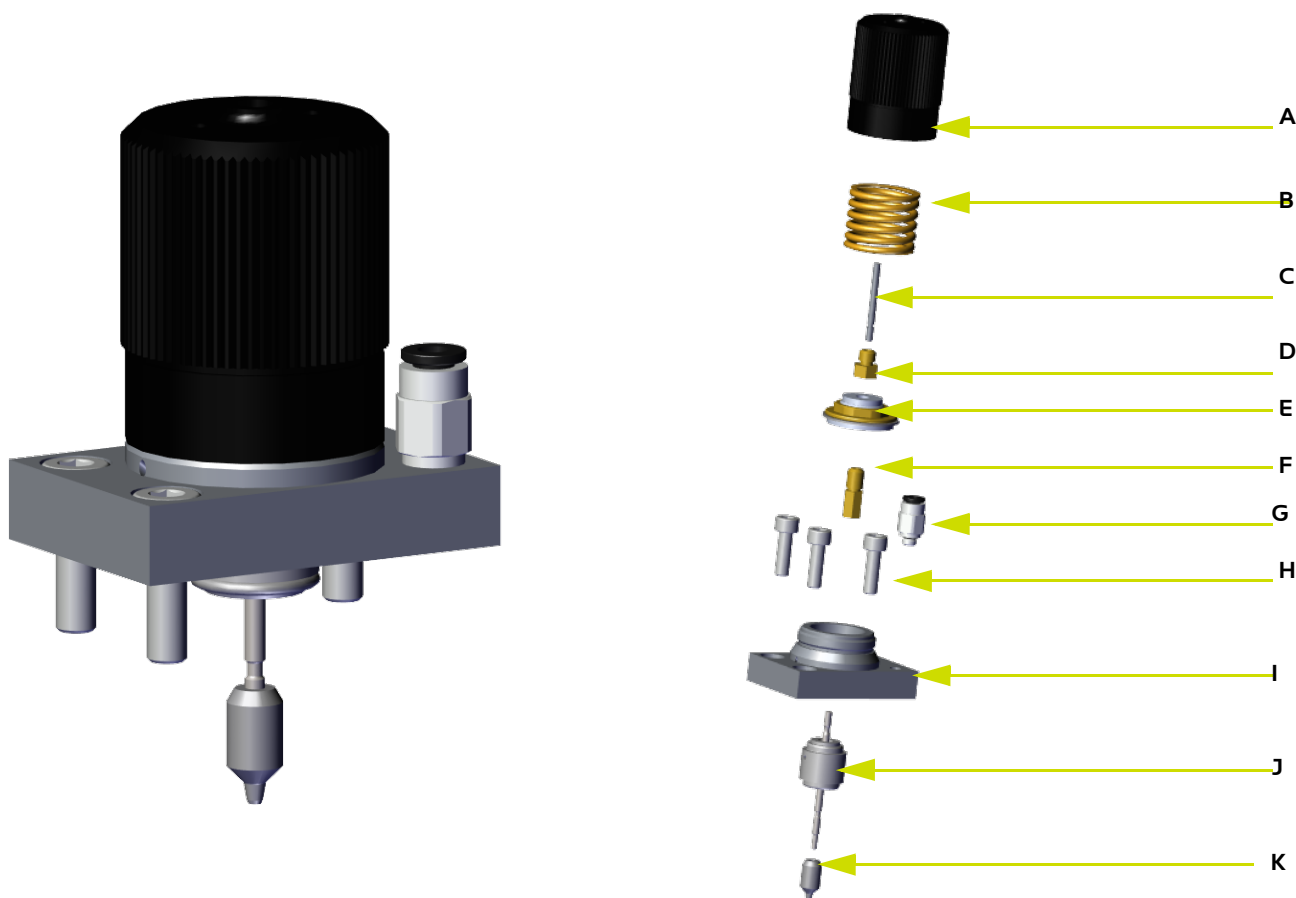
1.1.8. 155662060 INTERMEDIATE MODULE PH FOR CTM



Item	Part number	Description	Qty	Sales unit	Spare parts level (*)
-	155662060	INTERMEDIATE MODULE PH FOR CTM	1	1	1-2
A	Not sold separately	STAINLESS STEEL 316L END BODY	1	1	1-2
B	155662020	GATE NEEDLE PH VERSION FOR CTM	1	1	1-2

(\*)  
 Level 1: 1<sup>st</sup> emergency parts  
 Level 2: Wear

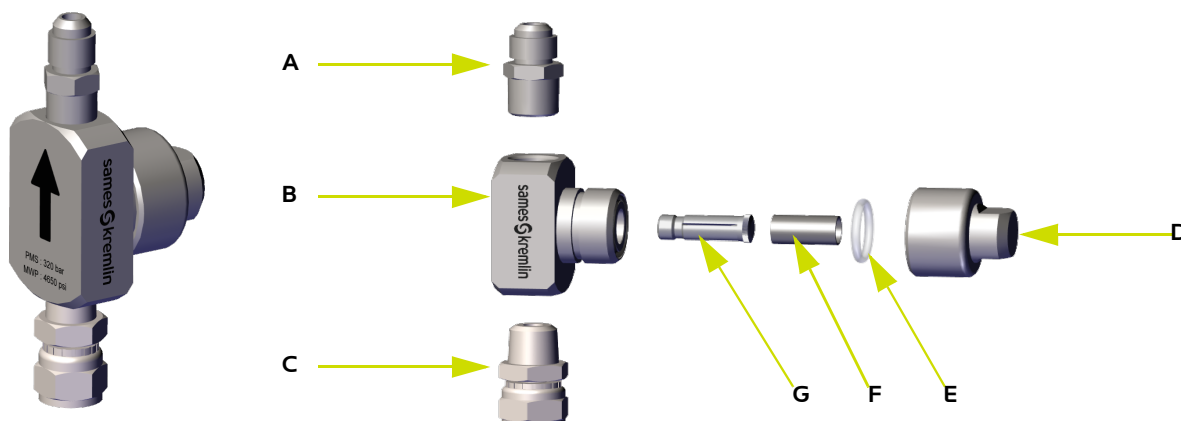
1.1.9. 155662020 PH PILOT VALVE -240B



Item	Part number	Description	Qty	Sales unit	Spare parts level (*)
-	155535315	AIRMIX VALVE 240B	1	1	-
A	055535316	CYLINDER FOR AIRMIX VALVE 200B	1	1	-
B	050316501	SPRING FOR AIMIX VALVE 200B	1	1	-
C	055501010	ROD FOR AIRMIX VALVE 200B	1	1	2
D	055501009	GUIDE OPENING WARNING	1	1	2
E	Not sold separately	ASSEMBLED PISTON	1	-	-
F	055501003	ROD DRIVER	1	1	-
G	905120944	AUTOMATIC FITTING FOR M5 2,7X4 TUBE	1	1	-
H	933151221	SCREW CHC M5X16	3	1	-
I	055535121	FLANGE SUPPORT OF AIR CYLINDER	1	1	-
J	155528012	GT CARTRIDGE FOR 200B AIRMIX VALVE	1	1	1-2
K	155507013	AIRMIX GATE NEEDLE	1	1	1-2

(\*)  
 Level 1: 1<sup>st</sup> emergency parts  
 Level 2: Wear parts

1.1.10. 155661590 FILTER MF 1/2JICT-1/2JIC SCREEN N°6



Item	Part number	Description	Qty	Sales unit	Spare parts level (*)
-	<b>155661590</b>	FILTER MF 1/2JICT-1/2JIC SCREEN N°6	1	1	-
<b>A</b>	<b>000972025</b>	CONNECTOR M 1/2 JIC M 1/4 NPT	1	1	-
<b>B</b>	<b>Not sold separately</b>	FILTER EMBASE	1	1	-
<b>C</b>	<b>905160218</b>	SWIVEL SST 316L FLUID FITTING M1/2 JIC M1/4 G 250B (FREE NUT)	1	1	-
<b>D</b>	<b>Not sold separately</b>	FILTER NUT	1	-	-
<b>E</b>	<b>909420502</b>	SEAL FEP/FMP	1	1	1-2
<b>F</b>	<b>129609908</b>	PACK OF 5 S/STEEL SCREEN NO 6	1	5	2
<b>G</b>	<b>029520310</b>	SCREEN SUPPORT - AIRMIX FILTERS	1	1	1-2

(\*)

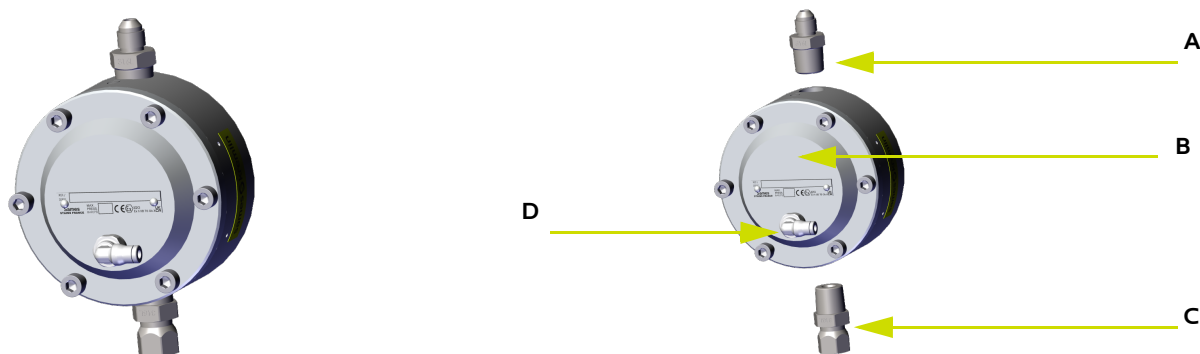
**Level 1: 1<sup>st</sup> emergency parts**

**Level 2: Wear parts**

As a spare part, filter screen 129609908 can be replaced with the following screens:

Part number	Stainless steel filter screen (without support)	Description	Size (µ)
<b>129609907</b>	N°4	100	5
<b>129609909</b>	N°12	280	5

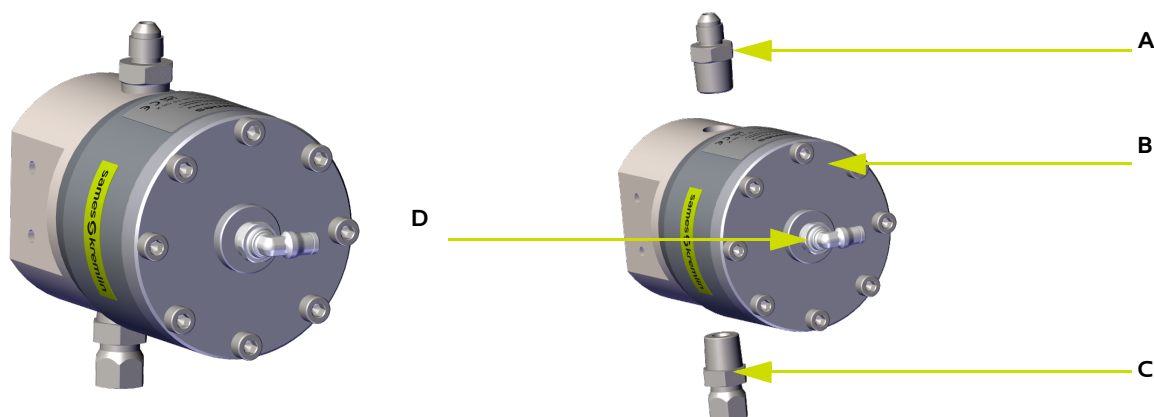
1.1.11. 155661570 LOW-PRESSURE PILOT REGULATOR ASSEMBLY 40-6B



Item	Part number	Description	Qty	Sales unit	Spare parts level (*)
-	<b>155661570</b>	LOW-PRESSURE PILOT REGULATOR ASSEMBLY 40-6B	1	1	-
<b>A</b>	<b>905210503</b>	FITTING 316L M3/8NPTx M1/2JIC	1	1	-
<b>B</b>	<b>155610520</b>	LP REGULATOR DRIVEN 40/6B	1	1	1
<b>C</b>	<b>155661152</b>	FITTING M3/8 NPT - F1/2 JICT 250Bar - 316L	1	1	-
<b>D</b>	<b>Not sold separately</b>	ELBOW G1/4 x D4	1	-	-

(\*)  
**Level 1: 1<sup>st</sup> emergency parts**  
**Level 2: Wear par**  
 Refer to individual controller manuals for more information. (See Technical reference number:582106110).

1.1.12. 15566157X SS 303 AIRMIX PILOTED REGULATOR



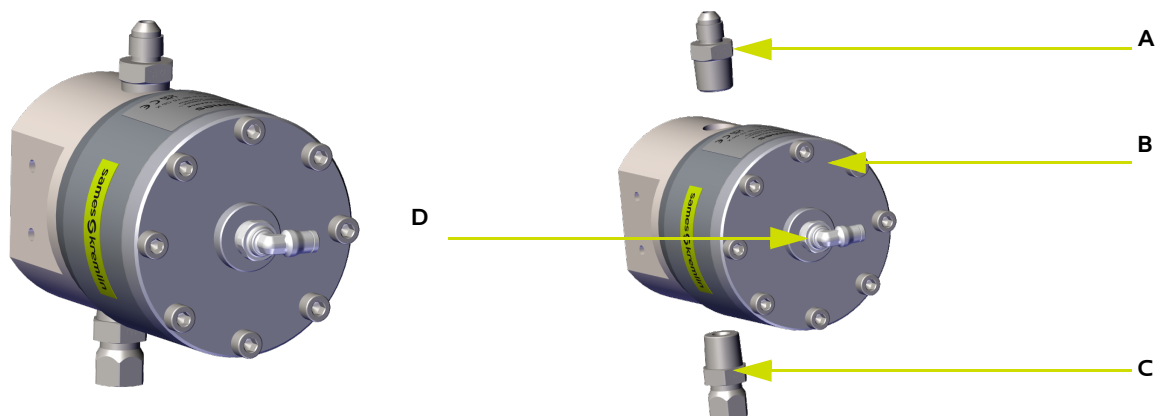
Part number	Pressures (in/out)	Description
<b>155661571</b>	120B / 40B	KIT PRESSURE GAUGE SS316 - 120B
<b>155661572</b>	250B / 70B	KIT PRESSURE GAUGE SS316 - 250B
<b>155661573</b>	250B / 160B	KIT PRESSURE GAUGE SS316 - 250B
<b>155661574</b>	250B / 200B	KIT PRESSURE GAUGE SS316 - 250B

Item	Part number	Description	Qty	Sales unit	Spare parts level (*)
-	-	SS 303 AIRMIX PILOTED REGULATOR	1	1	-
A	905210503	FITTING 316L M3/8NPTx M1/2JIC	1	1	-
B	155271719	AIRMIX REGULATOR CARTRIDGE 120/40 BARS 1 PLATE	1	1	1
-	155271715	REGULATOR CARTRIDGE 240/70 BAR 2 PLATES	1	1	1
-	155271716	REGULATOR CARTRIDGE 240/160 BAR 4 PLATES	1	1	1
-	155271728	REGULATOR WO PILOT 40-200 BAR	1	1	1
C	155661152	FITTING M3/8 NPT - F1/2 JICT 250Bar - 316L	1	1	-
D	Not sold separately	ELBOW G1/4 x D4	1	-	-

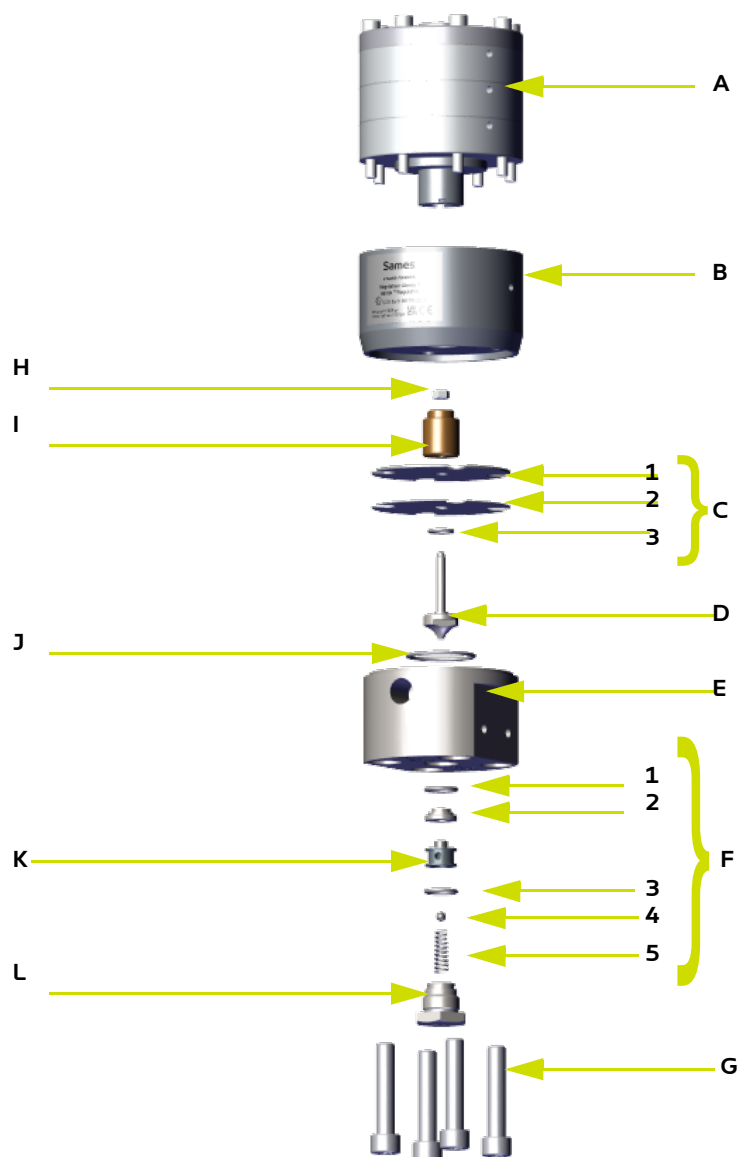
(\*) Level 1: 1<sup>st</sup> emergency parts

Level 2: Wear par

1.1.13. 155661575 SS 316 AIRMIX 160B PILOTED REGULATOR



Item	Part number	Description	Qty	Sales unit	Spare parts level (*)
-	-	SS 303 AIRMIX PILOTED REGULATOR	1	1	-
A	905210503	FITTING 316L M3/8NPTx M1/2JIC	1	1	-
B	155271160	PILOTED PH AIRMIX ® REGULATOR 160B	1	1	1
C	155661152	FITTING M3/8 NPT - F1/2 JICT 250Bar - 316L	1	1	-
D	Not sold separately	ELBOW G1/4 x D4	1	-	-

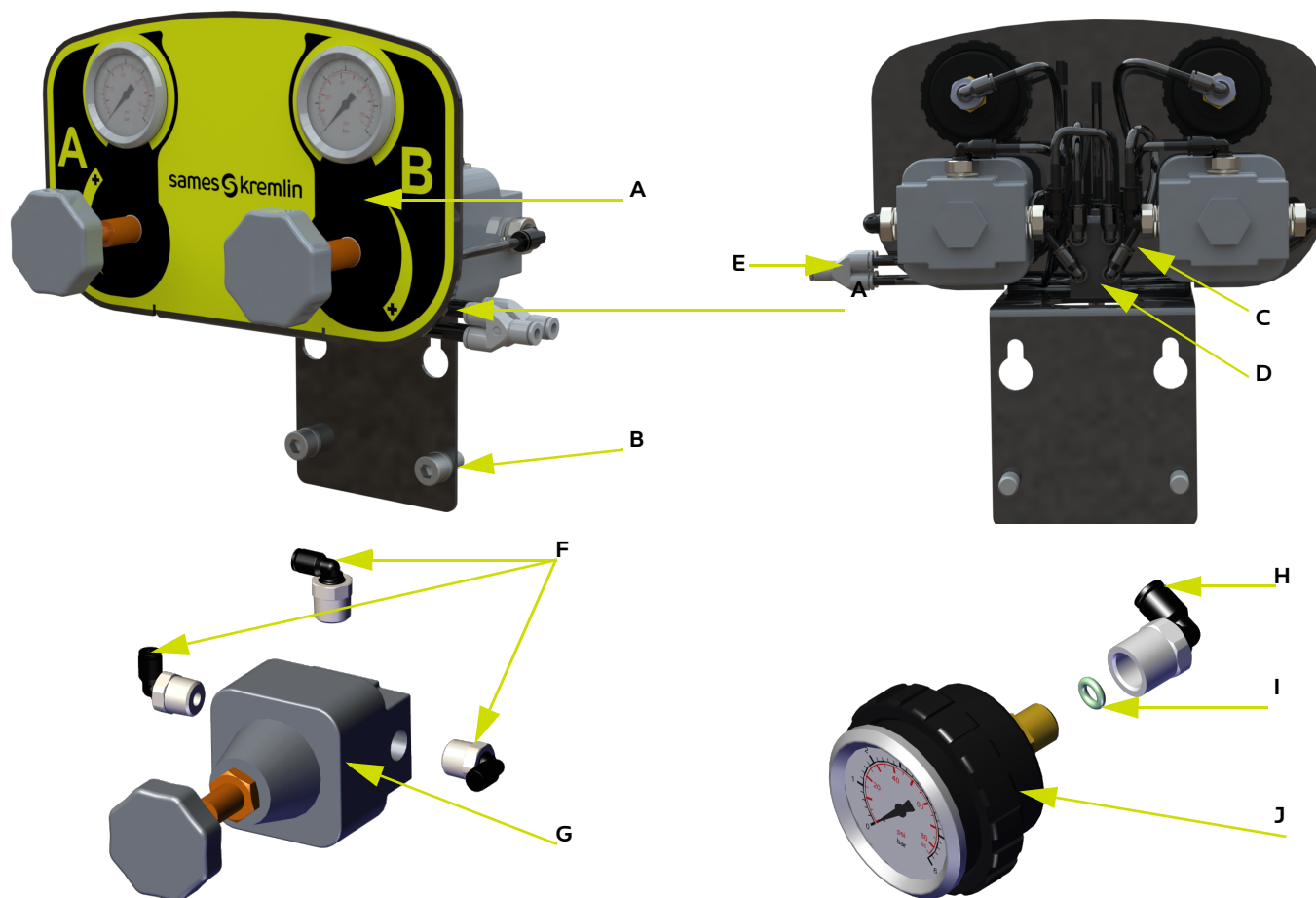


Item	Part number	Description	Qty	Sales unit	Spare parts level (*)
-	155271160	PILOTED PH AIRMIX <sup>®</sup> REGULATOR 160B	1	1	-
A	Not sold separately	PILOT STAGE ASSEMBLY	1	-	-
B	055271710	UPPER BODY FOR AIRMIX REGULATOR	1	1	1
C	155271902	DIAPHRAGM ASSEMBLY FOR AIRMIX REGULATOR	1	1	1-2
1	Not sold separately	HYTREL POLYESTER MEMBRANE	1	1	-
2	Not sold separately	PFA MEMBRANE	1	1	-
3	150040332	PACK OF 10 PTFE O'RING SEALS	1	1	1-2
D	155271772	NEEDLE ASSEMBLY	1	1	1-2
E	055271777	LOWER BODY	1	1	1
F	155271155	MAINTENANCE KIT FOR PILOTED PH REGULATOR	1	1	1-2
1	150040314	PACK OF 10 PTFE SEALS FOR SS FLUID REGULATOR	1	1	1-2
2	055271776	SEAT FOR PH REGULATOR	1	1	1-2
3	150040314	PACK OF 10 PTFE SEALS FOR SS FLUID REGULATOR	1	10	1-2
4	907414308	BALL DIAMETER 5 CARBIDE	1	1	1-2
5	Not sold separately	SPRING	1	1	-
G	88173	CHC SCREW STEEL M10x50	4	1	-
H	953010014	NUT HU5	1	1	-
I	055271709	PISTON FOR AIRMIX REGULATOR	1	1	-
J	050040309	SEALS TOR PTFE D33.9	1	1	1-2
K	055271778	GUIDE BUSH AIRMIX REGULATOR	1	1	-
L	055271779	PLUG FOR AIRMIX REGULATOR 250-10/120	1	1	-

(\*) Level 1: 1<sup>st</sup> emergency parts

Level 2: Wear par

## 1.1.14. 155661390 2 REGULATORS MANAGEMENT PLATE

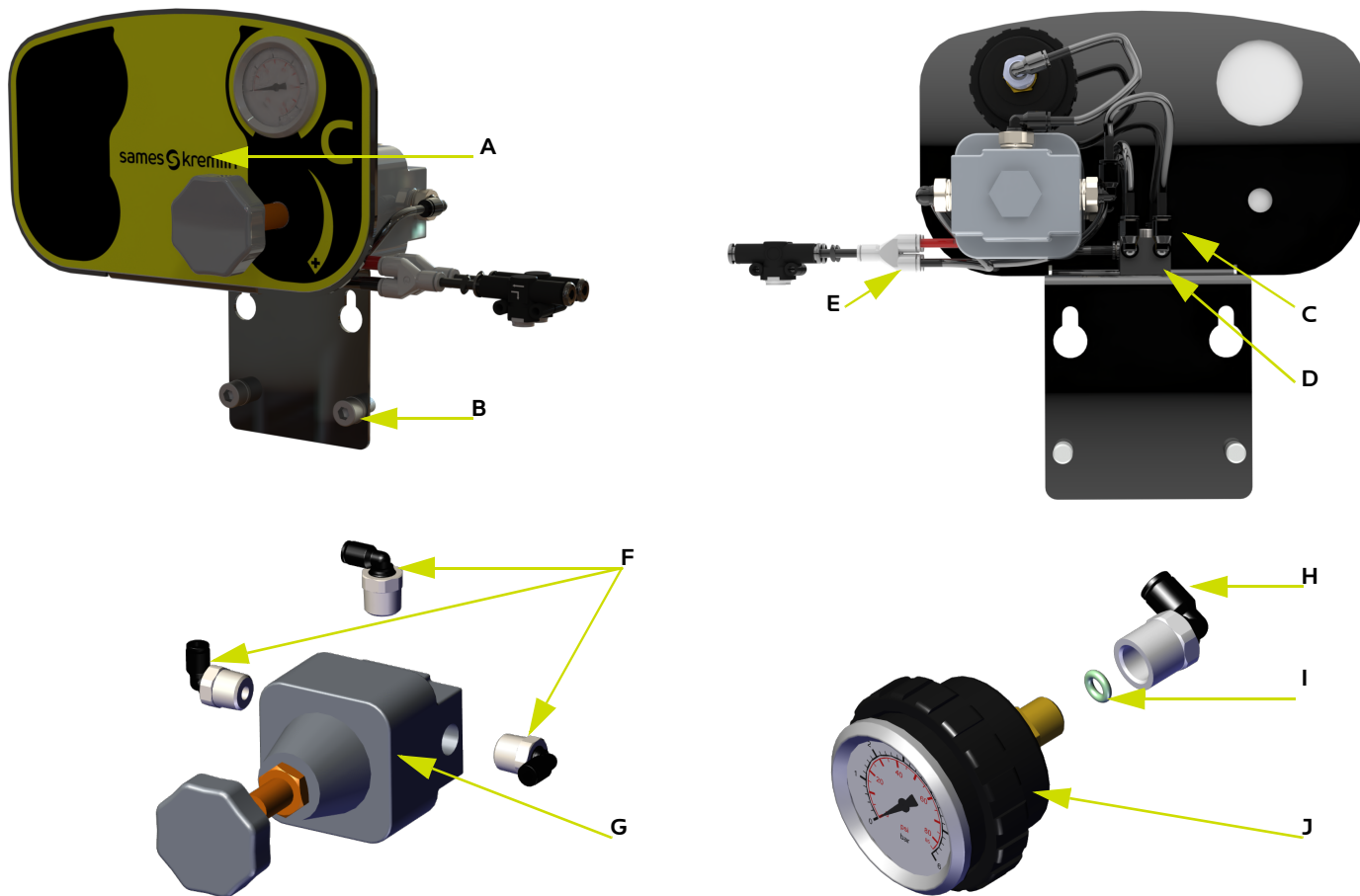


Item	Part number	Description	Qty	Sales unit	Spare parts level (*)
-	<b>155661390</b>	2 REGULATORS MANAGEMENT PLATE	1	1	-
A	<b>Not sold separately</b>	METAL PLATE SUPPORT	1	-	-
B	<b>88150</b>	CHC SCREW STEEL M8x16	2	1	1
-	<b>88664</b>	WASHER M8	2	1	-
C	<b>905120983</b>	ELBOW FAST FITTING MF 2.7X4	6	1	-
D	<b>903050415</b>	PNEUMATIC CELL OR	2	1	-
E	<b>552229</b>	AIR COUPLING EGAL Y D4	2	1	-
F	<b>905120927</b>	ELBOW M 1/4 FOR 2X4 TUBE	6	1	1
G	<b>903130504</b>	REGULATOR	2	1	1-2
H	<b>905121031</b>	ELBOW F G1/8 T 2.7X4	2	1	-
G	<b>909130803</b>	RN3 RING VITON 4,2X1,9	2	1	-
I	<b>910011205</b>	FRONT GAUGE D.40 0-6B CONNECTION G1/8	2	1	-

(\*) Level 1: 1<sup>st</sup> emergency parts  
 Level 2: Wear parts



1.1.15. 155661395 ONE REGULATOR MANAGEMENT PLATE

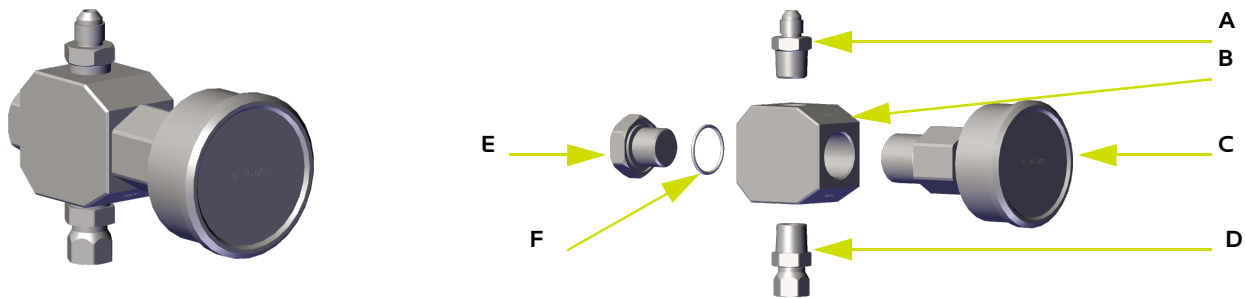


Item	Part number	Description	Qty	Sales unit	Spare parts level (*)
-	<b>155661395</b>	ONE REGULATORS MANAGEMENT PLATE	1	1	-
<b>A</b>	<b>Not sold separately</b>	METAL PLATE SUPPORT	1	-	-
<b>B</b>	<b>88150</b>	CHC SCREW STEEL M8x16	2	1	1
-	<b>88664</b>	WASHER M8	2	1	-
<b>C</b>	<b>905120983</b>	ELBOW FAST FITTING MF 2.7X4	3	1	-
<b>D</b>	<b>903050415</b>	PNEUMATIC CELL OR	1	1	-
<b>E</b>	<b>552229</b>	AIR COUPLING EGAL Y D4	1	1	-
<b>F</b>	<b>905120927</b>	ELBOW M 1/4 FOR 2X4 TUBE	3	1	1
<b>G</b>	<b>903130504</b>	REGULATOR	1	1	1-2
<b>H</b>	<b>905121031</b>	ELBOW F G1/8 T 2.7X4	1	1	-
<b>G</b>	<b>909130803</b>	RN3 RING VITON 4,2X1,9	1	1	-
<b>I</b>	<b>910011205</b>	FRONT GAUGE D.40 0-6B CONNECTION G1/8	1	1	-

(\*) Level 1: 1<sup>st</sup> emergency parts

Level 2: Wear parts

1.1.16. 15566167X PRESSURE GAUGE 316L

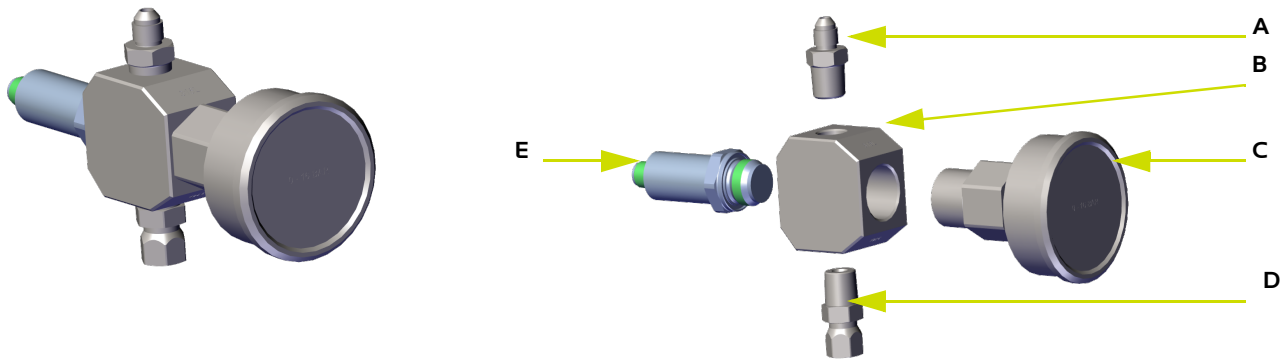


Reference	Pressures (in/out)	Description
155661670	16B	KIT PRESSURE GAUGE SS316 - 16B
155661671	160B	KIT PRESSURE GAUGE SS316 - 160B
155661672	250B	KIT PRESSURE GAUGE SS316 - 250B

Item	Part number	Description	Qty	Sales unit	Spare parts level (*)
-	-	PRESSURE GAUGE 316L	1	1	-
A	905210503	FITTING 316L M3/8NPTx M1/2JIC	1	1	-
B	Not sold separately	PRESSURE GAUGE CONNECTION FF3/8 316	1	-	-
C	924010101	PRESSURE GAUGE WITH MEMBRANE DIAPHRAGM G1/2 16B	1	1	1
-	924010102	PRESSURE GAUGE WITH MEMBRANE DIAPHRAGM G1/2 160B	1	1	1
-	924010103	PRESSURE GAUGE WITH MEMBRANE DIAPHRAGM G1/2 250B	1	1	1
D	155661152	FITTING M3/8 NPT - F1/2 JICT 250Bar -316L	1	1	-
E	155661159	PLUG G1/2 + SEAL	1	1	-
F	129398907	2 SEALS REPAIR KIT FOR KAB	1	1	-

(\*) Level 1: 1<sup>st</sup> emergency parts  
 Level 2: Wear parts

1.1.17. 15566168X SET OF PRESSURE GAUGE + SENSOR 316L

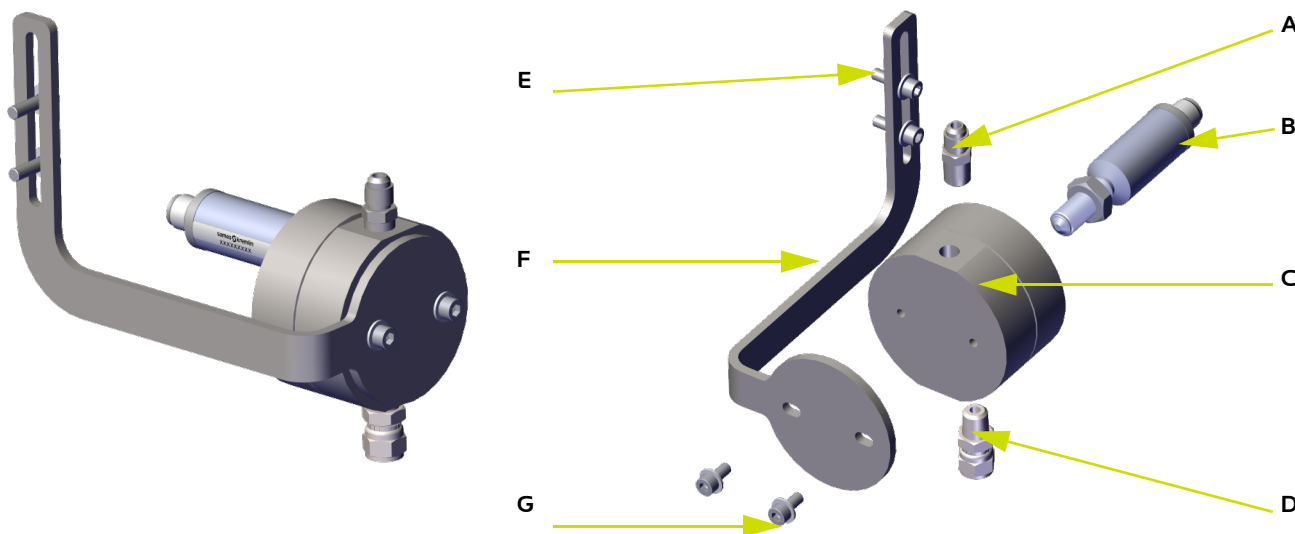


Part number	Pressures (in/out)	Description
155661680	16B	KIT PRESSURE GAUGE + PRESSURE SENSOR INOX 316 16B - 16B
155661681	160B	KIT PRESSURE GAUGE + PRESSURE SENSOR INOX 316 160B - 400B
155661682	250B	KIT PRESSURE GAUGE + PRESSURE SENSOR INOX 316 250B - 400B

Item	Part number	Description	Qty	Sales unit	Spare parts level (*)
-	-	SET OF PRESSURE GAUGE + SENSOR 316L	1	1	-
A	905210503	FITTING 316L M3/8NPTx M1/2JIC	1	1	-
B	Not sold separately	PRESSURE GAUGE CONNECTION FF3/8 316	1	-	-
C	924010101	PRESSURE GAUGE WITH MEMBRANE DIAPHRAGM G1/2 16B	1	1	1
-	924010102	PRESSURE GAUGE WITH MEMBRANE DIAPHRAGM G1/2 160B	1	1	1
-	924010103	PRESSURE GAUGE WITH MEMBRANE DIAPHRAGM G1/2 250B	1	1	1
D	155661152	FITTING M3/8 NPT - F1/2 JICT 250Bar -316L	1	1	-
E	924050603	PRESSURE SENSOR WITH MEMBRANE DIAPHRAGM G1/2 16B	1	1	-
-	924050604	PRESSURE SENSOR WITH MEMBRANE DIAPHRAGM G1/2 400B	1	1	-

(\*)  
 Level 1: 1<sup>st</sup> emergency parts  
 Level 2: Wear parts

1.1.18. 15566154X KIT FLOWMETER/SENSOR ATEX - CATALYST

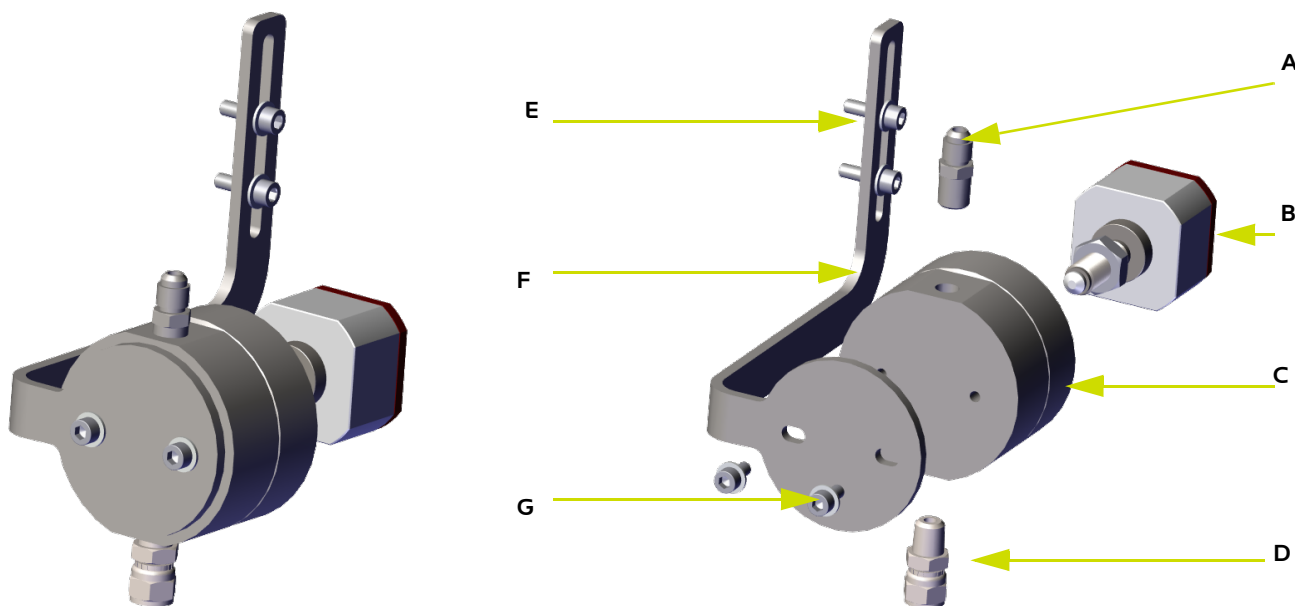


Part number	Description	Flowmeter size
155661540	KIT FLOWMETER CATA 0.07cc	0.07cc
155661541	KIT FLOWMETER CATA 0.12cc	0.12cc
155661542	KIT FLOWMETER CATA 0.24cc	0.24cc
155661580	KIT FLOWMETER CATA 0.24cc 316L	0.24cc

Item	Part number	Description	Qty	Sales unit	Spare parts level (*)
-	-	ATEX CATA FLOWMETER/SENSOR KIT	1	1	-
A	000972025	CONNECTOR M 1/2 JIC M 1/4 NPT	1	1	-
B	155660087	ATEX SENSOR ASSEMBLY FOR FLOWMETER V2-0.07CC	1	1	-
-	155660086	ATEX SENSOR ASSEMBLY FOR FLOWMETER V2-0.12CC & 0.24CC	1	1	2
C	155661190	GEARFLOWMETER 0,07cc FM1/2JICT-1/2JIC	1	1	2
-	155661191	GEARFLOWMETER 0,12cc FM1/2JICT-1/2JIC	1	1	2
-	155661192	GEARFLOWMETER 0,24cc FM1/2JICT-1/2JIC	1	1	2
-	155661195	GEARFLOWMETER 0,24cc FM1/2JICT-1/2JIC INOX 316L	1	1	-
D	905160218	SWIVEL SST 316L FLUID FITTING M1/2 JIC M1/4 G 250B (FREE NUT)	1	1	-
E	88134	CHC SCREW STEEL M6x20	2	1	-
-	963040016	WASHER MN6	2	1	-
F	Not sold separately	BRACKET FOR CATA GEAR FLOWMETER	1	-	-
G	Not sold separately	STEEL CHC SCREW M6x14	2	-	-

(\*) Level 1: 1<sup>st</sup> emergency parts Level 2: Wear parts

1.1.19. 15566154X KIT FLOWMETER / OPTICAL SENSOR - CATALYST

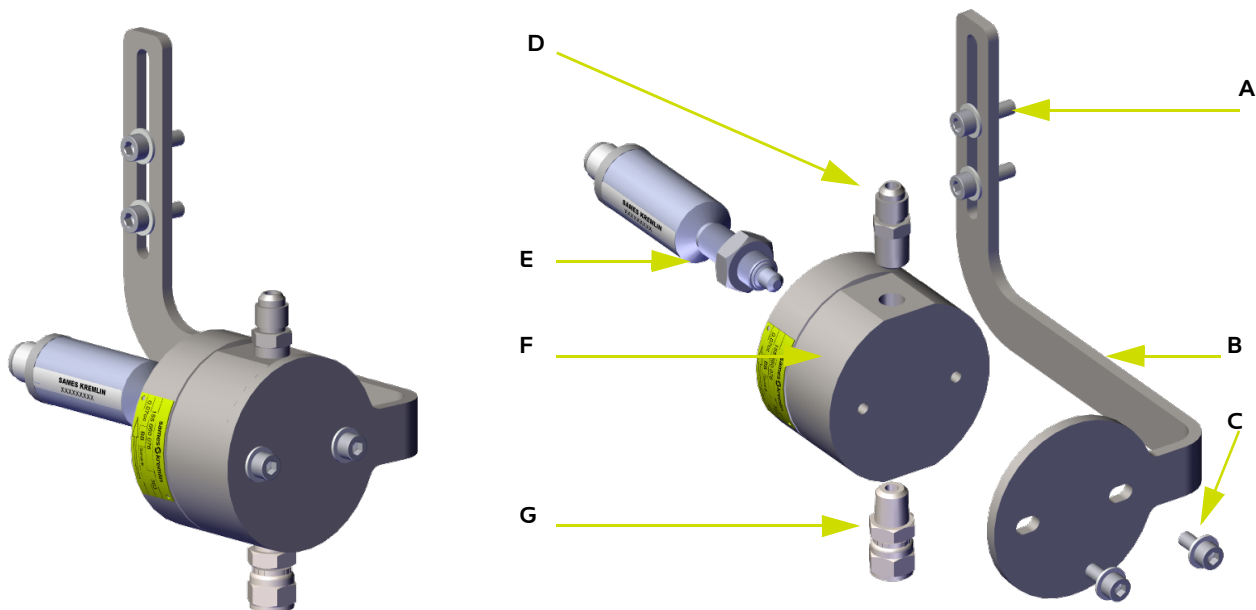


Part number	Description	Flowmeter size
155661543	KIT FLOWMETER CATA 0.07cc - OPT	0.07cc
155661544	KIT FLOWMETER CATA 0.12cc - OPT	0.12cc
155661545	KIT FLOWMETER CATA 0.24cc - OPT	0.24cc
155661581	KIT FLOWMETER CATA 0.24cc 316L - OPT	0.24cc

Item	Part number	Description	Qty	Sales unit	Spare parts level (*)
-		CATA FLOWMETER / OPTICAL SENSOR KIT	1	1	1
A	000972025	CONNECTOR M 1/2 JIC M 1/4 NPT	1	1	-
B	924050601	FIBER OPTIC SENSOR FOP 0.07cc	1	1	-
-	924050602	FIBER OPTIC SENSOR FOP 0.12cc -0.24cc	1	1	-
C	155661190	GEARFLOWMETER 0,07cc FM1/2JICT-1/2JIC	1	1	2
-	155661191	GEARFLOWMETER 0,12cc FM1/2JICT-1/2JIC	1	1	2
-	155661192	GEARFLOWMETER 0,24cc FM1/2JICT-1/2JIC	1	1	2
-	155661195	GEARFLOWMETER 0,24cc FM1/2JICT-1/2JIC INOX 316L	1	1	2
D	905160218	SWIVEL SST 316L FLUID FITTING M1/2 JIC M1/4 G 250B (FREE NUT)	1	1	-
E	88134	CHC SCREW STEEL M6x20	2	1	-
-	963040016	WASHER MN6	2	1	-
F	Not sold separately	BRACKET FOR CATA GEAR FLOWMETER	1	-	-
G	Not sold separately	STEEL CHC SCREW M6x14	2	-	-

(\*)  
**Level 1: 1<sup>st</sup> emergency parts**  
**Level 2: Wear parts**

1.1.20. 15566155X KIT FLOWMETER/SENSOR ATEX - BASE

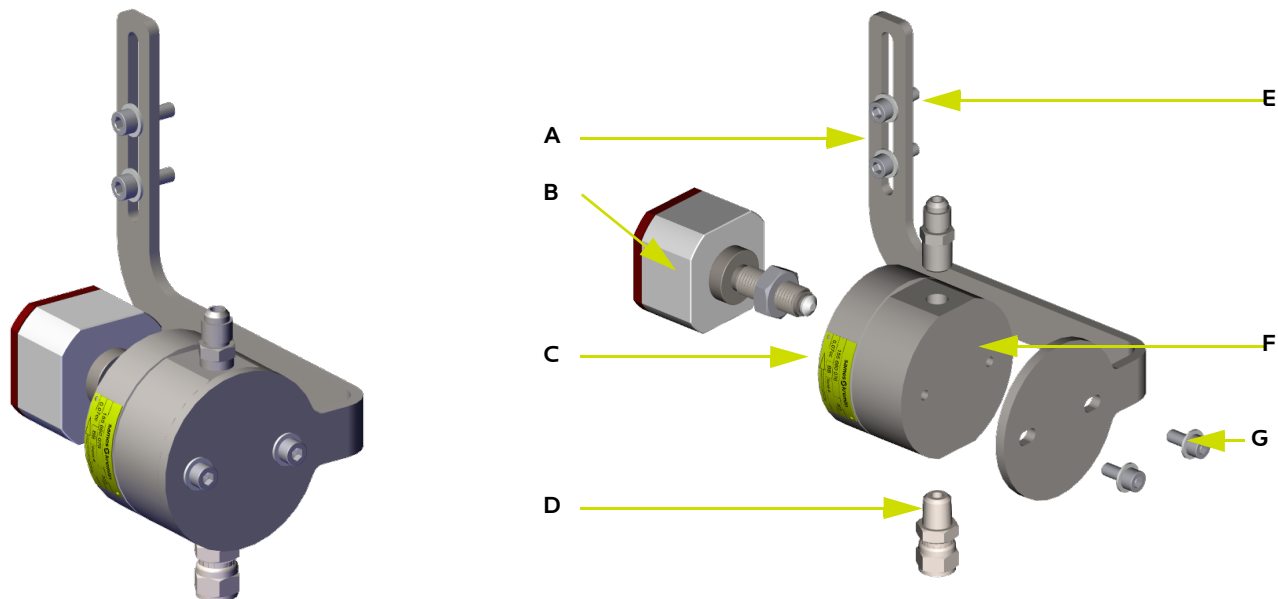


Part number	Description	Flowmeter size
155661550	KIT FLOWMETER BASE 0.07cc	0.07cc
155661551	KIT FLOWMETER BASE 0.12cc	0.12cc
155661552	KIT FLOWMETER BASE 0.24cc	0.24cc
155661585	KIT FLOWMETER BASE 0.24cc 316L	0.24cc

Item	Part number	Description	Qty	Sales unit	Spare parts level (*)
-	-	ATEX BASE FLOWMETER/SENSOR ASSEMBLY	1	1	1
A	88134	CHC SCREW STEEL M6x20	2	1	-
B	Not sold separately	BRACKET FOR CATA GEAR FLOWMETER	1	1	-
C	Not sold separately	STEEL CHC SCREW M6x14	2	1	-
D	000972025	CONNECTOR M 1/2 JIC M 1/4 NPT	1	1	-
E	155660087	ATEX SENSOR ASSEMBLY FOR FLOWMETER V2-0.07CC	1	1	-
-	155660086	ATEX SENSOR ASSEMBLY FOR FLOWMETER V2-0.12CC & 0.24CC	1	1	-
F	155661190	GEARFLOWMETER 0,07cc FM1/2JICT-1/2JIC	1	1	2
-	155661191	GEARFLOWMETER 0,12cc FM1/2JICT-1/2JIC	1	1	2
-	155661192	GEARFLOWMETER 0,24cc FM1/2JICT-1/2JIC	1	1	2
-	155661195	GEARFLOWMETER 0,24cc FM1/2JICT-1/2JIC INOX 316L	1	1	2
G	905160218	SWIVEL SST 316L FLUID FITTING M1/2 JIC M1/4 G 250B (FREE NUT)	1	1	-

(\*) Level 1: 1<sup>st</sup> emergency parts / Level 2: Wear parts

1.1.21. 15566155X FLOWMETER / OPTICAL SENSOR SET - BASE

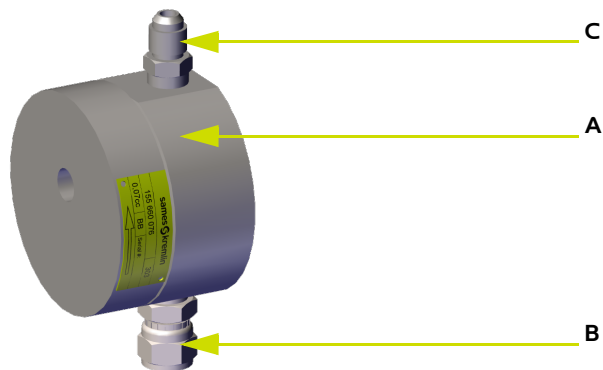


Part number	Description	Flowmeter size
155661553	KIT FLOWMETER BASE 0.07cc - OPT	0.07cc
155661554	KIT FLOWMETER BASE 0.12cc - OPT	0.12cc
155661555	KIT FLOWMETER BASE 0.12cc - OPT	0.24cc
155661586	KIT FLOWMETER BASE 0.24cc 316L - OPT	0.24cc

Item	Part number	Description	Qty	Sales unit	Spare parts level (*)
-	-	FLOWMETER / OPTICAL SENSOR BASE ASSEMBLY	1	1	1
A	000972025	CONNECTOR M 1/2 JIC M 1/4 NPT	1	1	-
B	924050601	FIBER OPTIC SENSOR FOP 0.07cc	1	1	-
-	924050602	FIBER OPTIC SENSOR FOP 0.12cc -0.24cc	1	1	-
C	155661190	GEARFLOWMETER 0,07cc FM1/2JICT-1/2JIC	1	1	2
-	155661191	GEARFLOWMETER 0,12cc FM1/2JICT-1/2JIC	1	1	2
-	155661192	GEARFLOWMETER 0,24cc FM1/2JICT-1/2JIC	1	1	2
-	155661195	GEARFLOWMETER 0,24cc FM1/2JICT-1/2JIC INOX 316L	1	1	2
D	905160218	SWIVEL SST 316L FLUID FITTING M1/2 JIC M1/4 G 250B (FREE NUT)	1	1	-
E	88134	CHC SCREW STEEL M6x20	2	1	-
-	963040016	WASHER MN6	2	1	-
F	Not sold separately	BRACKET FOR BASE GEAR FLOWMETER	1	-	-
G	Not sold separately	STEEL CHC SCREW M6x14	2	-	-

(\*) Level 1: 1<sup>st</sup> emergency parts Level 2: Wear parts

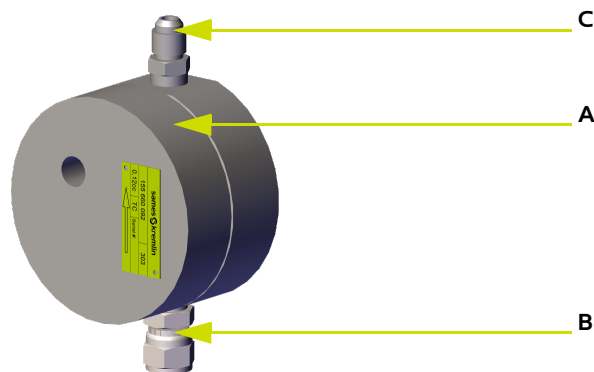
1.1.22. 155661190 GEARFLOWMETER 0,07cc FM1/2JICT-1/2JIC



Item	Part number	Description	Qty	Sales unit	Spare parts level (*)
-	155661190	GEARFLOWMETER 0,07cc FM1/2JICT-1/2JIC	1	1	1-2
A	Not sold separately	FLOWMETER 0.07cc	1	-	-
B	905160218	SWIVEL SST 316L FLUID FITTING M1/2 JIC M1/4 G 250B (FREE NUT)	1	1	1
C	000972025	CONNECTOR M 1/2 JIC M 1/4 NPT	1	1	1

(\*)  
**Level 1: 1st emergency parts**  
**Level 2: Wear parts**

1.1.23. 155661191 GEARFLOWMETER 0,12cc FM1/2JICT-1/2JIC

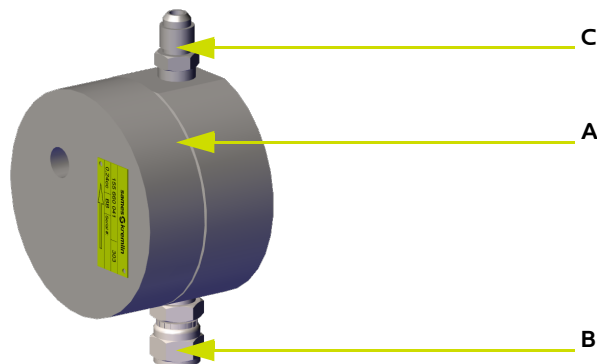


Item	Part number	Description	Qty	Sales unit	Spare parts level (*)
-	155661191	GEARFLOWMETER 0,12cc FM1/2JICT-1/2JIC	1	1	1-2
A	Not sold separately	FLOWMETER 0.12cc	1	-	-
B	905160218	SWIVEL SST 316L FLUID FITTING M1/2 JIC M1/4 G 250B (FREE NUT)	1	1	1
C	000972025	CONNECTOR M 1/2 JIC M 1/4 NPT	1	1	1

(\*)  
**Level 1: 1<sup>st</sup> emergency parts**  
**Level 2: Wear parts**



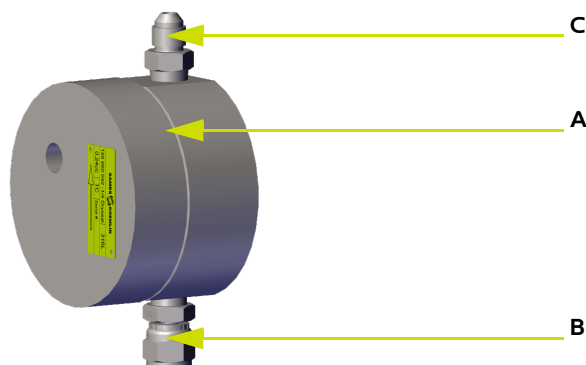
1.1.24. 155661192 GEARFLOWMETER 0,24cc FM1/2JICT-1/2JIC



Item	Part number	Description	Qty	Sales unit	Spare parts level (*)
-	<b>155661192</b>	GEARFLOWMETER 0,24cc FM1/2JICT-1/2JIC	1	1	1-2
<b>A</b>	<b>Not sold separately</b>	GEARFLOWMETER 0,24cc	1	-	-
<b>B</b>	<b>905160218</b>	SWIVEL SST 316L FLUID FITTING M1/2 JIC M1/4 G 250B (FREE NUT)	1	1	1
<b>C</b>	<b>000972025</b>	CONNECTOR M 1/2 JIC M 1/4 NPT	1	1	1

(\*)  
 Level 1: 1<sup>st</sup> emergency parts  
 Level 2: Wear parts

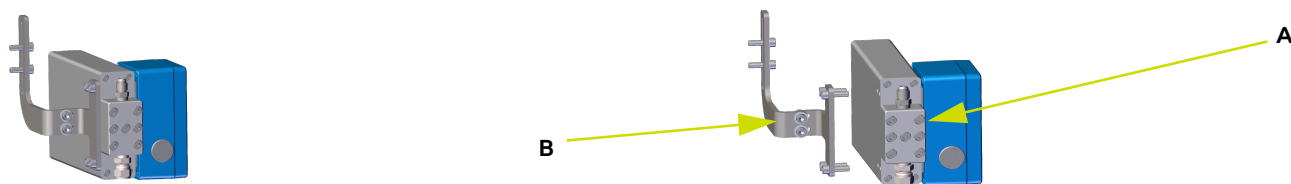
1.1.25. 155661195 GEARFLOWMETER 0,24cc FM1/2JICT-1/2JIC INOX 316L



Item	Part number	Description	Qty	Sales unit	Spare parts level (*)
-	<b>155661195</b>	GEARFLOWMETER 0,24cc FM1/2JICT-1/2JIC INOX 316L	1	1	1-2
<b>A</b>	<b>Not sold separately</b>	GEARFLOWMETER 0,24cc INOX 316L	1	-	-
<b>B</b>	<b>905160218</b>	SWIVEL SST 316L FLUID FITTING M1/2 JIC M1/4 G 250B (FREE NUT)	1	1	1
<b>C</b>	<b>000972025</b>	CONNECTOR M 1/2 JIC M 1/4 NPT	1	1	1

(\*)  
 Level 1: 1<sup>st</sup> emergency parts/Level 2: Wear parts

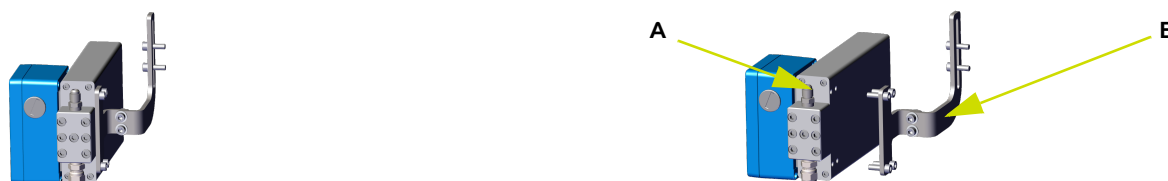
1.1.26. 15566156X MASSFLOWMETER SET - CATA



Description	Flowmeter size	Reference
MASSFLOWMETER RHM04 - CATA	RHM04	155661561
MASSFLOWMETER RHM03 - CATA	RHM03	155661565

Item	Part number	Description	Qty	Sales unit	Spare parts level (*)
-	-	MASSFLOWMETER - CATA	1	1	-
A	155661193	MASSFLOWMETER RHM04 ATEX FM1/2JICT-1/2JIC	1	1	-
-	155661194	MASSFLOWMETER RHM03 ATEX FM1/2JICT-1/2JIC	1	1	-
B	155661168	BRACKET FOR HARDENER/THINNER MASSFLOWMETER	1	1	-
-	Not sold separately	COMMON MOUNTING BRACKET	1	-	-
-	Not sold separately	CATA MOUNTING BRACKET	1	-	-
-	88134	CHC SCREW STEEL M6x20	8	1	-
-	Not sold separately	WASHER MN6	8	1	-

(\*) Level 1: 1<sup>st</sup> emergency parts / Level 2: Wear parts  
 1.1.27. 15566156X MASS FLOWMETER - BASE

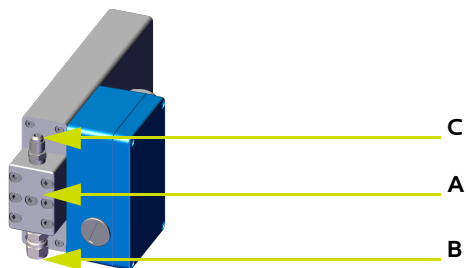


Part number	Description	Flowmeter size
155661560	MASSFLOWMETER RHM04 - BASE	RHM04
155661566	MASSFLOWMETER RHM04 - BASE	RHM03

Item	Part number	Description	Qty	Sales unit	Spare parts level (*)
-	-	MASSFLOWMETER - BASE	1	1	-
A	155661193	MASSFLOWMETER RHM04 ATEX FM1/2JICT-1/2JIC	1	1	-
-	155661194	MASSFLOWMETER RHM03 ATEX FM1/2JICT-1/2JIC	1	1	-
B	155661169	BRACKET FOR BASE MASSE FLOW METERS + HARDWARE	1	1	-
-	Not sold separately	COMMON FIXING BRACKET	1	-	-
-	Not sold separately	BASE MOUNTING BRACKET	1	-	-
-	88134	CHC SCREW STEEL M6x20	8	1	-
-	Not sold separately	WASHER MN6	8	1	-

(\*) Level 1: 1<sup>st</sup> emergency parts / Level 2: Wear parts

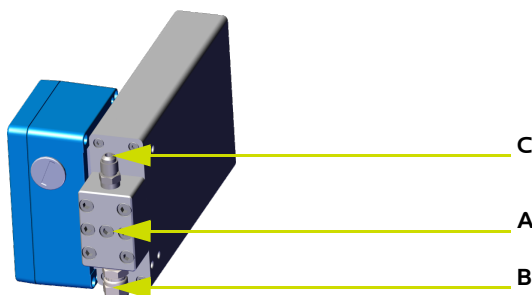
1.1.28. 155661193 MASSFLOWMETER RHM04 ATEX FM1/2JICT-1/2JIC



Item	Part number	Description	Qty	Sales unit	Spare parts level (*)
-	155661193	MASSFLOWMETER RHM04 ATEX FM1/2JICT-1/2JIC	1	1	1-2
A	Not sold separately	RHM04 MASSFLOWMETER	1	-	-
B	905160218	SWIVEL SST 316L FLUID FITTING M1/2 JIC M1/4 G 250B (FREE NUT)	1	1	1
C	000972025	CONNECTOR M 1/2 JIC M 1/4 NPT	1	1	1

(\*) Level 1: 1<sup>st</sup> emergency parts / Level 2: Wear parts

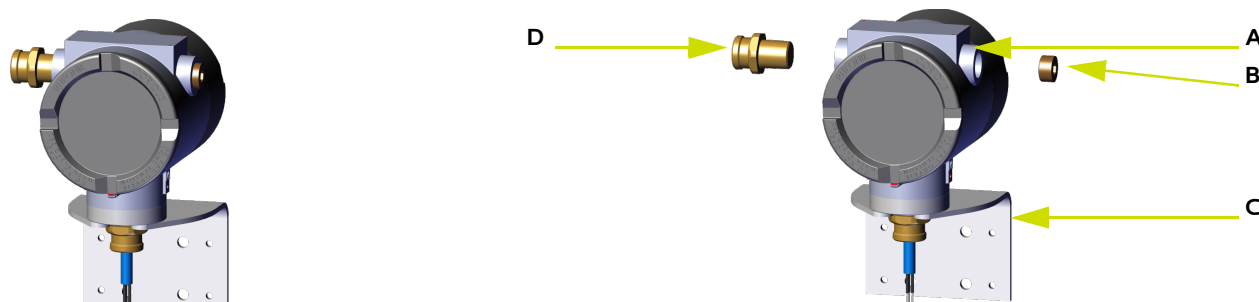
1.1.29. 155661194 MASSFLOWMETER RHM03 ATEX FM1/2JICT-1/2JIC



Item	Part number	Description	Qty	Sales unit	Spare parts level (*)
-	155661194	MASSFLOWMETER RHM03 ATEX FM1/2JICT-1/2JIC	1	1	1-2
A	Not sold separately	RHM03 MASS FLOW METER	1	-	-
B	905160218	SWIVEL SST 316L FLUID FITTING M1/2 JIC M1/4 G 250B (FREE NUT)	1	1	1
C	000972025	CONNECTOR M 1/2 JIC M 1/4 NPT	1	1	1

(\*) Level 1: 1<sup>st</sup> emergency parts / Level 2: Wear parts

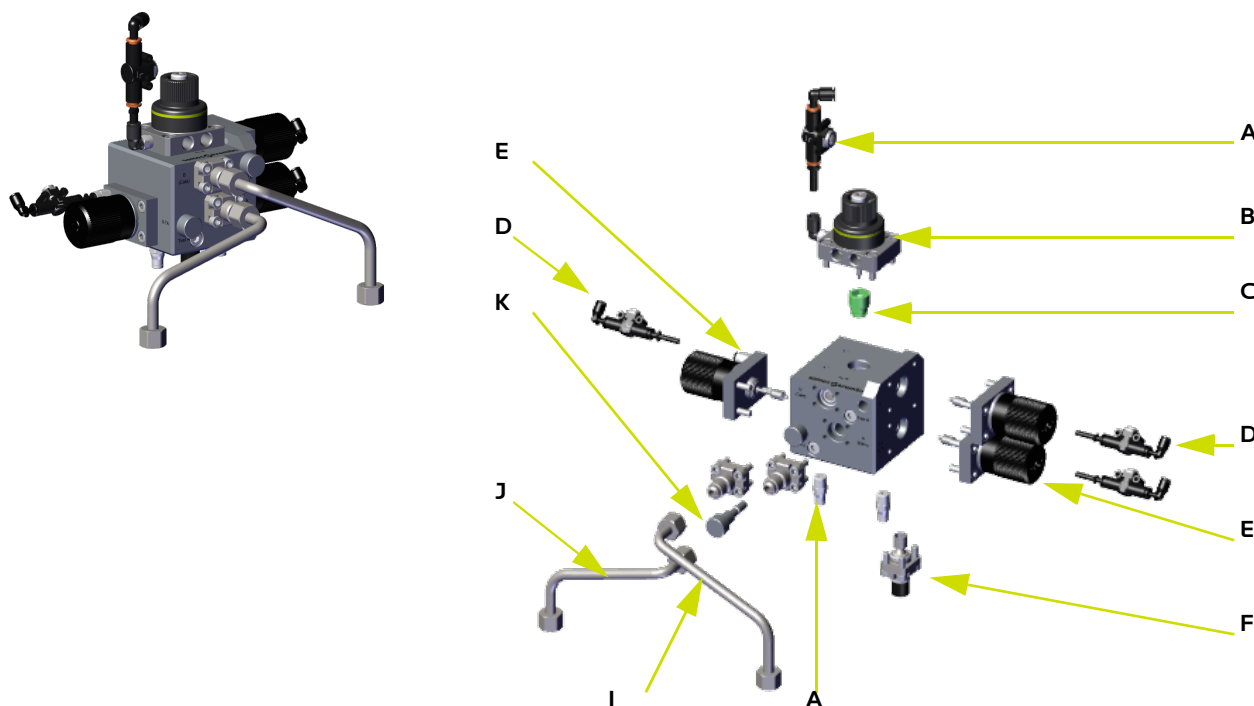
1.1.30. 155661567 RHE42 TRANSMITTER FOR MASSFLOWMETER



Item	Part number	Description	Qty	Sales unit	Spare parts level (*)
-	<b>155661167</b>	RHE42 TRANSMITTER FOR MASSFLOWMETER	1	1	1-2
A	<b>Not sold separately</b>	RHE42 TRANSMITTER	1	-	-
B	<b>901202044</b>	NUT ATEX EXD 1/2	1	1	1
C	<b>901202043</b>	CABLE GLAND ATEX 1/2 NPT	1	1	1

(\*) Level 1: 1<sup>st</sup> emergency parts / Level 2: Wear parts

1.1.31. 15566146X 2K INJECTION BLOCK

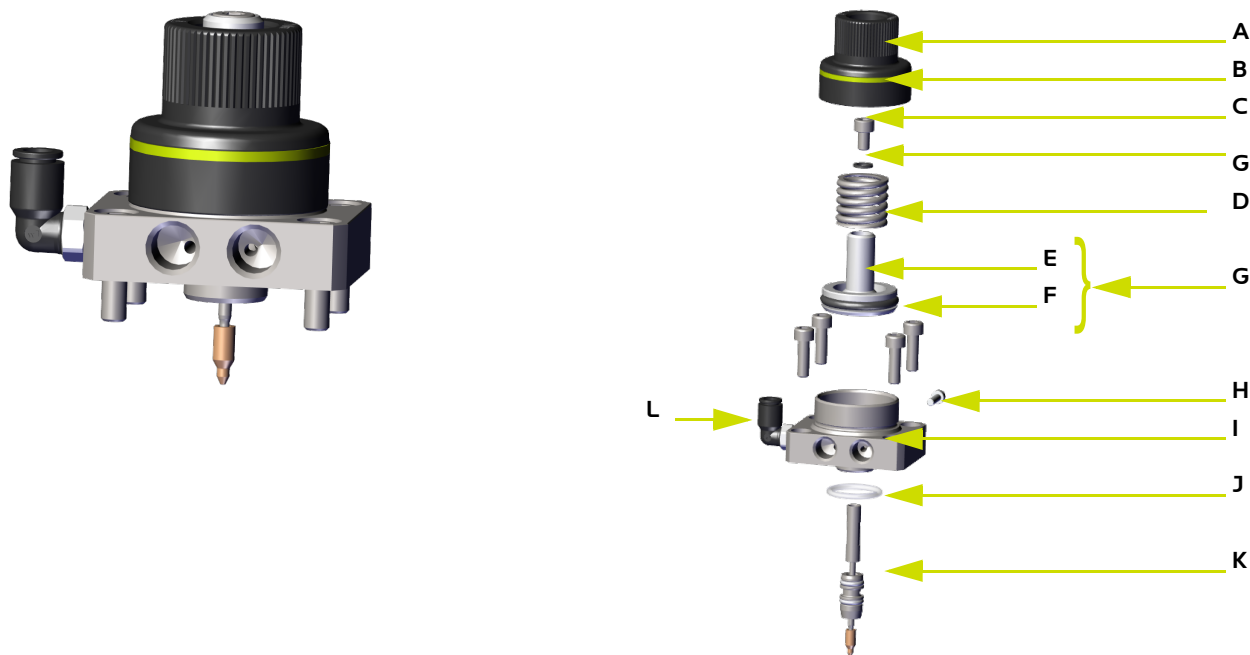


Part number	Description
<b>155661460</b>	BLOC 2K EQUIPPED WITH GT CARTRIDGE NEEDLE BALL INSERT 100
<b>155661461</b>	2K BLOCK EQUIPPED WITH PTFE CARTRIDGE NEEDLE BALL INSERT 100
<b>155661462</b>	2K BLOCK EQUIPPED WITH PTFE CARTRIDGE NEEDLE PEEK INSERT 100
<b>155661463</b>	BLOCK 2K EQUIPPED CARTRIDGE GT NEEDLE PEEK INSERT 100

Item	Part number	Description	Qty	Sales unit	Spare parts level (*)
-	-	EQUIPPED 2K INJECTION BLOCK	1	1	1-2
A	155680086	AIR NO-RETURN VALVE D6 (SPARE PART)	1	1	-
B	15566127C	240B INJECTION VALVE, 303 STAINLESS STEEL	1	1	1-2
C	15566123Z	INSERT/SEAT HOLDER - STAINLESS STEEL 303	1	1	1-2
D	155680085	AIR NO-RETURN VALVE D4	3	1	2
E	155535315	AIRMIX VALVE 240B	3	1	2
F	155661163	NON-RETURN VALVE ASSEMBLY - AIRCHOP	1	1	2
G	552551	AIR CONNECTION M1/8 - D4	1	1	-
H	115661162	NON-RETURN VALVE ASSEMBLY M1/2JIC	1	1	-
I	155661164	STRAIGHT PRODUCT TUBE FOR CYCLOMIX <sup>®</sup> EVO INJECTION BLOCK	1	1	-
J	155661165	LEFT PRODUCT TUBE FOR CYCLOMIX <sup>®</sup> EVO INJECTION BLOCK	1	1	-
K	155661160	TEST VALVE TAP NEEDLE + SEAL	1	1	-

(\*) Level 1: 1<sup>st</sup> emergency parts / Level 2: Wear parts

1.1.32. 15566127C INJECTION VALVE 240B - STAINLESS STEEL 303

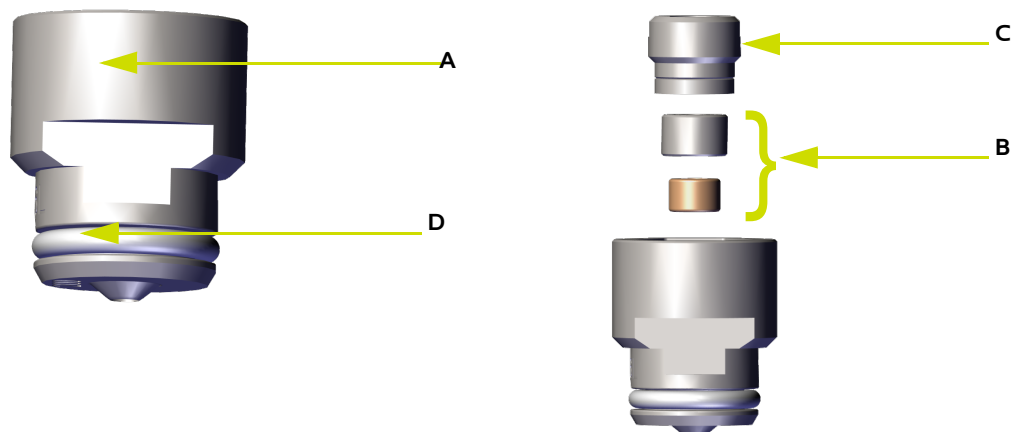


Item	Part number	Description	Qty	Sales unit	Spare parts level (*)
-	15566127C	240B INJECTION VALVE, 303 STAINLESS STEEL	1	1	1-2
A	129982041	ASC REAR CYLINDER	1	1	-
B	Not sold separately	PHOSPHORUS RING	1	-	-
C	Not sold separately	STEEL SCREW M5x16	1	-	-
D	150314106	PISTON SPRING 240 BAR FOR ASC	1	1	1-2
E	Not sold separately	PISTON BODY	1	-	-
F	909130522	O-RING FKM NOIR 80SH 26.20x3.60	1	1	1-2
G	129982045	PISTON ASSEMBLY FOR ASC	1	1	1-2
H	88127	CHC SCREW STEEL M5x8	1	-	-
I	155661112	FLANGE SST 303	1	1	-
J	909420502	SEAL FEP/FMP	1	1	1-2
K	129990040	GT CARTRIDGE-CARBIDE NEEDLE ASSEMBLY FOR ASB OR ASC GUN	1	1	1-2
	129990050	PTFE CARTRIDGE-CARBIDE NEEDLE ASSEMBLY FOR ASB OR ASC GUN	1	1	1-2
	129990070	PTFE CARTRIDGE-PEEK NEEDLE ASSEMBLY FOR ASB OR ASC GUN	1	1	1-2
	129990080	GT CARTRIDGE-PEEK NEEDLE ASSEMBLY FOR ASB OR ASC GUN	1	1	1-2
L	905120902	SQUARE CONN. M 5X10 (1/8) FOR 4X6 NYLON HOSE	1	1	-

(\*) Level 1: 1<sup>st</sup> emergency parts  
 Level 2: Wear parts

Part number	NEEDLE		CARTRIDGE	
	PEEK	CARBIDE	PTFE	GT
155661270		X		X
155661271		X	X	
155661272	X		X	
155661273	X			X

1.1.33. 15566123Z INSERT/SEAT HOLDER - STAINLESS STEEL 303

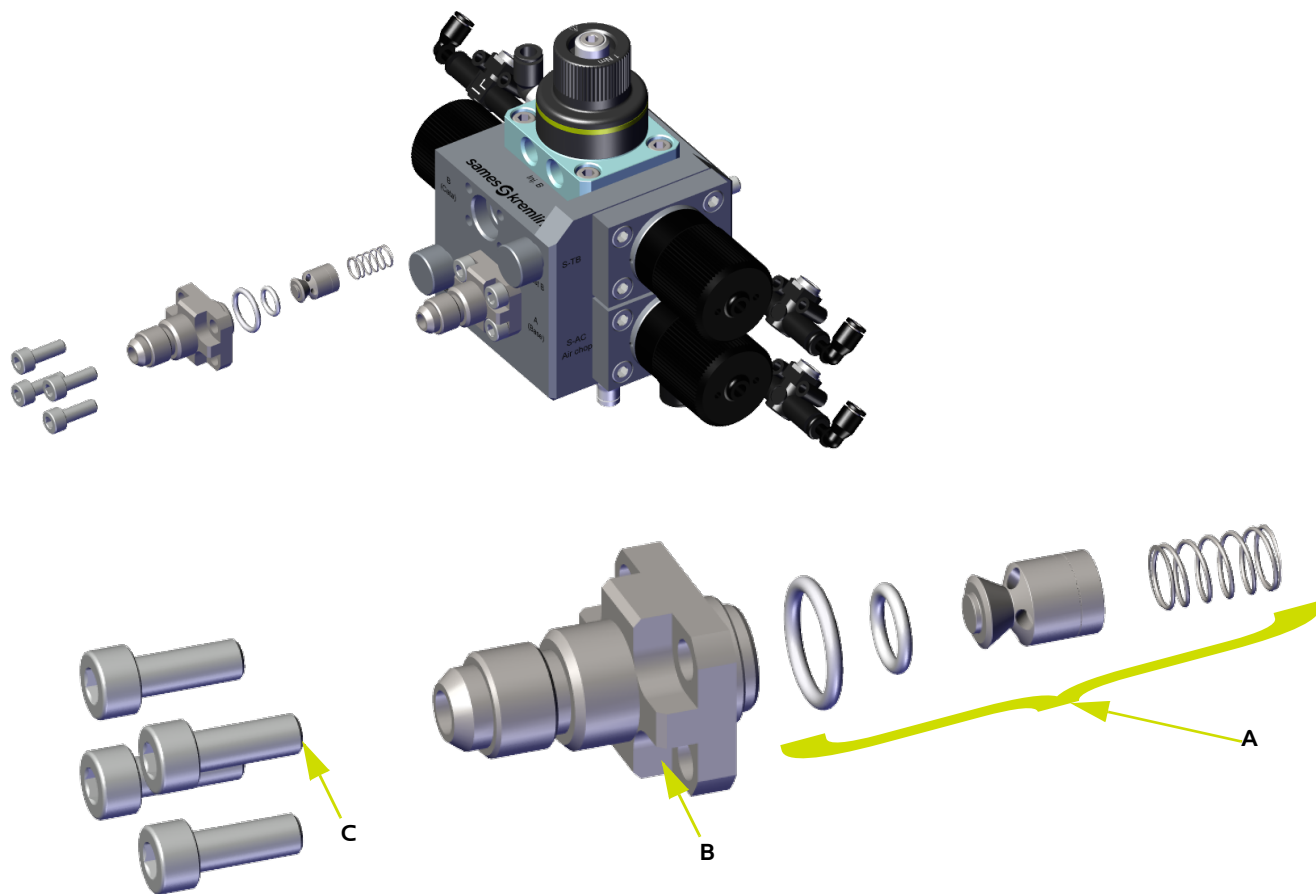


Item	Part number	Description	Qty	Sales unit	Spare parts level (*)
-	15566123Z	INSERT/SEAT HOLDER - STAINLESS STEEL 303	1	1	1-2
A	Not sold separately	INSERT HOLDER/SEAT WITH CARBIDE INSERT	1	-	-
B	129729917	PACK OF 2 VALVE SEATS WITH PEEK SEALS XCITE & XCITE+ 400B	1	-	-
C	029600106	DELRIN SEAT HOLDER SCREW FOR SFLOW/ ASB/ASC	1	-	-
D	109420708	PACK OF 4 O-Ring 9.25x1.78	1	4	1

(\*)  
 Level 1: 1<sup>st</sup> emergency parts  
 Level 2: Wear parts

INSERT/SEAT HOLDER 303				
Part number	SIZE			
	20	45	100	200
155661230	X			
155661231		X		
155661232			X	
155661233				X

1.1.34. 155661162 KIT CHECK VALVE M1/2JIC

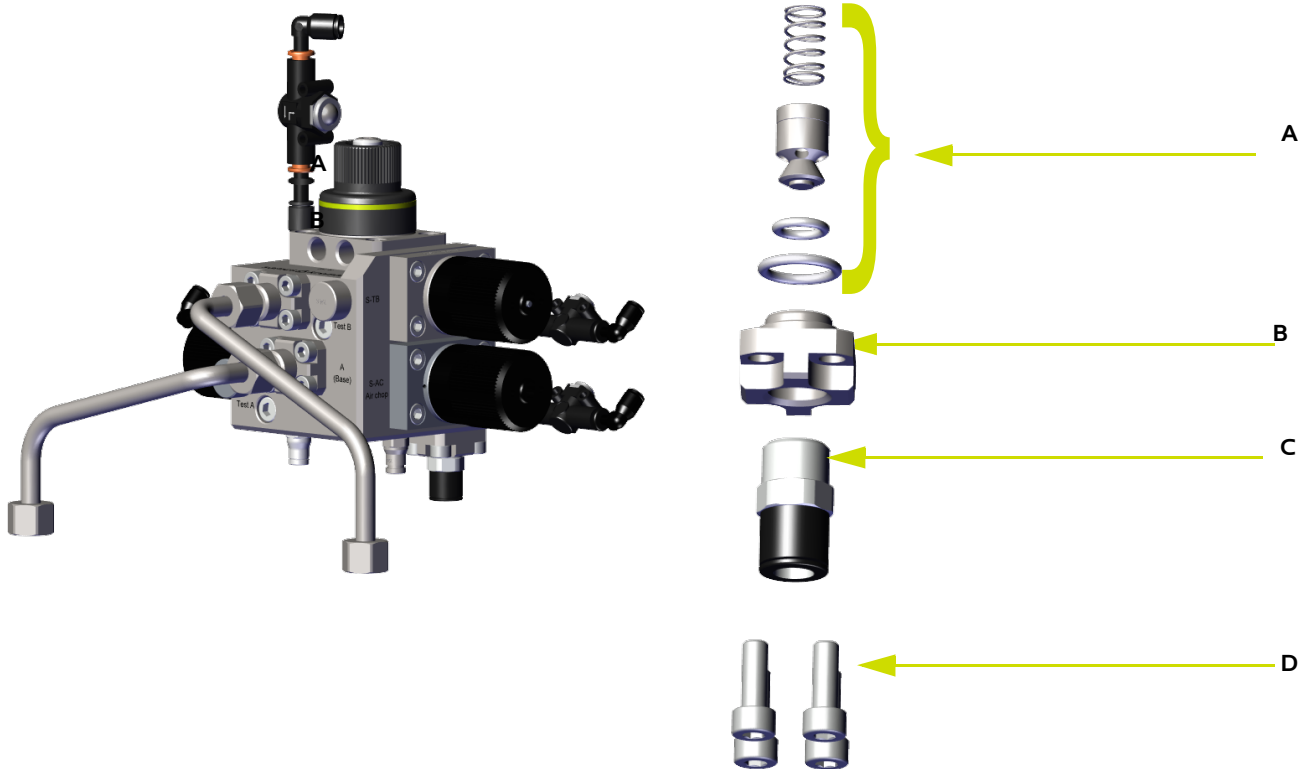


Item	Part number	Description	Qty	Sales unit	Spare parts level (*)
-	<b>155661162</b>	KIT CHECK VALVE M1/2JIC	1	1	-
<b>A</b>	<b>155661161</b>	CYCLOMIX® EVO SPRING NEEDLE SEALS / NON-RETURN VALVE	1	1	1-2
<b>B</b>	<b>155661125</b>	CHECK VALVE FLANGE M1/2JIC	1	1	1
<b>C</b>	<b>88128</b>	CHC SCREW STEEL M5x14	4	1	1

(\*)  
 Level 1: 1<sup>st</sup> emergency parts  
 Level 2: Wear parts



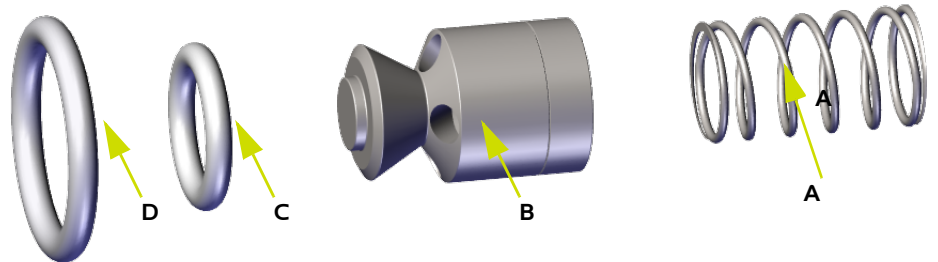
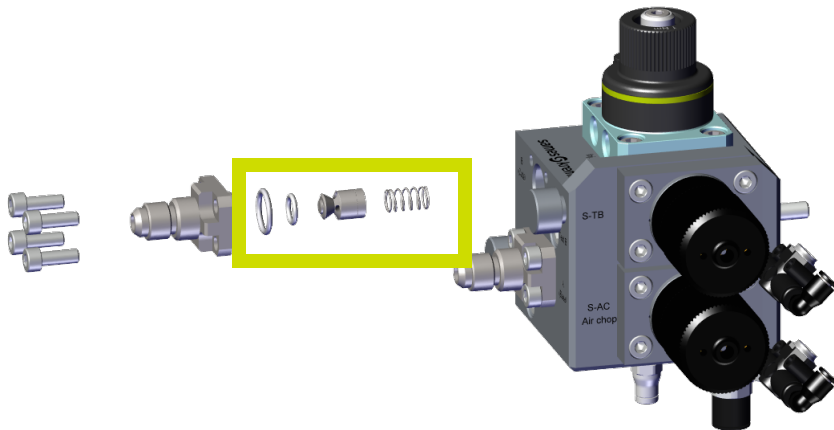
1.1.35. 155661163 NON-RETURN VALVE ASSEMBLY - AIRCHOP



Item	Part number	Description	Qty	Sales unit	Spare parts level (*)
-	<b>155661163</b>	NON-RETURN VALVE ASSEMBLY - AIRCHOP	1	1	-
<b>A</b>	<b>155661161</b>	CYCLOMIX® EVO SPRING NEEDLE SEALS / NON-RETURN VALVE	1	1	1-2
<b>B</b>	<b>155661126</b>	CHECK VALVE FLANGE F1/4 BSP	1	1	1
<b>C</b>	<b>88128</b>	CHC SCREW STEEL M5x14	4	1	-

(\*)  
 Level 1: 1<sup>st</sup> emergency parts  
 Level 2: Wear parts

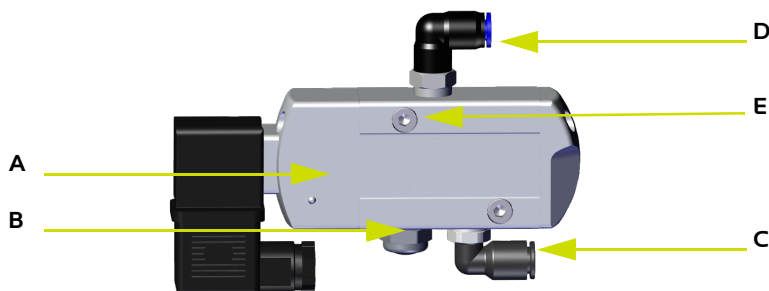
1.1.36. 155661161 CYCLOMIX® EVO SPRING NEEDLE SEALS / NON-RETURN VALVE



Item	Part number	Description	Qty	Sales unit	Spare parts level (*)
-	<b>155661161</b>	CYCLOMIX® EVO SPRING NEEDLE SEALS / NON-RETURN VALVE	1	1	-
<b>A</b>	<b>Not sold separately</b>	SPRING FOR CHECK VALVE	1	-	-
<b>B</b>	<b>Not sold separately</b>	CHECK VALVE	1	-	-
<b>C</b>	<b>J3STKL094</b>	O-RING 7,65/1,78 PERFLUORATED	1	1	1-2
<b>D</b>	<b>155662099</b>	PACK OF 10 SEALS FFKM 12.4x2	1	10	1-2

(\*)  
 Level 1: 1<sup>st</sup> emergency parts  
 Level 2: Wear parts

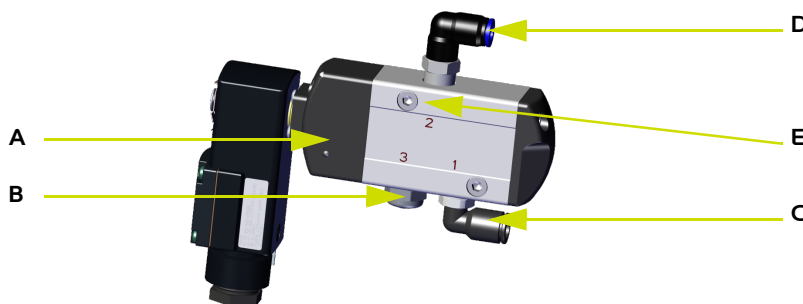
1.1.37. 155661200 ELECTRODISTRIBUTEUR STANDARD 3/2 VANNE D'INJECTION



Item	Part number	Description	Qty	Sales unit	Spare parts level (*)
-	155661200	NON ATEX - 3/2 INJECTION VALVE DISTRIBUTOR	1	1	-
A	Not sold separately	DISTRIBUTOR 3/2 G1/4 24V	1	-	-
B	90018	SILENCER	1	1	2
C	905120912	SQUARE CONN M8X13 (1/4) FOR 6X8 NYLON HOSE	1	1	-
D	Not sold separately	ELBOW G.1/4 TUBE 4X6	1	-	-
E	Not sold separately	SCREW CHC 5X30 CL 8/8 STEEL ZG	2	-	-

(\*)  
 Level 1: 1<sup>st</sup> emergency parts  
 Level 2: Wear parts

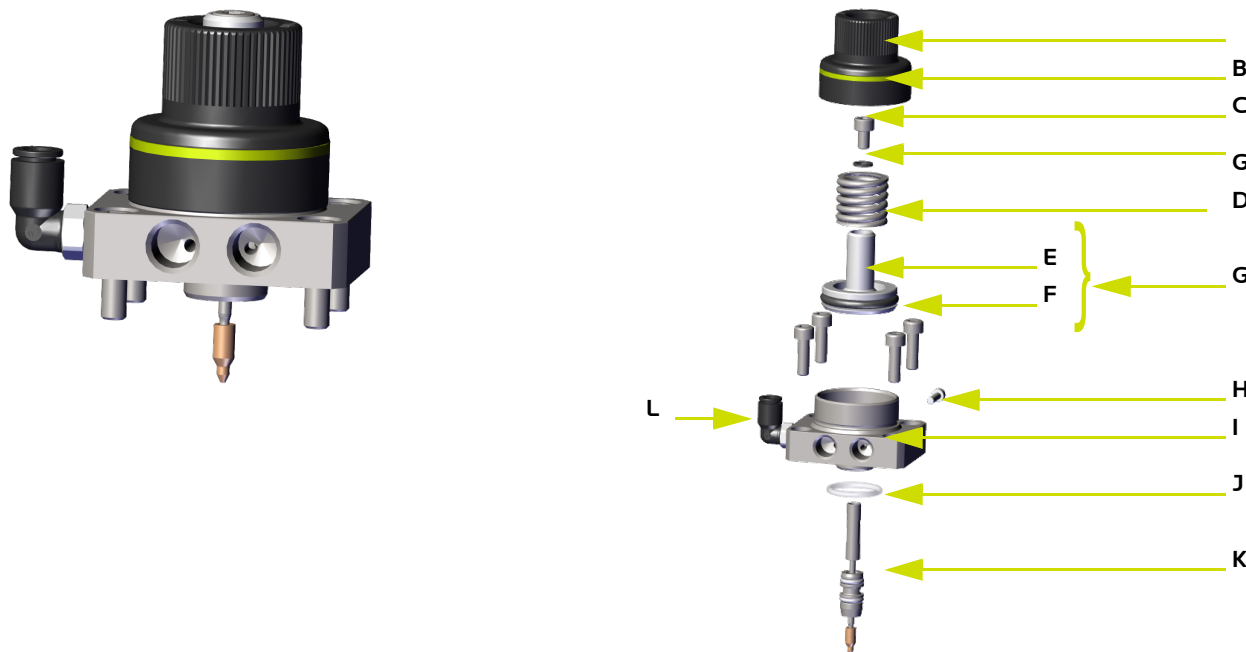
1.1.38. 155661205 ATEX INJECTION VALVE DISTRIBUTOR - 3/2



Item	Part number	Description	Qty	Sales unit	Spare parts level (*)
-	155661205	ATEX INJECTION VALVE DISTRIBUTOR - 3/2	1	1	1
A	Not sold separately	DISTRIBUTOR 3/2 ATEX G1/4 24V	1	-	-
B	90018	SILENCER	1	1	2
C	905120912	SQUARE CONN M8X13 (1/4) FOR 6X8 NYLON HOSE	1	1	-
D	Not sold separately	ELBOW G.1/4 TUBE 4X6	1	-	-
E	Not sold separately	SCREW CHC 5X30 CL 8/8 STEEL ZG	2	-	-

(\*)  
 Level 1: 1<sup>st</sup> emergency parts  
 Level 2: Wear parts

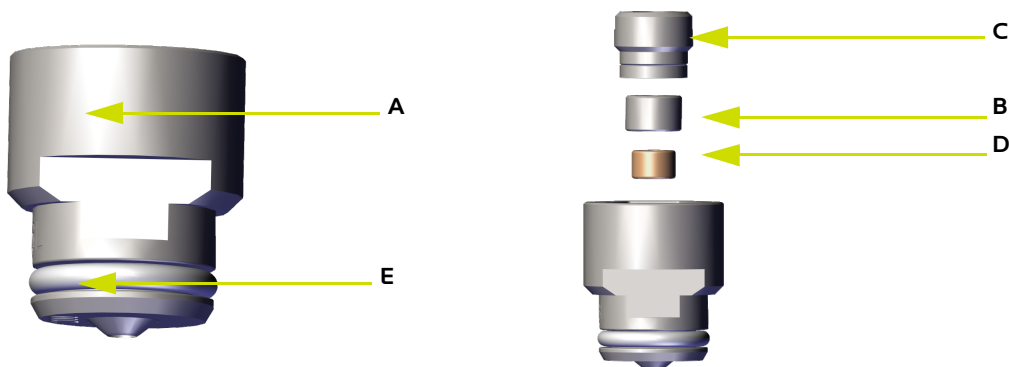
1.1.39. 155661260 INJECTION VALVE CYCLOMIX® EVO 240B PTFE/PEEK 316L



Item	Part number	Description	Qty	Sales unit	Spare parts level (*)
-	155661260	INJECTION VALVE CYCLOMIX® EVO 240B PTFE/PEEK 316L	1	1	1-2
A	129982041	ASC REAR CYLINDER	1	1	-
B	Not sold separately	PHOSPHORUS RING	1	-	-
C	Not sold separately	STEEL SCREW M5x16	1	-	-
D	150314106	PISTON SPRING 240 BAR FOR ASC	1	1	1-2
E	Not sold separately	PISTON BODY	1	-	-
F	909130522	O-RING FKM NOIR 80SH 26.20x3.60	1	1	1-2
G	129982045	PISTON ASSEMBLY FOR ASC	1	1	1-2
H	88127	CHC SCREW STEEL M5x8	1	-	-
I	155661113	FLANGE INJECTION VALVE SS316	1	1	-
J	909420502	SEAL FEP/FMP	1	1	1-2
K	129990090	SET SEAT NEEDLE PEEK CARTRIDGE RULON	1	1	1-2
L	905120902	SQUARE CONN. M 5X10 (1/8) FOR 4X6 NYLON HOSE	1	1	-

(\*)  
 Level 1: 1<sup>st</sup> emergency parts  
 Level 2: Wear parts

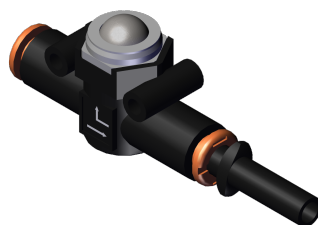
1.1.40. 155661215 INSERT / SEAT DOOR - INOX 316L



Item	Part number	Description	Qty	Sales unit	Spare parts level (*)
-	<b>155661215</b>	INSERT / SEAT DOOR - INOX 316L	1	1	1-2
A	Not sold separately	BARE INSERT HOLDER 316L	1	-	-
B	Not sold separately	SEAT STAINLESS STEEL 316L	1	-	-
C	Not sold separately	316L STAINLESS STEEL SCREW	1	-	-
D	Not sold separately	SEAT BRIDGE	1	-	-
E	<b>109420708</b>	PACK OF 4 O-Ring 9.25x1.78	1	4	1

(\*)  
 Level 1: 1<sup>st</sup> emergency parts  
 Level 2: Wear parts

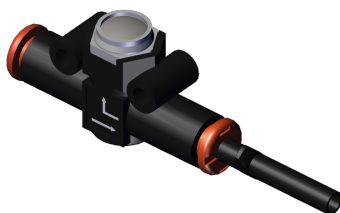
1.1.41. 155680086 AIR NO-RETURN VALVE D6 (SPARE PART)



Item	Part number	Description	Qty	Sales unit	Spare parts level (*)
-	<b>155680086</b>	AIR NO-RETURN VALVE D6 (SPARE PART)	1	1	1-2
A	Not sold separately	QUICK EXHAUST VALVE D6	1	1	-
B	Not sold separately	D6 SNAP JUNCTION	1	-	-

(\*)  
 Level 1: 1<sup>st</sup> emergency parts  
 Level 2: Wear parts

1.1.42. 155680085 AIR NO-RETURN VALVE D4



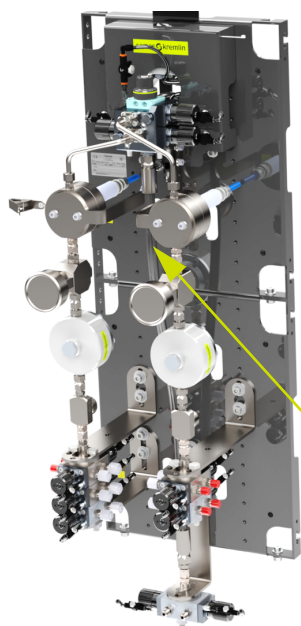
Item	Part number	Description	Qty	Sales unit	Spare parts level (*)
-	155680085	AIR NO-RETURN VALVE D4	1	1	1-2
A	Not sold separately	QUICK EXHAUST VALVE D4	1	1	-
B	Not sold separately	D4 SNAP JUNCTION	1	-	-

(\*) Level 1: 1<sup>st</sup> emergency parts / Level 2: Wear parts

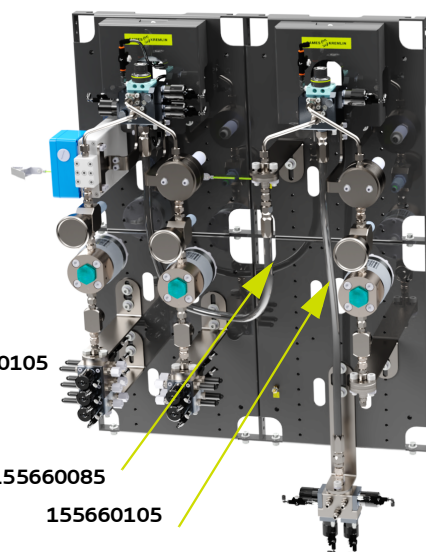
1.1.43. MIXER ASSEMBLY

CYCLOMIX® EVO 2K

CYCLOMIX® EVO 3K

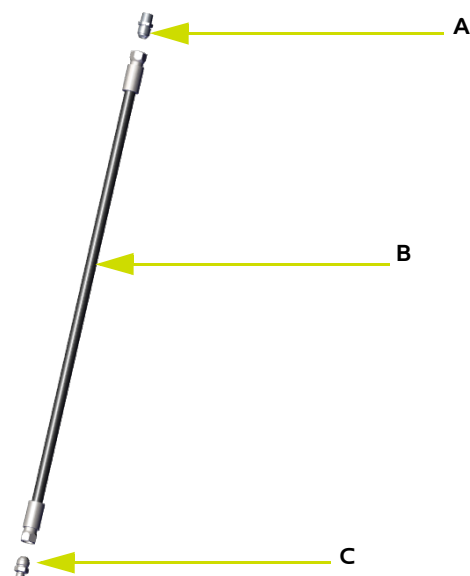


155660105



155660085

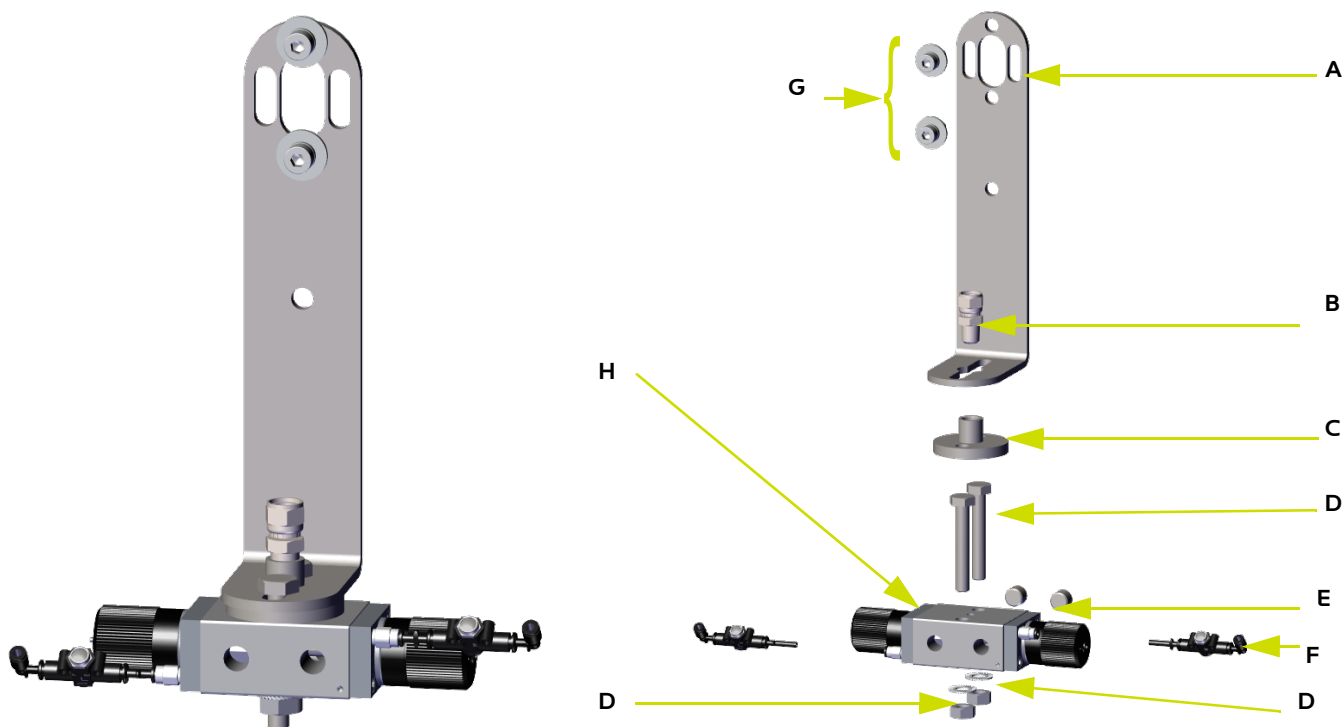
155660105



Item	Part number	Description	Qty	Sales unit	Spare parts level (*)
-	-	MIXER ASSEMBLY	1	1	-
A	905210513	SS CONNECTOR M 3/8 NPT M3/4 JIC	1	1	-
B	155660105	D4 SNAP JUNCTION	1	-	1-2
-	155680085	FLEXIBLE MIXER ASSY 375 B LG 1M10 15 MEL	1	1	1-2
C	906314217	SST FITTING MODEL MM 3/4 JIC - 1/2 JIC	1	1	-

(\*) Level 1: 1<sup>st</sup> emergency parts/Level 2: Wear parts

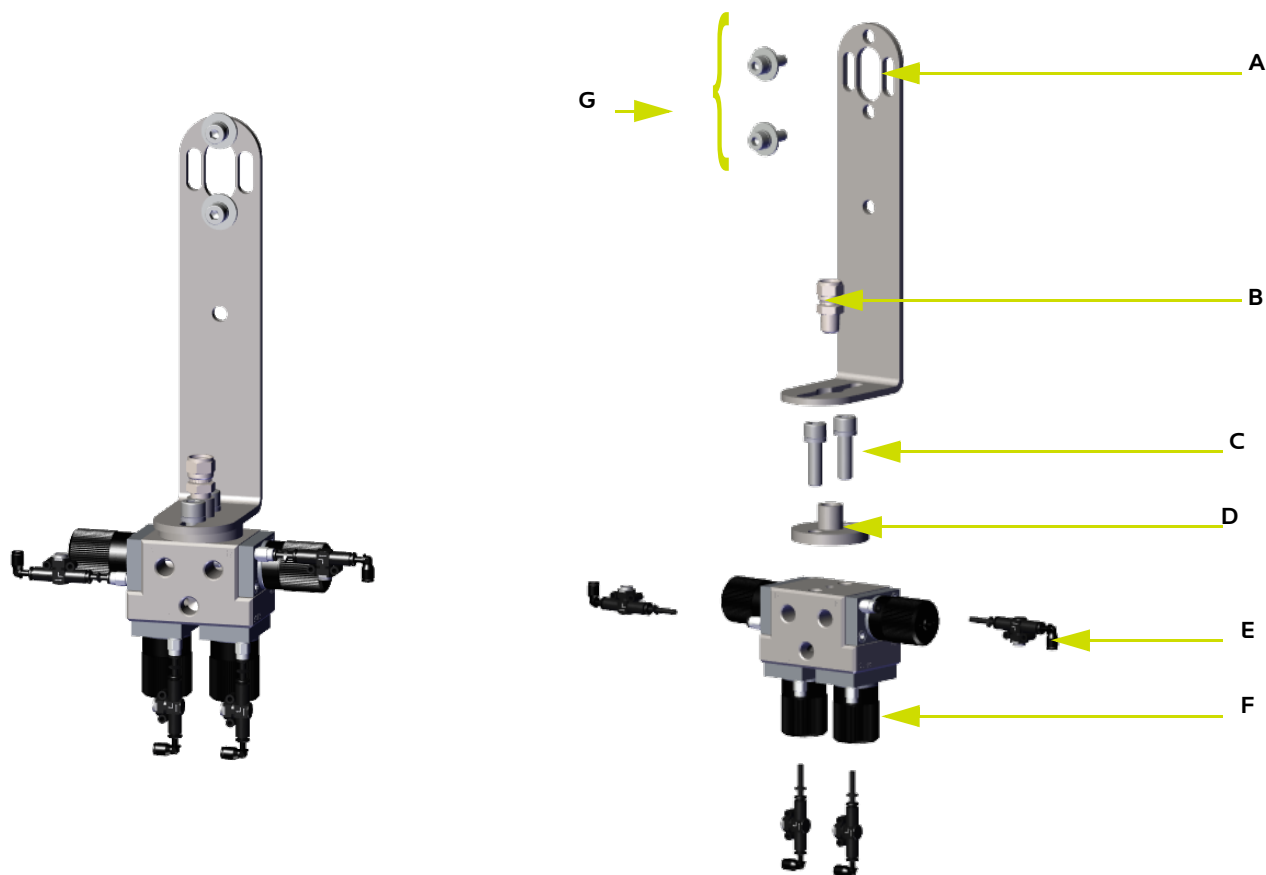
1.1.44. 155661280 SET 2 GUNS MANAGEMENT BLOCK WITHOUT FLUSH



Item	Part number	Description	Qty	Sales unit	Spare parts level (*)
-	<b>155661280</b>	SET 2 GUNS MANAGEMENT BLOCK WITHOUT FLUSH	1	1	-
<b>A</b>	<b>155661101</b>	CTM SUPPORT BRACKET	1	1	-
<b>B</b>	<b>905160218</b>	SWIVEL SST 316L FLUID FITTING M1/2 JIC M1/4 G 250B (FREE NUT)	1	1	-
<b>C</b>	<b>155535500</b>	FLANGE ASSEMBLY MATERIAL OUTLET	1	1	-
<b>D</b>	<b>155535610</b>	SET OF 2 TIE RODS FOR 1 MODULE + FLANSE	1	1	-
<b>E</b>	<b>905210303</b>	1/4 G PLUG S/S	2	1	-
<b>F</b>	<b>Not sold separately</b>	QUICK EXHAUST ASSEMBLY	2	-	-
-	<b>155680085</b>	AIR NO-RETURN VALVE D4	1	1	1
-	<b>905120983</b>	ELBOW FAST FITTING MF 2.7X4	1	1	-
<b>G</b>	<b>88152</b>	STEEL SCREW CHC M 8X25	2	1	-
<b>H</b>	<b>155535350</b>	SS AIRMIX END MODULE 240 B	1	1	-

(\*)  
 Level 1: 1<sup>st</sup> emergency parts  
 Level 2: Wear parts

1.1.45. 155661290 SET 2 GUNS MANAGEMENT BLOCK WITH FLUSH

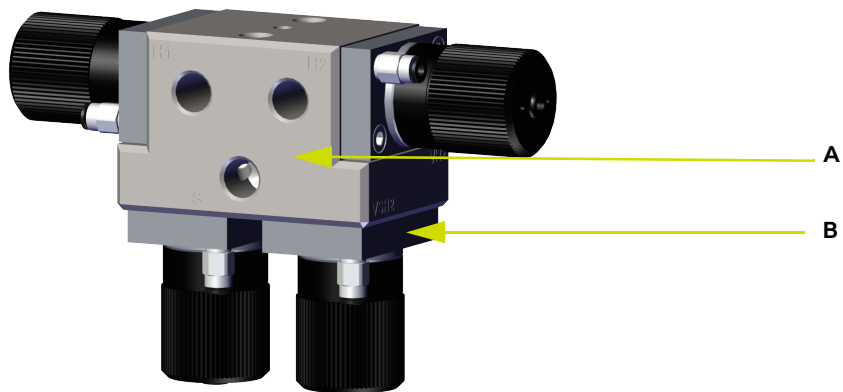


Item	Part number	Description	Qty	Sales unit	Spare parts level (*)
-	<b>155661290</b>	SET 2 GUNS MANAGEMENT BLOCK WITHOUT FLUSH	1	1	-
<b>A</b>	<b>155661101</b>	CTM SUPPORT BRACKET	1	1	-
<b>B</b>	<b>905160218</b>	SWIVEL SST 316L FLUID FITTING M1/2 JIC M1/4 G 250B (FREE NUT)	1	1	-
<b>C</b>	<b>Not sold separately</b>	CHC SCREW M10 + WASHER	2	0	-
<b>D</b>	<b>155535500</b>	FLANGE ASSEMBLY MATERIAL OUTLET	1	1	-
<b>E</b>	<b>Not sold separately</b>	QUICK EXHAUST ASSEMBLY	4	-	-
-	<b>155680085</b>	AIR NO-RETURN VALVE D4	1	1	1
-	<b>905120983</b>	ELBOW FAST FITTING MF 2.7X4	1	1	-
<b>F</b>	<b>155661295</b>	2 GUNS MANAGEMENT BLOCK WITH FLUSH	1	1	-
<b>G</b>	<b>88152</b>	STEEL SCREW CHC M 8X25	2	1	-

(\*)  
 Level 1: 1<sup>st</sup> emergency parts  
 Level 2: Wear parts



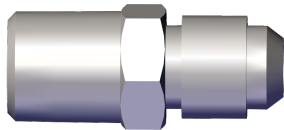

1.1.46. 155661295 2 GUNS MANAGEMENT BLOCK WITH FLUSH



Item	Part number	Description	Qty	Sales unit	Spare parts level (*)
-	<b>155661295</b>	2 GUNS MANAGEMENT BLOCK WITH FLUSH	1	1	-
A	<b>Not sold separately</b>	BLOCK 2 BARE GUN	1	1	-
B	<b>155535315</b>	AIRMIX VALVE 240B	4	1	-

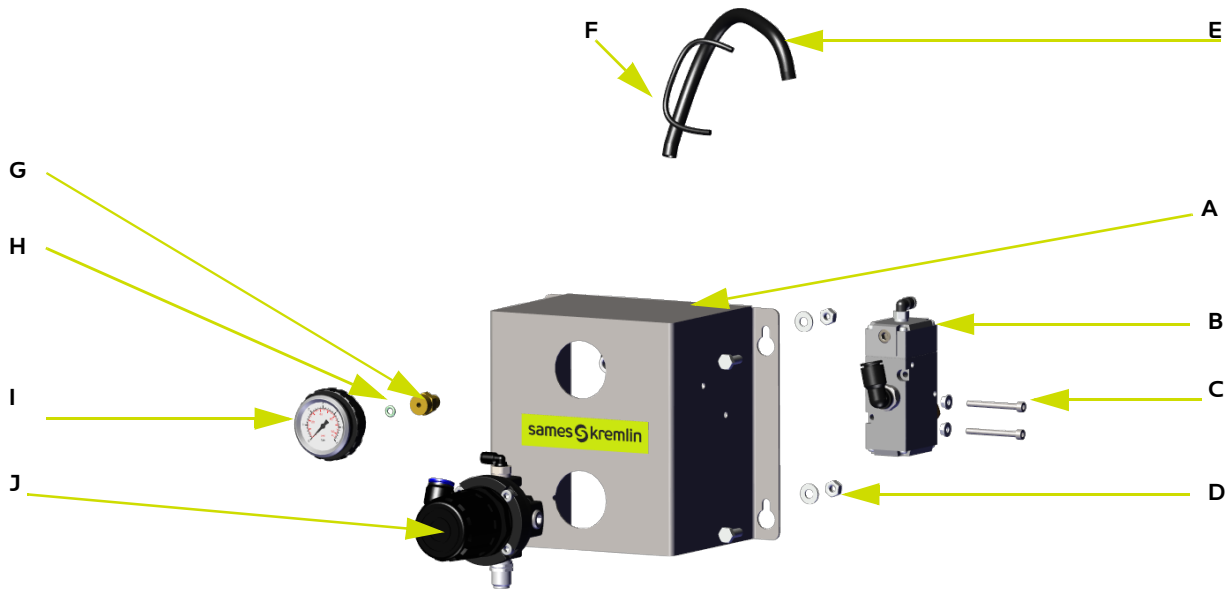
(\*)  
 Level 1: 1<sup>st</sup> emergency parts  
 Level 2: Wear parts

1.1.47. INLET / OUTLET FITTINGS

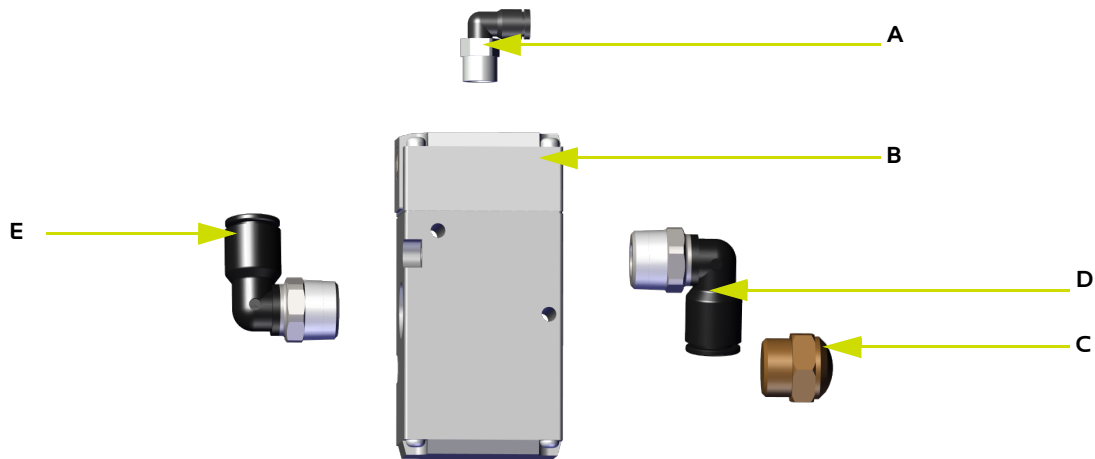
Part number	Description	Sales unit	Material	Visual
<b>000972025</b>	CONNECTOR M 1/2 JIC M 1/4 NPT	1	SS 303	
<b>050123533</b>	CONNECTOR F 1/2 JIC M 3/8NPSM	1	SS 303	
<b>906333301</b>	PLUG F 1/2 JIC	1	bichromated zinc-plated steel	
<b>905160108</b>	ELBOW FM 1/2 JICT-1/2 JIC SS 316L	1	SS 316	

(\*)  
 Level 1: 1<sup>st</sup> emergency parts  
 Level 2: Wear parts

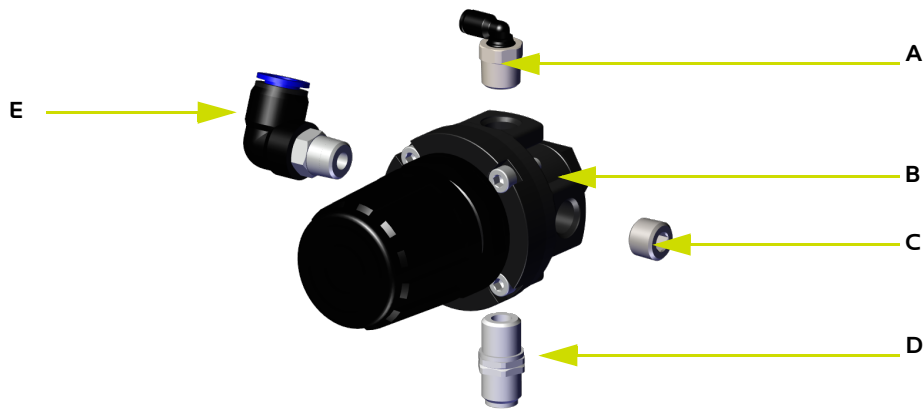
1.1.48. 155661380 SPRAYING AIR MANAGEMENT BOX FOR GUN



Item	Part number	Description	Qty	Sales unit	Spare parts level (*)
-	<b>155661380</b>	SPRAYING AIR MANAGEMENT BOX FOR GUN	1	1	-
<b>A</b>	<b>Not sold separately</b>	METAL PLATE SUPPORT	1	-	-
<b>B</b>	<b>155661381</b>	AIR DISTRIBUTOR WITH FITTING	1	1	1
<b>C</b>	<b>88117</b>	CHC SCREW STEEL M4x40	4	1	-
<b>C</b>	<b>963040012</b>	WASHER MU4	4	1	-
<b>C</b>	<b>953010012</b>	NUT HU4	4	1	-
<b>D</b>	<b>144910129</b>	PACK OF SCREWS FOR BRACKET WALL MOUNTING	1	1	-
-	<b>933011196</b>	SCREW H6X16	4	10	-
-	<b>963040016</b>	WASHER MN6	4	1	-
-	<b>Not sold separately</b>	NUT M6	4	-	-
<b>E</b>	<b>Not sold separately</b>	POYURETHANE HOSE 7x10mm	0.23	-	-
<b>F</b>	<b>Not sold separately</b>	POYURETHANE HOSE 2.5x4mm	0.15	-	-
<b>G</b>	<b>905121031</b>	ELBOW F G1/8 T 2.7X4	1	1	-
<b>H</b>	<b>909130803</b>	RN3 RING VITON 4,2X1,9	1	1	-
<b>I</b>	<b>910011205</b>	FRONT GAUGE D.40 0-6B RAC.G1/8	1	1	-
<b>J</b>	<b>Not sold separately</b>	AIR REGULATOR 5.5B EQUIPED	1	-	-



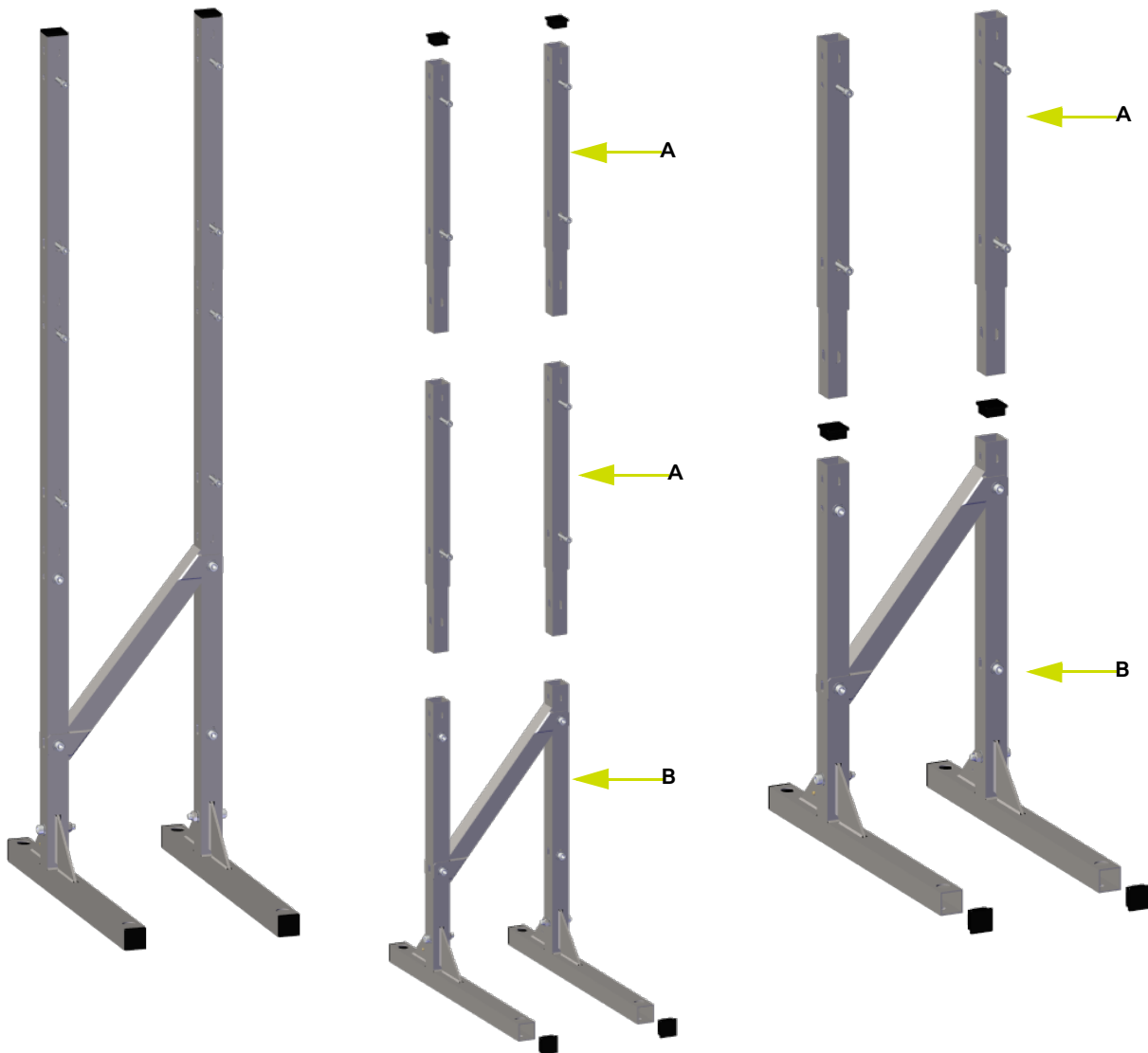
Item	Part number	Description	Qty	Sales unit	Spare parts level (*)
-	<b>155661381</b>	AIR DISTRIBUTOR WITH FITTING	1	1	1-2
A	<b>905120926</b>	ELBOW CONNECTOR M1/8 T 2X4	1	1	-
B	<b>Not sold separately</b>	AIR DISTRIBUTOR 3/2	1	-	1
C	<b>90194</b>	SILENCER	1	1	2
D	<b>905120951</b>	ELBOW FITTING 90° - 8/10	1	1	-
E	<b>905120951</b>	ELBOW FITTING 90° - 8/10	1	1	-



Item	Part number	Description	Qty	Sales unit	Spare parts level (*)
-	-	AIR REGULATOR 5.5B EQUIPED	1	1	1-2
A	<b>905120927</b>	ELBOW M 1/4 FOR 2X4 TUBE	1	1	-
B	<b>116390500</b>	AIR REGULATOR 1/4" - 5,5B BLACK KNOB FRONT	1	1	1-2
C	<b>906333102</b>	PLUG 8X13 (1/4)	1	1	-
D	<b>050102624</b>	CONNECTOR M R1/4 M1/4 NPS	1	1	-
E	<b>905270913</b>	ELBOW G.1/4 8X10	1	1	-

(\*)  
Level 1: 1<sup>st</sup> emergency parts / Level 2: Wear parts

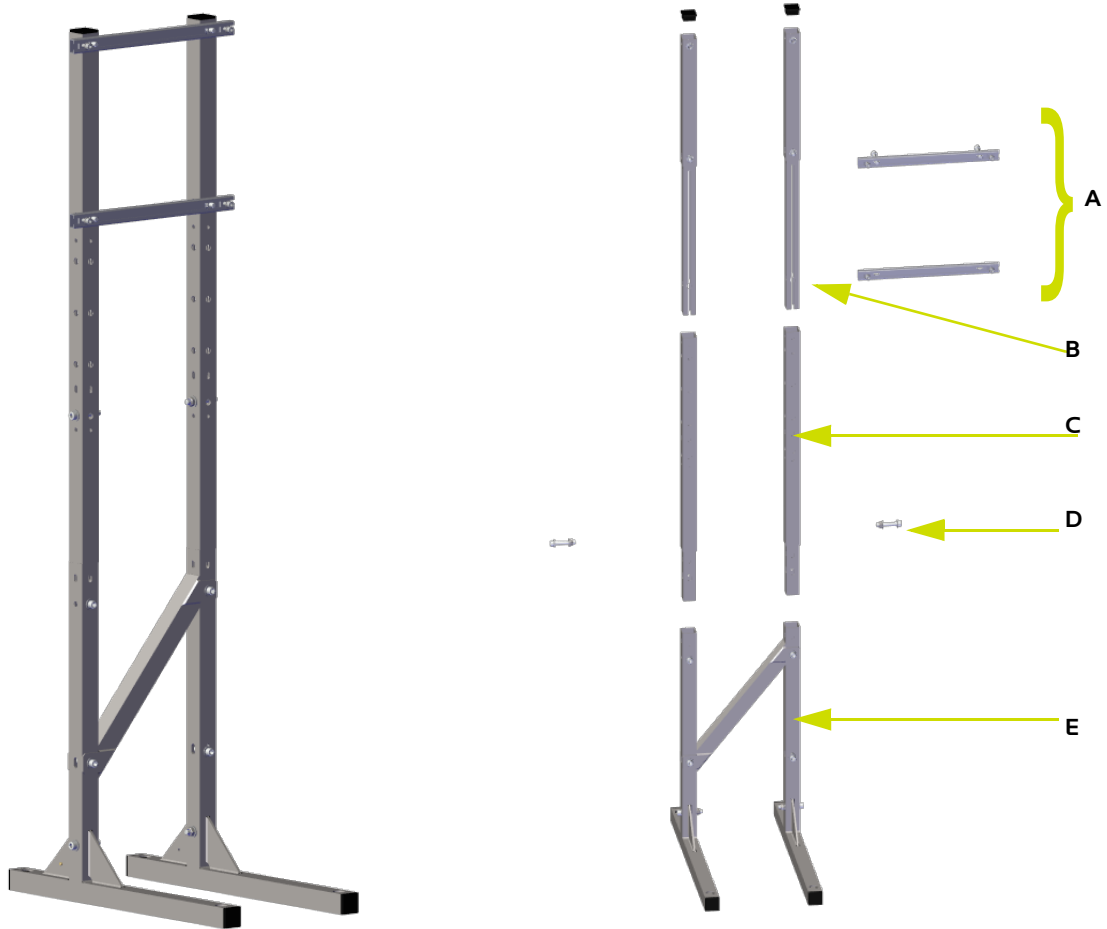
1.1.49. FLUID PANEL FRAME SUPPORT



Item	Part number	Description	Qty	Sales unit	Spare parts level (*)
-	-	FLUID PANEL FRAME SUPPORT	1	1	-
A	155661871	INTERMEDIATE EXTENSION FRAME SUPPORT FOR CYCLOMIX® EVO	2	1	-
B	155661870	FRAME SUPPORT BASE FOR CYCLOMIX® EVO	1	1	-

(\*)  
 Level 1: 1<sup>st</sup> emergency parts  
 Level 2: Wear parts

1.1.50. 155661872 CONTROL PANEL FRAME SUPPORT

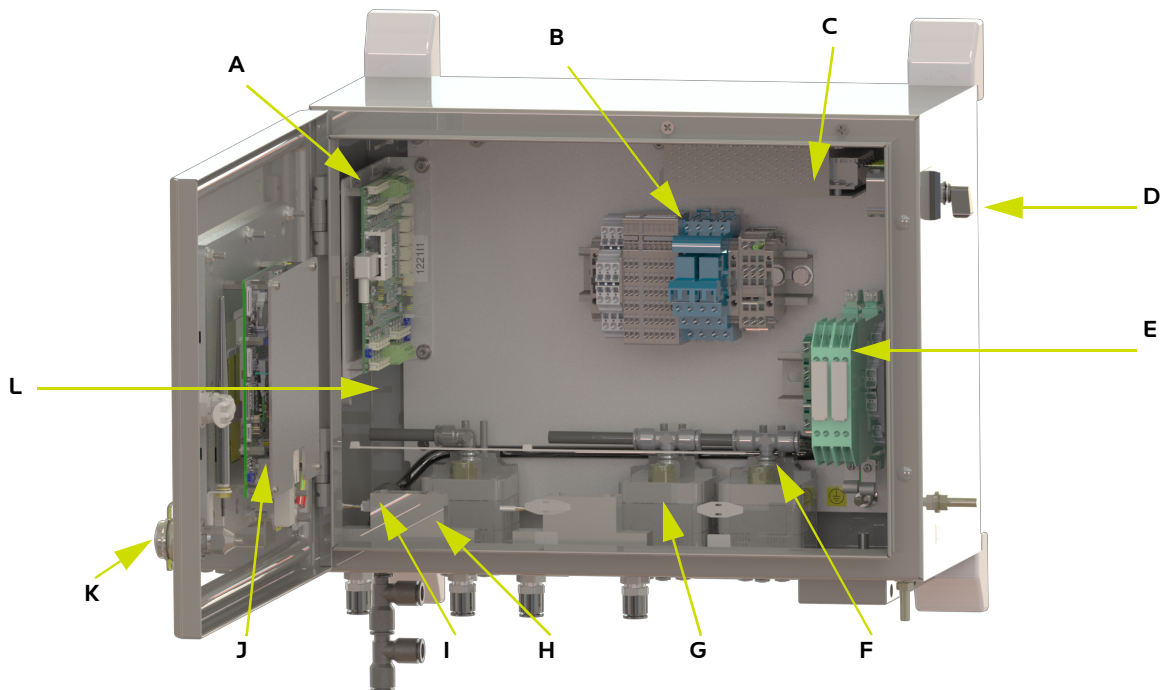


Item	Part number	Description	Qty	Sales unit	Spare parts level (*)
-	-	FLUID PANEL FRAME SUPPORT	1	1	-
A	155661874	FIXING RAIL FOR EVO CABINET	2	1	-
B	Not sold separately	ADJUSTABLE SUPPORT TUBE FOR ENCLOSURE	1	-	-
C	Not sold separately	INTERMEDIATE TUBE FOR FRAME SUPPORT	1	-	-
D	Not sold separately	SET OF SCREWS	1	-	-
	930151603	SCREW CHC M10X60	2	1	-
	Not sold separately	WASHER M10	4	-	-
	88334	NUT M10	2	1	-

(\*)  
 Level 1: 1<sup>st</sup> emergency parts  
 Level 2: Wear parts

## 1.2. SPARE PARTS - ELECTRICAL

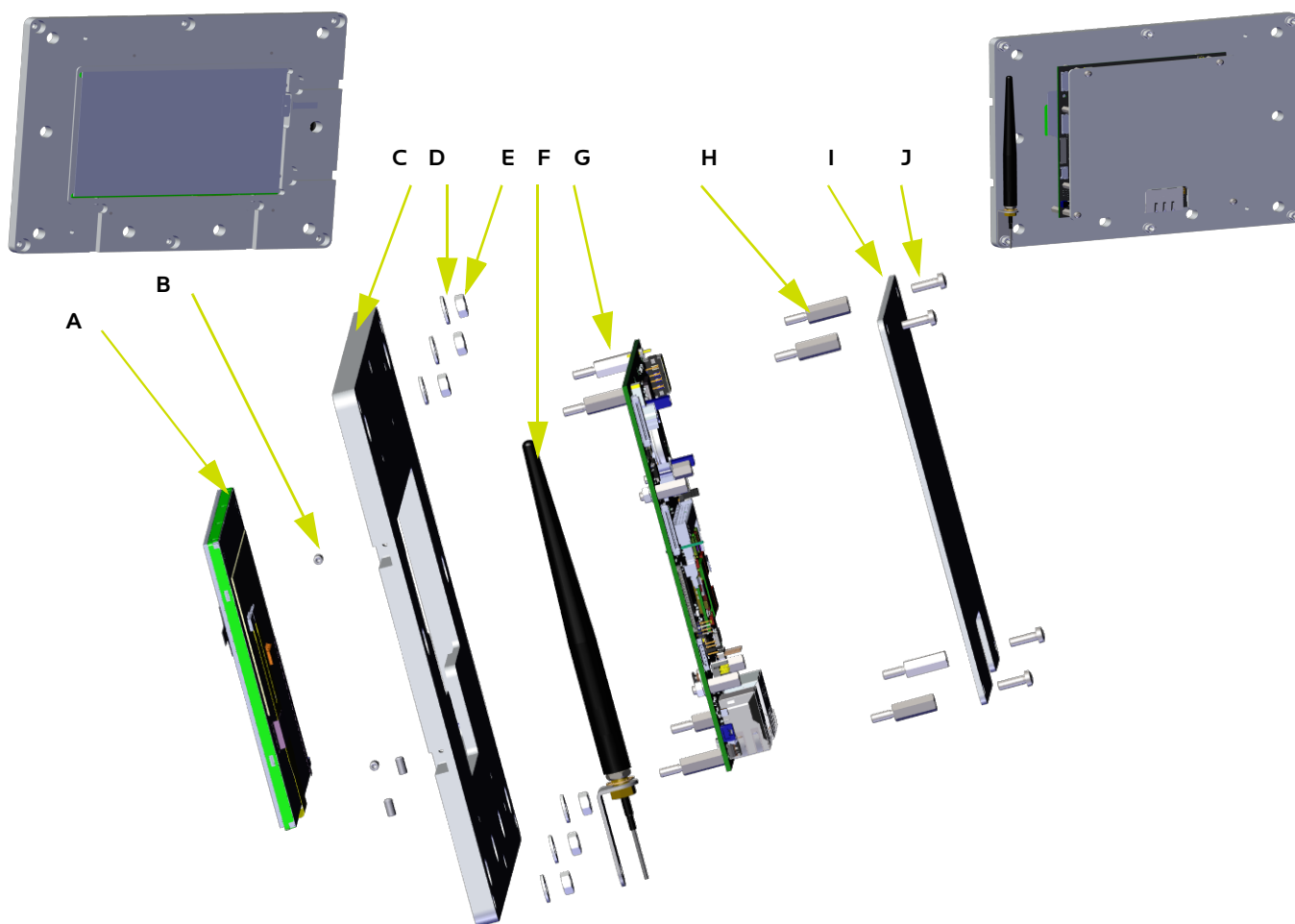
### 1.2.1. MAIN CONTROL PANEL



Item	Part number	Description	Qty	Sales unit	Spare parts level (*)
-	-	MAIN CONTROL PANEL	-	-	-
A	155661810	INPUT/OUTPUT BOARD + SUPPORT FOR CYCLOMIX® EVO	1-2	1	1
B	-	RELAY	2	1	1
C	155661828	24V POWER SUPPLY	1	1	1
D	919170602	POWER SWITCH	1	1	-
E	155661813	KIT 1 INTRINSIC BARRIER FOR CYCLOMIX® EVO	2-3	1	1
F	155661819	CABLE FOR SOLENOID BLOCK 8SV	X	1	1
G	155661808	BLOCK 8 SOLENOID VALVES WITH T FITTING	X	1	1
H	155661816	DIGITAL FLOWSWITCH D8	1-2	1	1
I	919170204	2M CABLE FOR CYCLOMIX® EVO FLOWSWITCH	1-2	1	1
J	155661824	SET SCREEN + CCB BOARD FOR CYCLOMIX® EVO MAIN CONTROL PANEL	1	1	-
K	919170205	USB PANEL MOUNT CABLE 60CM	1	1	-
L	155661823	24V SUPPLY CABLE FOR ELECTRONIC BOARDS CCB/ANAB/DIOB	2-3	1	1

(\*)  
 Level 1: 1<sup>st</sup> emergency parts  
 Level 2: Wear parts

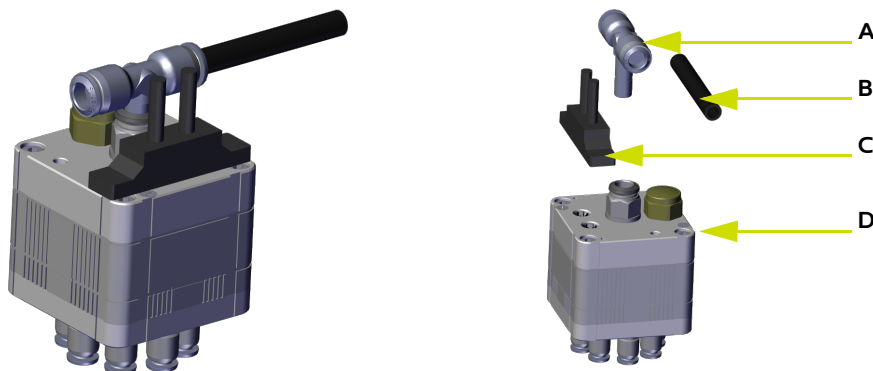
1.2.1.1. 155661824 SET SCREEN + CCB BOARD FOR CYCLOMIX® EVO MAIN CONTROL PANEL



Item	Part number	Description	Qty	Sales unit	Spare parts level (*)
-	<b>155661824</b>	SET SCREEN + CCB BOARD FOR CYCLOMIX® EVO MAIN CONTROL PANEL	1	1	1
<b>A</b>	<b>155661837</b>	EVO SCREEN + CABLE	1	1	1
<b>B</b>	<b>933171095</b>	SCREW 3X6	4	1	-
<b>C</b>	<b>Not sold separately</b>	SCREEN SUPPORT	1	-	-
<b>D</b>	<b>Not sold separately</b>	WASHER M4	6	-	-
<b>E</b>	<b>Not sold separately</b>	NUT M4	6	-	-
<b>F</b>	<b>155661838</b>	WIFI ANTENNA WITH BRACKET	1	1	-
<b>G</b>	<b>155661805</b>	CCB BOARD CYCLOMIX® EVO	1	1	1
<b>H</b>	<b>Not sold separately</b>	SPACER	8	-	-
<b>I</b>	<b>155661833</b>	PROTECTIVE PLATE SCREEN & CCB BOARD	1	1	-
<b>J</b>	<b>Not sold separately</b>	SCREW M3x10	4	-	-

(\*)  
Level 1: 1<sup>st</sup> emergency parts / Level 2: Wear parts

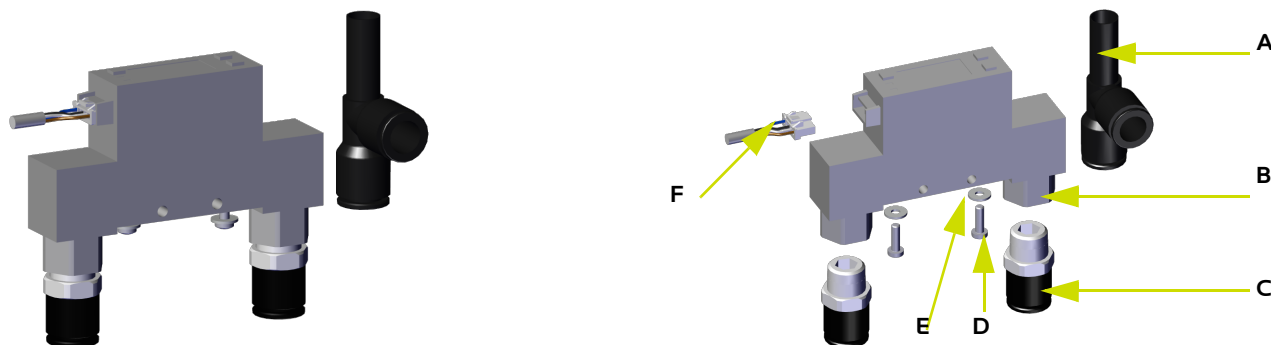
1.2.1.2. 155661808 BLOCK 8 SOLENOID VALVES WITH T FITTING



Item	Part number	Description	Qty	Sales unit	Spare parts level (*)
-	<b>155661808</b>	BLOCK 8 SOLENOID VALVES WITH T FITTING	X	1	1
A	Not sold separately	PUSH IN FITTING D8	1	-	-
B	<b>055380265</b>	PU HOSE 5 M 5.5X8 BLACK	0.55	5	-
C	<b>155661819</b>	CABLE FOR SOLENOID BLOCK 8SV	1	1	-
D	Not sold separately	BLOCK 8 SOLENOID VALVES	1	-	-

(\*)  
 Level 1: 1<sup>st</sup> emergency parts  
 Level 2: Wear parts

1.2.1.3. 155661816 DIGITAL FLOWSWITCH D8



Item	Part number	Description	Qty	Sales unit	Spare parts level (*)
-	<b>155661816</b>	FIBER OPTIC OPTION	X	1	1
A	Not sold separately	FIBER OPTIC CABLE 12.5M FOP50/60	1	-	-
B	Not sold separately	FIBER OPTIC CABLE 12.5M FOP50/60	0.55	-	-
C	Not sold separately	FIBER OPTIC CABLE 12.5M FOP50/60	1	-	-
D	Not sold separately	FIBER OPTIC CABLE 12.5M FOP50/60	2	-	-
E	Not sold separately	FIBER OPTICS RECEIVER OPTV02 FOR CYCLOMIX® EVO	2	-	-

(\*)  
 Level 1: 1<sup>st</sup> emergency parts



**Level 2: Wear parts**

1.2.1.4. FIBER OPTIC OPTION



Item	Part number	Description	Qty	Sales unit	Spare parts level (*)
-	-	FIBER OPTIC OPTION	-	-	-
A	924060001	FIBER OPTIC CABLE 12.5M FOP50/60	1	1	1
B	910060105	FIBER OPTICS RECEIVER OPTV02 FOR CYCLOMIX® EVO	1	1	-

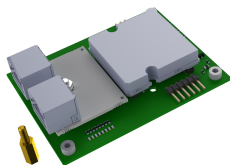
(\*)  
**Level 1: 1<sup>st</sup> emergency parts**  
**Level 2: Wear parts**

1.2.1.5. ELECTRICAL CABLES

Item	Part number	Description	Sales unit	Spare parts level (*)
Injection valve	155661630	CABLE FOR DISTRIBUTOR - 5M	-	-
	155661631	CABLE FOR DISTRIBUTOR - 10M	1	1
	155661632	CABLE FOR DISTRIBUTOR - 15M	-	-
	155661633	CABLE FOR DISTRIBUTOR - 20M	1	-
Gearflowmeter	155661610	CABLE FOR KEM SENSOR + CONNECTOR - 5M	-	-
	155661611	CABLE FOR KEM SENSOR + CONNECTOR - 10M	-	-
	155661612	CABLE FOR KEM SENSOR + CONNECTOR - 15M	1	-
	155661613	CABLE FOR KEM SENSOR + CONNECTOR - 20M	-	-
Massflowmeter	155661620	MASS FLOW METER CABLE - 5M	1	-
	155661621	MASS FLOW METER CABLE - 10M	-	-
	155661622	MASS FLOW METER CABLE - 15M		
	155661623	MASS FLOW METER CABLE - 20M		
Pressure sensor	155661605	SENSOR CABLE M12 4P - 20M		

(\*)  
**Level 1: 1<sup>st</sup> emergency parts**  
**Level 2: Wear parts**

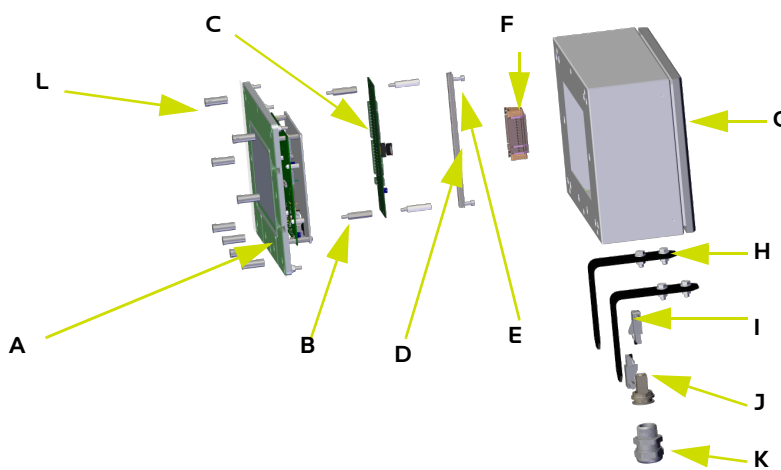
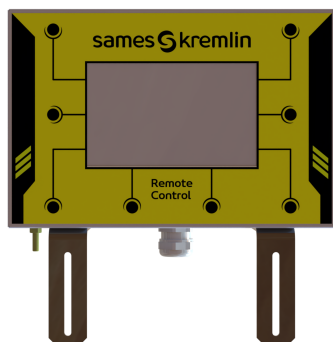
1.2.1.6. COMMUNICATION BOARDS



Part number	Description
155661845	COMMUNICATION BOARD HMSB/ETHERNET
155661846	COMMUNICATION BOARD HMSB/MODBUS
155661847	COMMUNICATION BOARD HMSB/PROFINET
155661848	COMMUNICATION BOARD HMSB/CC-LINK

(\*) Level 1: 1<sup>st</sup> emergency parts / Level 2: Wear parts

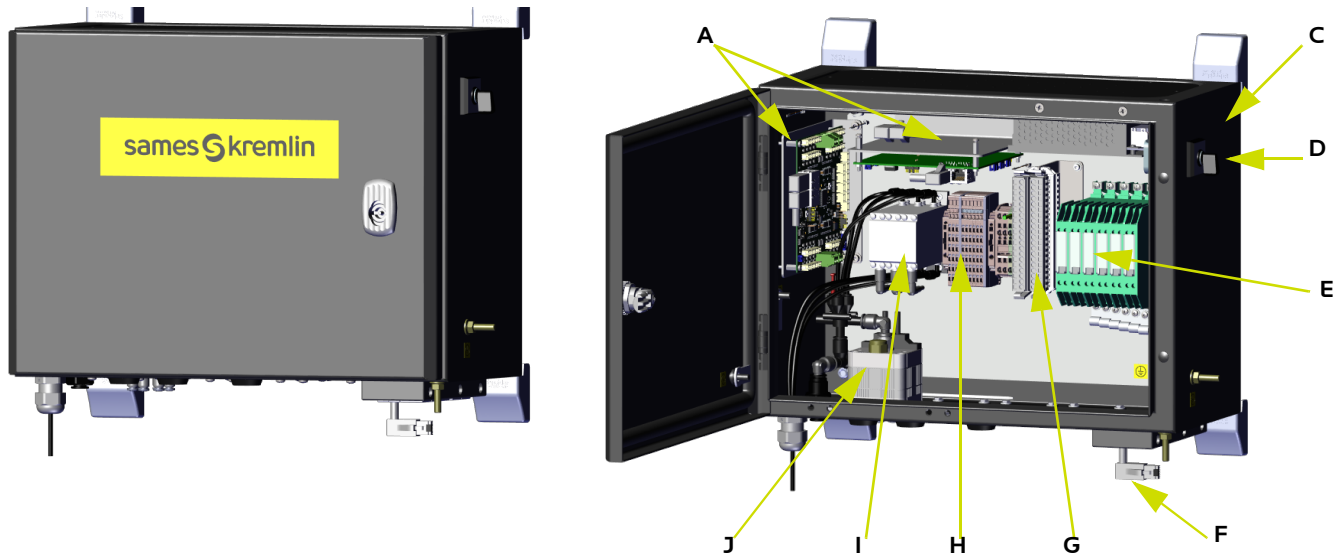
1.2.2. 155661880 REMOTE CONTROL PANEL



Item	Part number	Description	Qty	Sales unit	Spare parts level (*)
-	-	REMOTE CONTROL PANEL	-	1	-
A	155661810	SET SCREEN + CCB BOARD FOR CYCLOMIX® EVO MAIN CONTROL PANEL	1	1	1
B	155661765	SPACER M4 30MM	4	-	-
C	155661828	NIOB BOARD	1	1	1
D	Not sold separately	SYMMETRICAL RAIL 170MM	1	-	-
E	919170602	CHC SCREW STEEL M4x10	2	1	-
F	155661813	DIN Rail TERMINAL BLOCKS	1	-	-
G	155661769	ENCLOSURE 200 X 300 X 120 MM	1	-	-
H	155661773	SET OF 2 MOUNTING BRACKETS	1	1	-
I	Not sold separately	ETHERNET CABLE 0.5M	1	-	-
J	155661762	RJ45 CONNECTOR	1	1	-
K	155661808	CABLE GLAND	1	-	-
L	155661808	SENSOR AND MAGNET ASSEMBLY	8	1	1

(\*) Level 1: 1<sup>st</sup> emergency parts/Level 2: Wear parts

1.2.3. EVOPLUS - ADDITIONAL BOX



Item	Part number	Description	Qty	Sales unit	Spare parts level (*)
-	-	EVOPLUS - ADDITIONNAL BOX	-	-	-
A	155661810	INPUT/OUTPUT BOARD + SUPPORT FOR CYCLOMIX® EVO	X	1	1
	155661765	ANALOG BOAR +SUPPORT FOR CYCLOMIX® EVO	X	1	1
B	155661828	24V POWER SUPPLY	1	1	-
C	Not sold separately	ENCLOSURE 400 X 300 x 200MM	1	-	-
D	919170602	POWER SWITCH	1	1	-
E	155661813	ANALOG INTRINSEC BARRIER	X	1	1
F	155661769	ETHERNET CABLE 5M	1	1	-
G	155661773	COMMUNICATION OPTION TERMINAL BLOCKS	X	1	-
H	Not sold separately	TERMINAL BLOCKS ASSEMBLY	1	-	-
I	155661762	PROPORTIONNAL VALVES ASSEMBLY	X	1	1
J	155661808	BLOCK 8 SOLENOID VALVES WITH T FITTING	X	1	1

(\*)  
 Level 1: 1<sup>st</sup> emergency parts  
 Level 2: Wear parts

## 2. History of revision indexes

Created by:		Verified by	Approved by:
Date	By:	Index	Purpose of the modification and location
08/09/2023	E.DUMONT	A	Creation of the document
08/31/2023	E.DUMONT	B	Document update

For almost a century, **Sames** has provided services and equipment for the application of liquid and powder paints, adhesives and sealants to bond, protect and beautify all types of surfaces.

We design, produce and market complete solutions - manual guns, automatic and robotic applicators, pumps and dosing machines...

We offer solutions at the cutting edge of technological innovation, serving industrial efficiency for the most challenging customers, and environmentally friendly.

**Sames** bonds, protects and beautifies all materials.

More than a supplier, **Sames** is the partner of your performance.

**We *Simply Apply the Most Efficient Solutions.***

Enjoy being the best *together*



Headquarter: 13, Chemin de Malacher - CS70086 - 38243 Meylan Cedex - France  
☎ +33 (0)4 76 41 60 60 - [www:sames.com](http://www:sames.com)