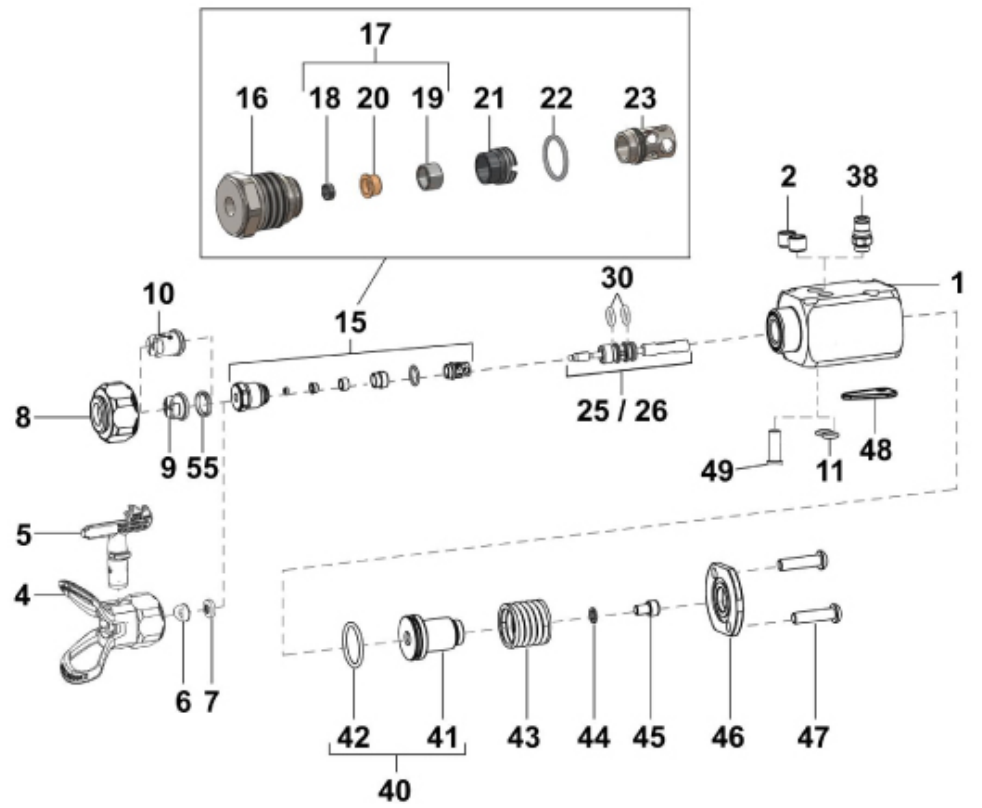
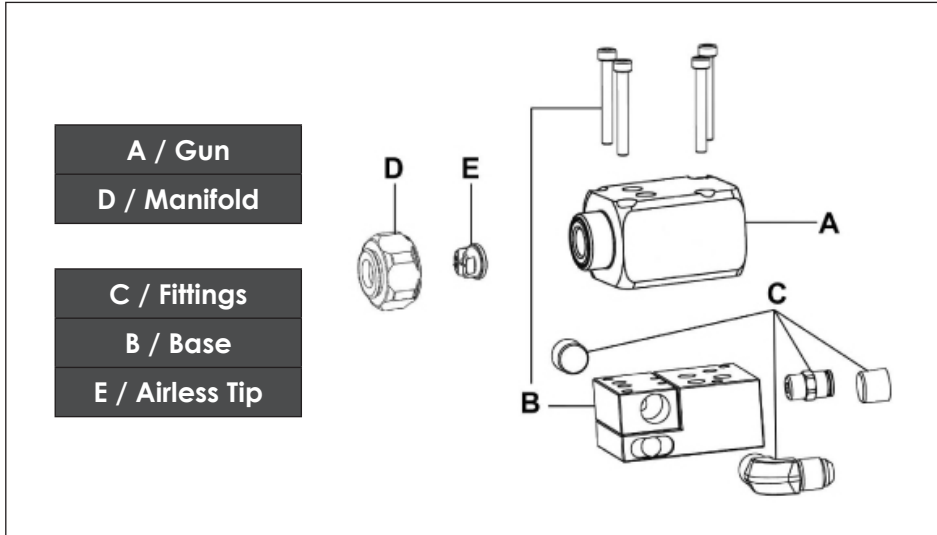


ASB AIRLESS® GUN

SPARE PARTS BREAKDOWN



A / GUN - STAINLESS STEEL	
Airless automatic spray gun, model ASB 240 with flat manifold, without tip, with PTFE cartridge	129.990.200
Airless automatic spray gun, model ASB 240 with flat manifold, without tip, with GT cartridge	129.990.300
Airless automatic spray gun, model ASB 240 with manifold for reversing tip, without tip, with PTFE cartridge	129.990.400
Airless automatic spray gun, model ASB 240 with manifold for reversing tip, without tip, with GT cartridge	129.990.500

GT CARTRIDGE NEEDLE			
No.	Part Number	Description	S/P Level
*25	129.990.040	GT cartridge needle assembly	1
*30	129.990.063	Seal PTFE (x10)	1
*52	129.990.034	Tool	1

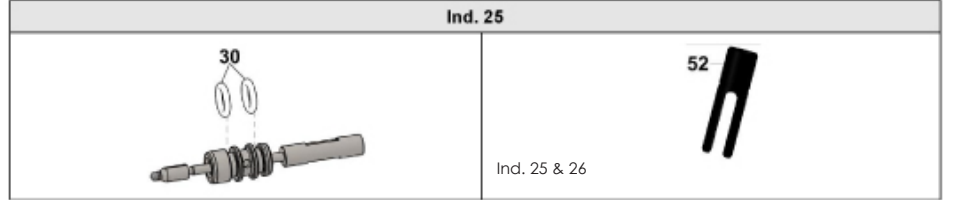
PTFE CARTRIDGE NEEDLE			
No.	Part Number	Description	S/P Level
*26	129.990.050	PTFE cartridge needle assembly	1
*30	129.990.063	Seal PTFE (x10)	1
*52	129.990.034	Tool	1

KITS			
No.	Part Number	Description	S/P Level
*	129.990.060	Package of seals (ind. 11 (x2), 22, 42, 44, 48)	1
*	129.990.061	Servicing kit - screws (ind. 45, 47 (x2))	1
*	129.990.066	Servicing kit - screws for base (ind. 63 (x4))	1

FLAT TIP CHART															
Calibre / Size / Größe	Ø, mm	Débit d'eau / Water output / Wasserdurchsatz / Caudal agua (l / mn)	Diaphragme buse / Tip diaphragm / Vorzerstäuber / Restrictor boquilla	Largeur de jet à 25 cm / Spray fan width at 25 cm (10") / Strahlbreite bei 25 cm Abstand / Ancho abanico à 25 cm											
				9	12	17	21	25	29	33	37	44	56		
		Pression / Pressure / Druck / Presión 140 bar / 2030 psi		Nombre gravé sur la buse / Number engraved on the tip / Eingravierte Kennzahl auf der Düse / índice gravado sobre la boquilla											
03	04			06	09	12	15	18	20	25	30	40	45	68	
03	0,18	0,23	12	03.03	03.05	03.07									
04	0,23	0,31	12	04.03	04.05	04.07	04.09	04.11	04.13						
06	0,28	0,46	12	06.03	06.05	06.07	06.09	06.11	06.13	06.15					
09	0,33	0,63	15	09.03	09.05	09.07	09.09	09.11	09.13	09.15	09.17				
12	0,38	0,86	15			12.07	12.09	12.11	12.13	12.15	12.17				
14	0,41	1,01	18	14.03	14.05	14.07	14.09	14.11	14.13	14.15	14.17	14.19			
18	0,46	1,34	18				18.09	18.11	18.13	18.15	18.17	18.19			
20	0,51	1,50	20		20.05	20.07	20.09	20.11	20.13	20.15	20.17	20.19			
25	0,56	1,88	20				25.11	25.13	25.15	25.17	25.19				
30	0,61	2,25	25			30.07	30.09	30.11	30.13	30.15	30.17	30.19			
40	0,66	3,25	25				40.11	40.13	40.15	40.17	40.19				
45	0,74	3,34	60			45.07		45.13	45.15	45.17	45.19	45.21			
68	0,91	5,60	60				68.11	68.13	68.15	68.17	68.19				

SKILL™ TIP CHART												
Calibre / Size / Größe	Ø, mm	Débit d'eau / Water output / Wasserdurchsatz / Caudal agua (l / mn)		Largeur de jet à 25 cm / Spray fan width at 25 cm (10") / Strahlbreite bei 25 cm Abstand / Ancho abanico à 25 cm								
				9	12	17	21	25	29	33	37	
		Pression / Pressure / Druck / Presión 138 bar / 2000 psi		Nombre gravé sur la buse / Number engraved on the tip / Eingravierte Kennzahl auf der Düse / índice gravado sobre la boquilla								
03	04			06	07	09	12	14	18	21	25	
03	0,18	0,25		03.07	03.09	03.11	03.13					
04	0,23	0,33		04.07	04.09	04.11	04.13					
06	0,28	0,49		06.07	06.09	06.11	06.13	06.15				
07	0,30	0,60	07.05	07.07	07.09	07.11	07.13	07.15				
09	0,33	0,69		09.07	09.09	09.11	09.13	09.15	09.17			
12	0,38	0,91					12.13	12.15	12.17			
14	0,41	1,17					14.13	14.15	14.17	14.19		
18	0,46	1,47					18.13	18.15	18.17	18.19		

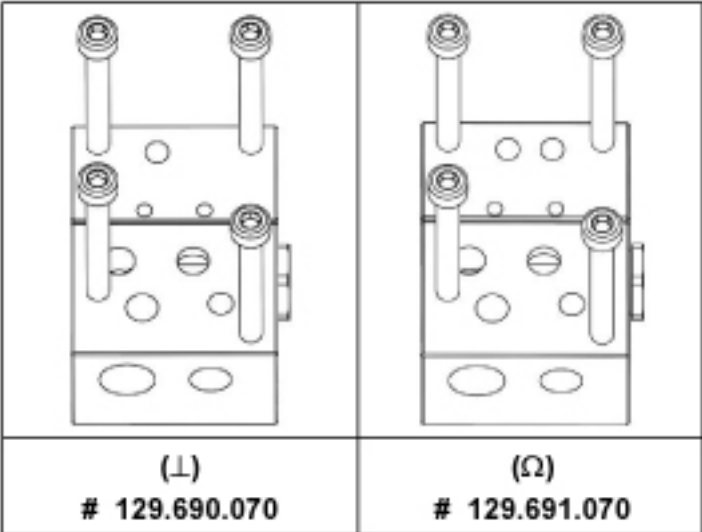
COMMON PARTS			
No.	Part Number	Description	S/P Level
1	029.990.021	Gun body	1
2	129.990.029	Plug, model G 1/8 (x2)	2
*11	150.040.328	Seal (x10)	1
*15	129.740.040	Seat holder assembly	1
16	NC / NS	Seat holder	1
*17	129.740.908	Seat with PEEK seal (x2)	1
18	NC / NS	Helicoils (x2)	1
19	NC / NS	Seat carbide (x2)	1
20	NC / NS	PEEK seal (x2)	1
21	029.600.106	Screw for seat	1
*22	150.040.341	O-ring (x10)	1
*23	129.740.045	Cartridge stop (x5)	1
*40	129.990.035	Piston assembly	1
41	NC / NS	Piston	1
42	129.990.065	Piston seal (x10)	1
43	150.316.501	Piston spring	1
*44	NC / NS	Seal	1
45	88 127	Screw, model CHc M 5x8	1
46	029.990.027	Cover	1
47	934.081.332	Screw, model CHc M 6x25	2
*48	NC / NS	Seal	1
*49	129.990.031	Plug (x4)	1
55	150.041.319	Seal for flat tip (x5)	1



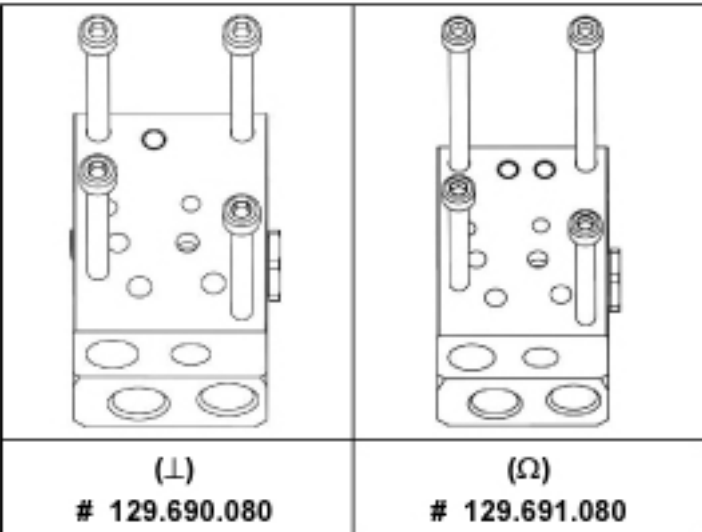
REVERSIBLE TIP CHART									
Largeur de jet / Fan width / Strahlbreite / Ancho abanico	Angle / Winkel / Abanico	Débit eau / Water flow rate / Wasserdurchsatz / Caudal agua (l/mn) / 70 bar / 1.015 psi							Débit eau / Water flow rate / Wasserdurchsatz / Caudal agua (l/mn) / 138 bar / 2.2002 psi
		12 / 16 cm	17 / 21 cm	22 / 24.5 cm	25 / 29 cm	29 / 33 cm	33 / 37 cm	38 / 44 cm	
Calibre / Size / Größe	Ø (pouce")	Nombre gravé sur la buse / Number engraved on the tip / Eingravierte Kennzahl auf der Düse / índice gravado sobre la boquilla							
		2XX XX-07	3XX XX-09	4XX XX-11	5XX XX-13	6XX XX-15	7XX XX-17	8XX XX-19	
0.22 l/mn	0.009 04	209 04-07	309 04-09	409 04-11	509 04-13				0.33 l/mn
0.33 l/mn	0.011 06	211 06-07	311 06-09	411 06-11	511 06-13	611 06-15			0.49 l/mn
0.45 l/mn	0.013 09	213 09-07	313 09-09	413 09-11	513 09-13	613 09-15	713 09-17		0.69 l/mn
0.60 l/mn	0.015 12	215 12-07	315 12-09	415 12-11	515 12-13	615 12-15	715 12-17		0.91 l/mn
0.72 l/mn	0.017 14	217 14-07	317 14-09	417 14-11	517 14-13	617 14-15	717 14-17	817 14-19	1.17 l/mn
0.95 l/mn	0.019 18	219 18-07	319 18-09	419 18-11	519 18-13	619 18-15	719 18-17	819 18-19	1.47 l/mn
1.33 l/mn	0.021 25			421 25-11	521 25-13	621 25-15	721 25-17	821 25-19	1.79 l/mn
1.6 l/mn	0.023 30			423 30-11	523 30-13	623 30-15	723 30-17	823 30-19	2.15 l/mn
2.175 l/mn	0.025 40			425 40-11	525 40-13	625 40-15	725 40-17	825 40-19	2.54 l/mn
2.38 l/m	0.029 45		329 45-09	429 45-11	529 45-13	629 45-15	729 45-17	829 45-19	3.42 l/mn
3.78 l/mn	0.033 68			433 68-11	533 68-13	633 68-15	733 68-17	833 68-19	4.42 l/mn
5.11 l/mn	0.036 100				539 100-13	639 100-15	739 100-17	839 100-19	5.42 l/mn

B / BASES (Stainless Steel Insert)

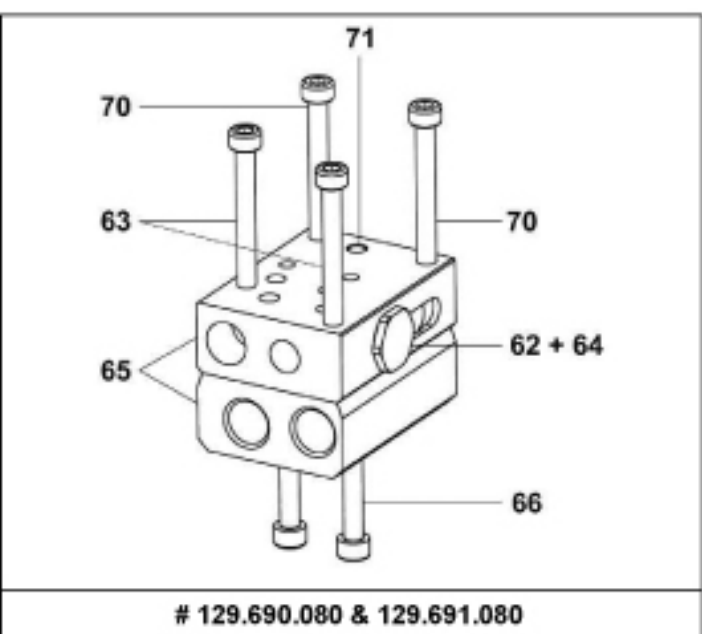
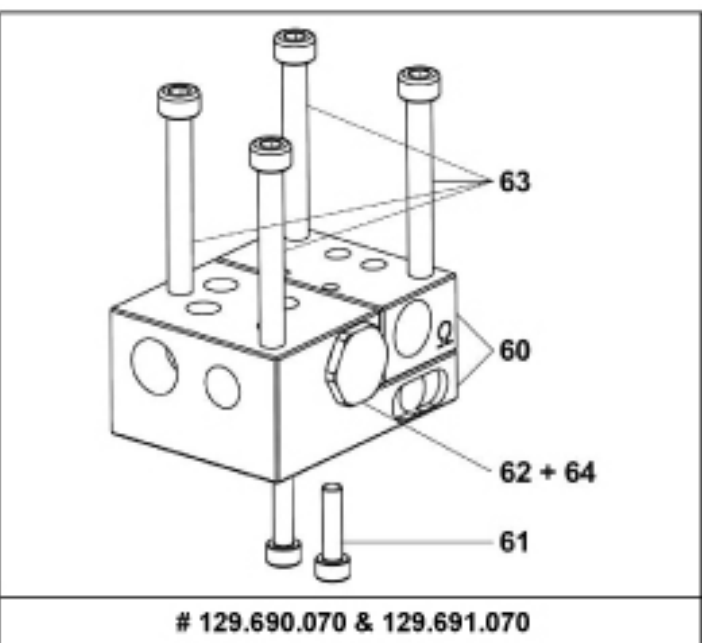
LATERAL FLUID CONNECTIONS



BACK FLUID CONNECTIONS



(L) CIRCULATION IN THE BASE | (Ω) CIRCULATION IN THE GUN



FOR BASE: 129.690.070 & 129.691.070

No.	Part Number	Description	S/P Level
60	NC / NS	Base + insert	1
61	933.151.219	Screw, model CHc M 4x16	2
62	050.261.103	Plug	1
63	88.126	Screw, model CHc M 5x40	4
64	129.529.907	Seal (x10)	1

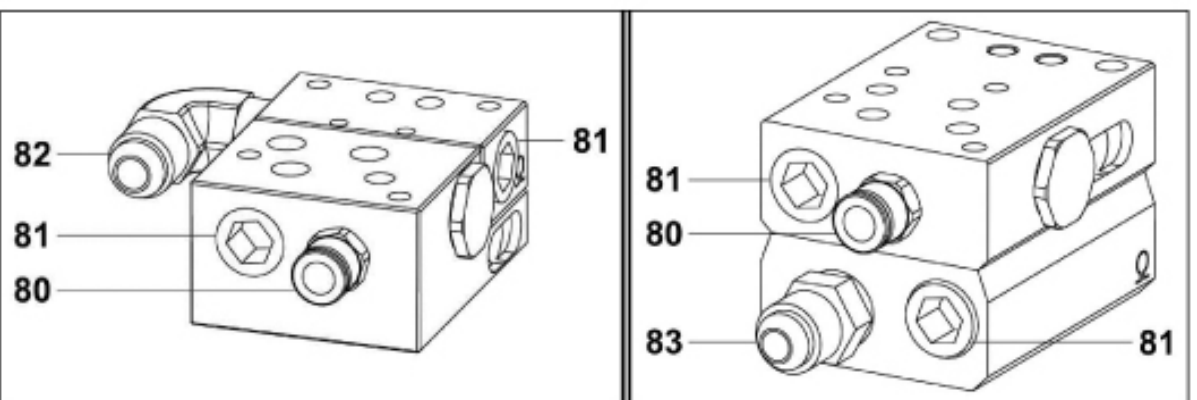
FOR BASE: 129.690.080 & 129.691.080

No.	Part Number	Description	S/P Level
62	050.261.103	Plug	1
64	129.529.907	Seal (pack of 10)	1
65	NC / NS	Base + insert	1
66	88.124	Screw, model CHc M 5x25	2
63	88.126	Screw, model CHc M 5x40	2
70	930.151.596	Screw, model CHc M 5x60	2
*71	150.040.328	Seal (x10)	-

*Ind. 71: Qty 1 (For base 129.690.080) | Qty 2 (For base 129.691.080)

C / FITTINGS

No.	Part Number	Description	S/P Level
80	905.124.901	Fitting, quick release (control) M1/8 BSP-T 4x6	1
81	905.210.303	Plug, fluid, stainless steel, 1/4 NPT	1
82	905.210.602	Elbow fitting, stainless steel, double male, 1/4 NPT - 1/2 JIC (#5 JIC)	2
83	905.210.502	Straight fitting, stainless steel, double male, 1/4 NPT - 1/2 JIC (#5 JIC)	2



OPTIONS

No.	Part Number	Description	S/P Level
*38	129.990.062	Fitting, 1/8 G-T 4x6mm	1



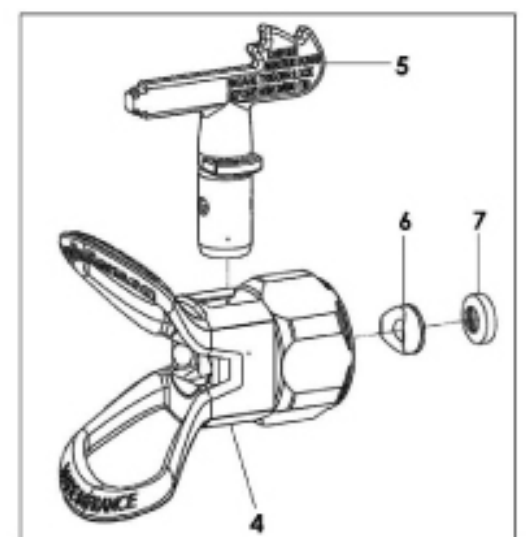
TOOLS

No.	Part Number	Description	S/P Level
50	921.080.301	Allen key size 4mm	1
51	906.300.101	Large size brush	1



ACCESSORIES

No.	Part Number	Description	S/P Level
4	132.740.200	Airless manifold for reversing Tip Top (refer to Doc. 573.148.080)	1
5-7	000.40X.XXX	Reversing Airless Tip Top + seat + seal tip	1
*7	134.740.007	Reversing seal tip (x10)	1
*	129.740.907	Service kit - seat + seal tip (ind. 6 (x4), 7 (x4))	



Sames

North America Headquarters 45001 5 Mile Road, Plymouth, MI 48170 | Toll: (800)573-5554 | Tel: (734)979-0100 | Fax: (734)927-0064

Canada Branch 931 Progress Avenue, Unit 7, Scarborough, ON M1G 3V5 | Toll: (800)450-0655 | Tel: (416)431-5017 | Fax: (416)431-9171