

**Pumps | Shovel Pumps**



**SH930 HV Shovel**

SH930: Shovel Pump Size 930cc

part number:

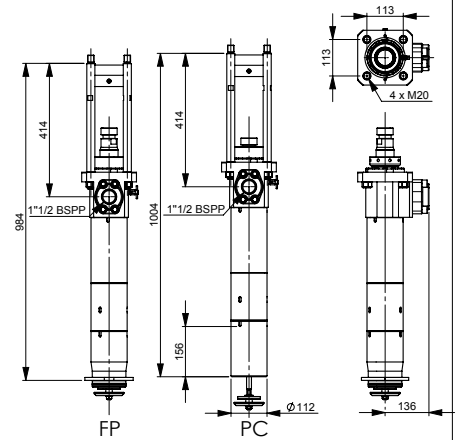
**REX | SH | 0930 | - | MO | - | MA | - | FO | - | SE**

example: REXSH0930-9H-SS-FP-06

High Viscosity Hybrid Shovel Pump with an upper ball check valve used in sealer system requiring high flow rates to deliver material to multiple dispensing solutions. The pumping solution offers a large footprint and its stainless-steel construction with carbide seat work with unique materials.

**Technical Data**

Fluid volume per cycle	933	cc	31.54	oz
Stroke	205	mm	8.07	inch
Maximum service pressure	360	bar	5200	psi
Weight	100	kg	220,5	Lbs
Fluid outlet	1 " 1/2	F BSPP		



**Air Motor**



Available Motors	Pressure Ratio	Maximum Air Inlet Pressure		Maximum Outlet Fluid Pressure		Minimum Outlet Fluid Pressure		Motopump Weight		Air consumption 15 Stroke/min @ 4 bar NL.min-1	Air inlet fitting scfm	Air inlet fitting Female BSP	
		su	bar	psi	bar	psi	bar	psi	Kg				Lbs
NONE	-	-	-	-	-	-	-	-	-	-	-	-	
<b>9H</b>	MOTOR 2 x 9200	60 : 1	6	100	360	5200	90	1305	165	363,8	3358	118,6	3 / 4 "

scfm= Standard cubic feet of gas per minute

**Pump Construction**



Available Materials	Pump body			Piston				lower valve			Foot		
	Wet Cup	Upper body	Cylinder	rod	Nut	Valve Cone	Valve Seat	Body	Cone	Seat	Rod	Shovel	Inlet tube
Stainless Steel	SST	SST	SST+Cr	SST+Cr	SST	CB	SST	SST	SST	SST	SST	SST	SST

CS: Carbon Steel - SST: Stainless Steel - CB: Carbide - Zn: Zinc treatment - Cr: Chromium treatment

**Foot and Mounting Styles**



Available Configurations	Technical characteristic	Materials	
		1: Mixed materials	2: Stainless steel
-	Wall mounted	-	Not available
<b>FP</b>	Follower Plate	Ø105 mm	Available
-	Drum Bung mounted	60 Liters Drum	Not available
-	Drum Bung mounted	200 Liters Drum	Not available
<b>PC</b>	Plain cylinder	Ø112 mm	Available

**Seal Pack Options**



Available Seals Packing	Static seals "O"-rings	Upper seals packing	Piston seals packing	Lower Valve seals packing
PU	FKM	PU and PE	PE and PTFEG	PE and PTFEV

PTFE=Polytetrafluoroethylene (Teflon like properties)  
 PTFEG=PTFE + Graphite (impregnated)  
 PE=Polyethylene (UHMWPE)  
 FKM=Fluoroelastomer (Viton like properties)  
 PU=Polyurethane  
 PTFEV=PTFE + Glass (impregnated)  
 FEP=Encapsulated O-Ring (Teflon like properties over Viton or Silicone)