

# Bond | Protect | Beautify

With our manual guns, automatic and robotic applicators, supplied by our wide range of pumps & machines for fluid handling, dosing, mixing & dispensing.

**SAMES KREMLIN** provides industrial solutions for production increase, quality improvement, material & cost savings.

We are designers and manufacturers of process equipment that is divided into 6 ranges:

**Airspray:** Since 1925, we have been an Airspray manufacturer bringing you the very best in finishing.

**Airmix®:** Creator of Airmix® Technology since 1975, we provide the perfect mix between quality and productivity.

**Airless:** We provide premium Airless Products for finishers with demanding applications.

**REXSON Dispense:** Pumping beyond possible, dispensing precisely.

**Electrostatic liquid:** expertise for high finishing quality & efficiency.

**Powder:** Powder coating solutions for the highest Productivity since 1960.

FIND YOUR  
LOCAL CONTACT  
BY FLASHCODE:



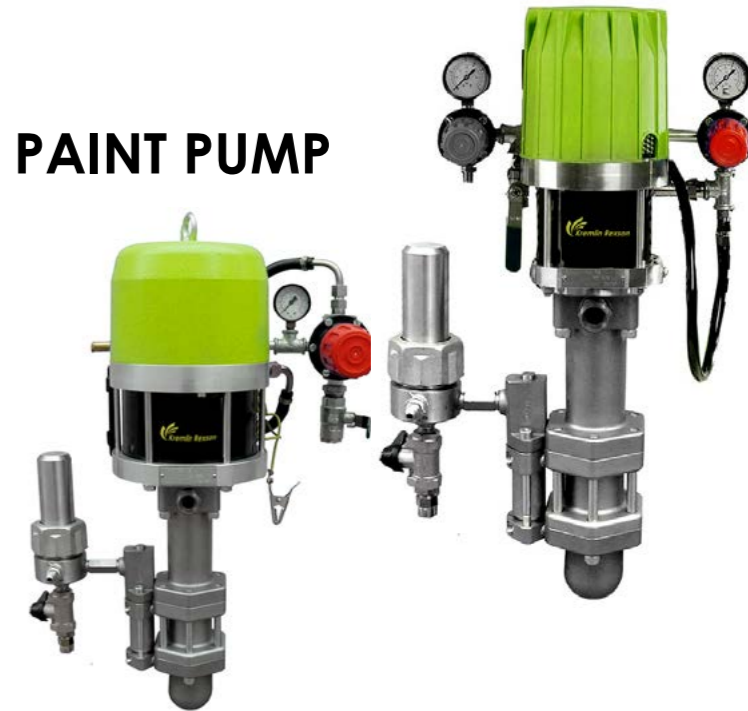
[www.sames-kremlin.com](http://www.sames-kremlin.com)



Apply your Skills



## AIRMIX® 17F60 & AIRLESS 34F60 FLOWMAX® PAINT PUMP



- Unique bellow technology
- 15 years of experience
- Extended lifetime

### Related Technologies



FLOWMAX®  
feeding



GT Sealing



2 Ball



Triple  
chrome  
layer

Apply your Skills

[www.sames-kremlin.com](http://www.sames-kremlin.com)

# AIRMIX® 17F60

# & AIRLESS 34F60

# FLOWMAX®



## TECHNICAL DATA

	AIRMIX® 17F60 Flowmax®	AIRLESS 34F60 Flowmax®
Pressure ratio	17/1	34/1
Output per cycle (cc)		60
Maximum material pressure (bar)	100	200
Material flow at 30 cycles/min (L/min)		1.8
Max working temperature (°C)		60
Working pressure air in (bar)		2 to 6
Material outlet		3/8"
Valve air inlet	3/8" BSP	3/4" BSP
Fluid inlet siphon hose fitting		26 x125

## FLOWMAX® TECHNOLOGY

Recognized as a major innovation in fluid handling since 1925, the AIRMIX® 17F60 and AIRLESS 34F60 FLOWMAX® pumps bring the possibility to pump the widest range of materials on the market including moisture sensitive or waterbone based materials.

With its unsurpassed quality bellows, the AIRMIX® 17F60 and AIRLESS 34F60 FLOWMAX® pumps ensure total sealing, performance, an extended lifetime and reliability.

The unique design with external valves allows very easy maintenance.

Creator of the FLOWMAX® bellow technology 15 years ago, SAMES KREMLIN has always proved its ability to stay innovative.

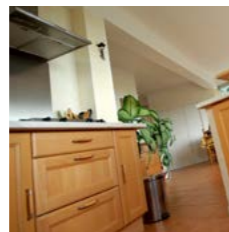
## MATERIAL HANDLED

Water-based and solvent-based materials, varnishes, stains, 2K materials and moisture sensitive.

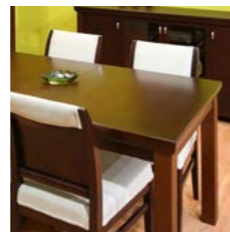
## RECOMMENDED MARKETS



CONSTRUCTION EQUIPMENT



KITCHEN AND BATHROOM



FURNITURE



ROLLING EQUIPMENT

## CUSTOMER BENEFITS

Increased lifetime ←

No lubrication ←

High reliability ←

Superlife™ bellow seal ←

### STAINLESS STEEL WETTED PART

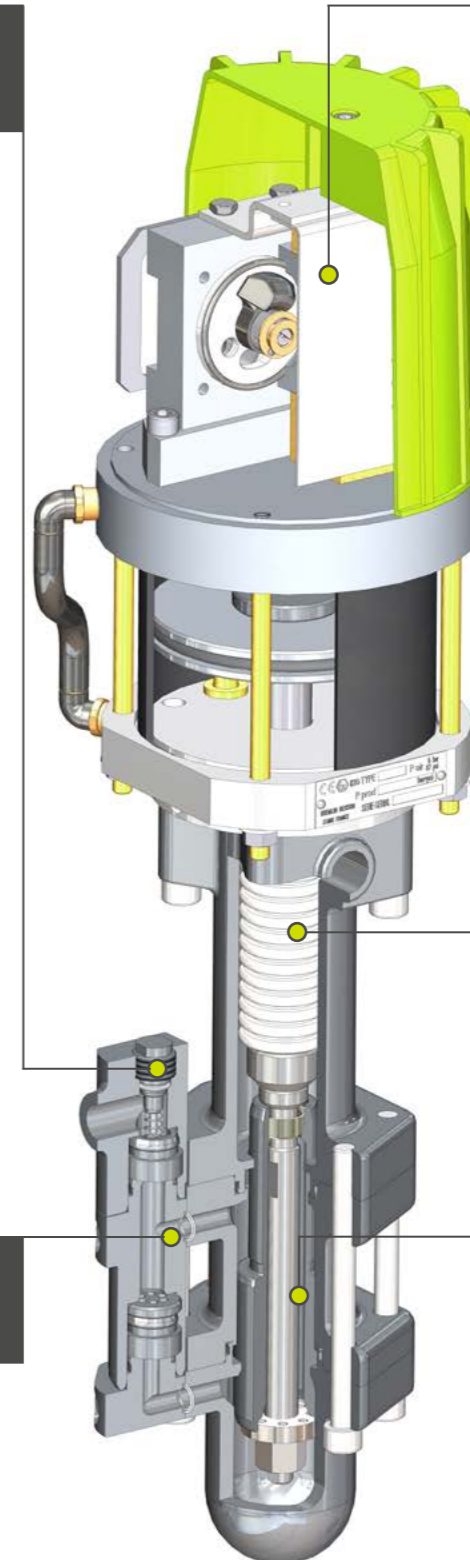
Compatible with widest range of material (paints, varnishes and liquid adhesives)

### VERY QUIET AIR MOTOR

With the ultimate ceramic reversing block increasing air motor lifetime

### BELLOW PROVEN

- Leak free technology
- No lubricating cup
- Maintenance free
- Ideal for catalyst and moisture sensitive material.



### EXTERNAL VALVE ASSEMBLY

- Easy maintenance
- Easy access for a fast servicing

### FLOATING PISTON

- Reducing material shear and increasing seal lifetime
- Balance output on both stroke ideal for automatic application

**SAMES KREMLIN**

www.sames-kremlin.com