

Pumps | 2 Ball Pumps



2B227 HV Ball

2B227: 2 Ball Pump Size 227cc

part number:

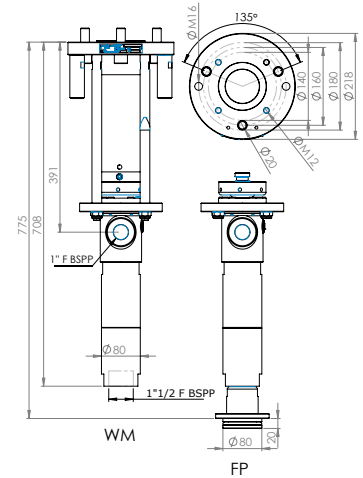
REX	2B	0227	-	MO	-	MA	-	FO	-	SE
------------	-----------	-------------	---	-----------	---	-----------	---	-----------	---	-----------

example: REX2B0227-70-CS-FP-02

High Viscosity 2 Ball Pump is for high pressure, up to 480 bar, applications requiring low to medium flow rates. The pumping solution offers a medium to large footprint and its construction material and seal pack have many options working with all materials, and unique materials like waterborne sound deadener and zinc-based products.

Technical Data

Fluid volume per cycle	227	cc	7,68	oz
Stroke	120	mm	4,72	inch
Maximum service pressure	480	bar	7000	psi
Weight	25	kg	55,1	Lbs
Fluid outlet	1"	F BSPP		



Air Motor



Available Motors	Pressure Ratio	Maximum Air Inlet Pressure		Maximum Outlet Fluid Pressure		Minimum Outlet Fluid Pressure		Motopump Weight		Air consumption 15 Stroke/min @ 4 bar	Air inlet fitting		
		su	bar	psi	bar	psi	bar	psi	Kg			Lbs	
NONE	-	-	-	-	-	-	-	-	-	-	-		
60	MOTOR 6000	29 : 1	6	100	170	2500	44	631	46,0	101,4	395	13,9	3 / 4 "
70	MOTOR 7000	52 : 1	6	100	310	4500	78	1131	51	112,5	708	25,0	3 / 4 "
90	MOTOR 9000	80 : 1	6	100	480	7000	120	1740	60	132,3	1090	38,5	3 / 4 "

scfm= Standard cubic feet of gas per minute

Pump Construction



Available Materials	Pump body			Piston				lower valve			Foot tube	
	Wet Cup	Upper body	Cylinder	rod	Valve Body	Valve Ball	Valve Seat	Body	Ball	Seat		
CS	Mixed materials	CS+Zn	SST	CS+Cr	CS+Cr	SST	SST	CB	CS	SST	SST	CS
SS	Stainless steel	CS+Zn	SST	CS+Cr	CS+Cr	SST	SST	CB	SST	SST	SST	-
SC	Stainless steel + CB	CS+Zn	SST	CS+Cr	CS+Cr	SST	SST	CB	SST	SST	CB	-
XS	Reinforced Chromium + Full CB	CS+Zn	SST	CS+Cr	CS+Cr	SST	SST	CB	CS	SST	CB	CS

CS: Carbon Steel - SST: Stainless Steel - CB: Carbide - Zn: Zinc treatment - Cr: Chromium treatment

Foot and Mounting Styles



Available Configurations	Technical characteristic	Materials				
		Mixed materials	Stainless steel	Stainless steel + Carbide	Reinforced Chromium + Full CB	
WM	Wall mounted	Inlet F 1 1/2	Available	Available	Not available	Not available
FP	Follower Plate	Ø80 mm	Available	Available	Available	Available
-	Drum Bung mounted	60 Liters Drum	Not available	Not available	Not available	Not available
-	Drum Bung mounted	200 Liters Drum	Not available	Not available	Not available	Not available

Seal Pack Options



Available Seals Packing	Static seals "O"-rings	Upper seals packing	Piston seals packing
01	PTFE	FKM	PTFE
02	PTFE + FEP	FEP	PTFE
03	PE	FKM	PTFE and PE
04	Leather	FKM	Leather and PE
05	PTFEG	FKM	PTFEG
06	PU	FKM	PU and PE
07	PTFEG/PE + FEP (special)	FEP	PTFEG and PE

PTFE=Polytetrafluoroethylene (Teflon like properties)
 PTFEG=PTFE + Graphite (impregnated)
 PE=Polyethylene (UHMWPE)
 FKM=Flouroelastomer (Viton like properties)
 PU=Polyurethane
 PTFEV=PTFE + Glass (impregnated)
 FEP=Encapsulated O-Ring (Teflon like properties over Viton or Silicone)