

Pumps | Shovel Pumps



SH60 HV Shovel

SH60: Shovel Pump Size 60cc

part number:

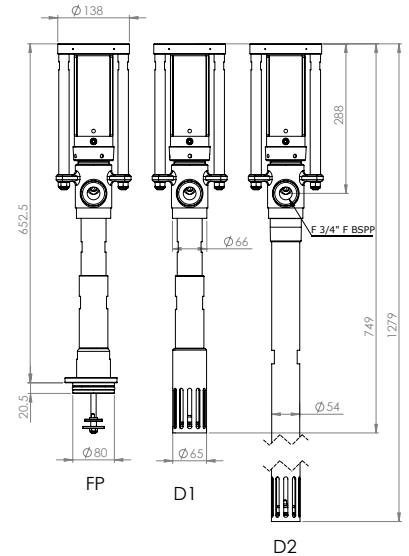
REX	SH	0060	-	MO	-	MA	-	FO	-	SE
------------	-----------	-------------	---	-----------	---	-----------	---	-----------	---	-----------

example: REXSH0060-15-CS-WM-03

High Viscosity Shovel Pump used for airless and extrusion applications requiring low flow rates. The pumping solution offers a small footprint and its construction with several seal pack options work for all non-abrasive materials.

Technical Data

Fluid volume per cycle	60	cc	2.03	oz
Stroke	120	mm	4.72	inch
Maximum service pressure	360	bar	5200	psi
Weight	8	kg	17,6	Lbs
Fluid outlet	3 / 4 "	F BSPP		



Air Motor



	Available Motors	Pressure Ratio			Maximum Air Inlet Pressure		Maximum Outlet Fluid Pressure		Minimum Outlet Fluid Pressure		Motopump Weight		Air consumption	Air inlet fitting
		su	bar	psi	bar	psi	bar	psi	Kg	Lbs	15 Stroke/min @ 4 bar	scfm	Female BSP	
XX	NONE	-	-	-	-	-	-	-	-	-	-	-	-	-
15	MOTOR 1500	31 : 1	6	100	190	2700	26	370	13,5	29,8	113	4,0	1 / 2 "	
30	MOTOR 3000	62 : 1	6	100	370	5400	51	740	15,2	33,5	222	7,8	1 / 2 "	

scfm= Standard cubic feet of gas per minute

Pump Construction



	Available Materials	Pump body			Piston				lower valve			Foot		
		Wet Cup	Upper body	Cylinder	rod	Nut	Valve Cone	Valve Seat	Body	Cone	Seat	Rod	Shovel	Inlet tube
CS	Mixed materials	SST	SST	SST+Cr	SST+Cr	CS	CS	CS	CS	CS	CS	SST+Cr	SST	CS
SS	Stainless steel	SST	SST	SST+Cr	SST+Cr	SST	SST	SST	SST	SST	SST	SST+Cr	SST	SST

CS: Carbon Steel - SST: Stainless Steel - CB: Carbide - Zn: Zinc treatment - Cr: Chromium treatment

Foot and Mounting Styles



	Available Configurations	Technical characteristic	Materials	
			1: Mixed materials	2: Stainless steel
WM	Wall mounted	-	Not available	Not available
FP	Follower Plate	Ø80 mm	Available	Available
D1	Drum Bung mounted	60 Liters Drum	Available	Not available
D2	Drum Bung mounted	200 Liters Drum	Available	Not available

Seal Pack Options



	Available Seals Packing	Static seals "O"-rings	Upper seals packing	Piston seals packing	Lower Valve seals packing
01	PTFE	FKM	PTFE	PTFE	PTFE
02	PTFE + FEP	FEP	PTFE	PTFE	PTFE
03	PE	FKM	PTFE and PE	PTFE and PE	PTFE
04	Leather	FKM	Leather and PE	Leather and PE	PTFE
05	PTFEG	FKM	PTFEG	PTFEG	PTFE
06	PU	FKM	PU and PE	PTFEG	PTFE

PTFE=Polytetrafluoroethylene (Teflon like properties)
 PTFEG=PTFE + Graphite (impregnated)
 PE=Polyethylene (UHMWPE)
 FKM=Fluoroelastomer (Viton like properties)
 PU=Polyurethane
 PTFEV=PTFE + Glass (impregnated)
 FEP=Encapsulated O-Ring (Teflon like properties over Viton or Silicone)