

**Pumps | 2 Ball Pumps**



**2B225 HV Ball**

2B225: 2 Ball Pump Size 225cc

part number:

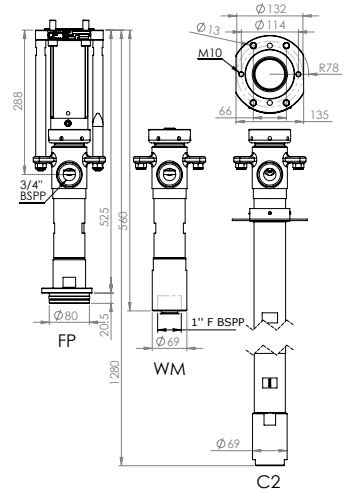
<b>REX</b>	<b>2B</b>	<b>0225</b>	<b>-</b>	<b>MO</b>	<b>-</b>	<b>MA</b>	<b>-</b>	<b>FO</b>	<b>-</b>	<b>SE</b>
------------	-----------	-------------	----------	-----------	----------	-----------	----------	-----------	----------	-----------

example: REX2B0225-15-SS-FP-03

High Viscosity 2 Ball Pump used for airless and extrusion applications requiring low to medium flow rates. The pumping solution offers a small to mid-size footprint, many mounting possibilities, and its stainless-steel construction works for all non-abrasive materials with several seal pack options available.

**Technical Data**

Fluid volume per cycle	225	cc	7,61	oz
Stroke	120	mm	4,72	inch
Maximum service pressure	180	bar	2600	psi
Weight	25	kg	55,1	Lbs
Fluid outlet	3 / 4 "	F BSPP		



**Air Motor**



Available Motors	Pressure Ratio	Maximum Air Inlet Pressure			Maximum Outlet Fluid Pressure		Minimum Outlet Fluid Pressure		Motopump Weight		Air consumption 15 Stroke/min @ 4 bar	Air inlet fitting	
		su	bar	psi	bar	psi	bar	psi	Kg	Lbs			
NONE	-	-	-	-	-	-	-	-	-	-	-	-	
<b>10</b>	MOTOR 1000	4 : 1	6	100	24	300	6	87	30,5	67,3	54	1,9	1 / 2 "
<b>15</b>	MOTOR 1500	8 : 1	6	100	50	700	13	182	30,5	67,3	113	4,0	1 / 2 "
<b>30</b>	MOTOR 3000	16 : 1	6	100	100	1400	24	348	32,2	71,0	216	7,6	1 / 2 "
<b>50</b>	MOTOR 5000	30 : 1	6	100	180	2600	45	653	46,0	101,4	405	14,3	3 / 4 "

scfm= Standard cubic feet of gas per minute

**Pump Construction**



Available Materials	Pump body			Piston				lower valve			Foot tube
	Wet Cup	Upper body	Cylinder	rod	Valve Body	Valve Ball	Valve Seat	Body	Ball	Seat	
Stainless steel	CS+Zn	SST	SST+Cr	SST+Cr	SST	SST	CB	SST	SST	SST	SST

CS: Carbon Steel - SST: Stainless Steel - CB: Carbide - Zn: Zinc treatment - Cr: Chromium treatment

**Foot and Mounting Styles**



Available Configurations	Technical characteristic	Materials		
		1: Mixed materials	2: Stainless steel	
<b>WM</b>	Wall mounted	Inlet F 1"	Not available	Available
<b>FP</b>	Follower Plate	Ø80 mm	Not available	Available
-	Drum Bung mounted	60 Liters Drum	Not available	Not available
-	Drum Bung mounted	200 Liters Drum	Not available	Not available
<b>C2</b>	Drum Cover	200 Liters Cover	Not available	Available

**Seal Pack Options**



Available Seals Packing	Static seals "O"-rings	Upper seals packing	Piston seals packing
<b>01</b>	PTFE	FKM	PTFE
<b>02</b>	PTFE + FEP	FEP	PTFE
<b>03</b>	PE	FKM	PTFE and PE
<b>04</b>	Leather	FKM	Leather and PE
<b>05</b>	PTFEG	FKM	PTFEG
<b>06</b>	PU	FKM	PU and PE
<b>07</b>	PTFEG/PE + FEP (special)	FEP	PTFEG and PE

PTFE=Polytetrafluoroethylene (Teflon like properties)  
 PTFEG=PTFE + Graphite (impregnated)  
 PE=Polyethylene (UHMWPE)  
 FKM=Fluoroelastomer (Viton like properties)  
 PU=Polyurethane  
 PTFEV=PTFE + Glass (impregnated)  
 FEP=Encapsulated O-Ring (Teflon like properties over Viton or Silicone)