

Pumps | 2 Ball Pumps



2B750 HV Ball

2B750: 2 Ball Pump Size 750cc

part number:

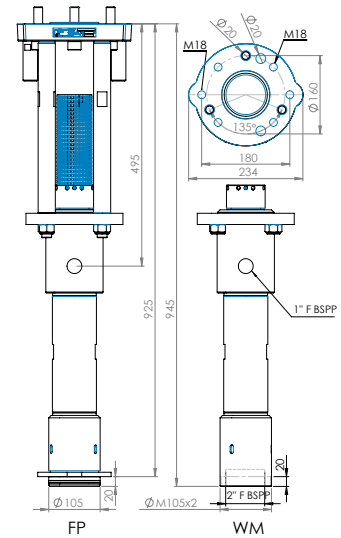
REX	2B	0750	-	MO	-	MA	-	FO	-	SE
------------	-----------	-------------	----------	-----------	----------	-----------	----------	-----------	----------	-----------

example: REX2B0750-72-CS-FP-05

High Viscosity 2 Ball Pump used for sealing applications requiring high flow rates. The pumping solution offers a large footprint, and its construction and seal pack work for solvent based sealers.

Technical Data

Fluid volume per cycle	750	cc	25.36	oz
Stroke	200	mm	7.87	inch
Maximum service pressure	380	bar	5500	psi
Weight	46	kg	101,4	Lbs
Fluid outlet	1" F BSPP	F BSPP		



Air Motor



Available Motors	Pressure Ratio	Maximum Air Inlet Pressure		Maximum Outlet Fluid Pressure		Minimum Outlet Fluid Pressure		Motopump Weight		Air consumption 15 Stroke/min @ 4 bar	Air inlet fitting		
	su	bar	psi	bar	psi	bar	psi	Kg	Lbs	NL.min-1		scfm	Female BSP
NONE	-	-	-	-	-	-	-	-	-	-	-	-	
72	MOTOR 7200	25 : 1	6	100	150	2200	38	544	74	163,2	1125	39,7	3 / 4 "
92	MOTOR 9200	40 : 1	6	100	240	3500	60	870	83	183	1800	63,6	3 / 4 "

scfm= Standard cubic feet of gas per minute

Pump Construction



Available Materials	Pump body			Piston				lower valve			Foot tube
	Wet Cup	Upper body	Cylinder	rod	Valve Body	Valve Ball	Valve Seat	Body	Ball	Seat	
Mixed materials	CS	CS	CS + Cr	SST + Cr	CS	CS	CS	CS + Zn	CS	CS	CS

CS: Carbon Steel - SST: Stainless Steel - CB: Carbide - Zn: Zinc treatment - Cr: Chromium treatment

Foot and Mounting Styles



Available Configurations	Technical characteristic	Materials		
		Mixed materials	Stainless steel	
WM	Wall mounted	M105x2 / F2"BSPP	Available	Not available
FP	Follower Plate	Ø105 mm	Available	Not available
-	Drum Bung mounted	60 Liters Drum	Not available	Not available
-	Drum Bung mounted	200 Liters Drum	Not available	Not available

Seal Pack Options



Available Seals Packing	Static seals "O"-rings	Upper seals packing	Piston seals packing
05	PTFEG	FEP	PTFEG
06	PU	FKM	PU

PTFE=Polytetrafluoroethylene (Teflon like properties)
 PTFEG=PTFE + Graphite (impregnated)
 PE=Polyethene (UHMWPE)
 FKM=Flourelastomer (Viton like properties)
 PU=Polyurethane
 PTFEV=PTFE + Glass (impregnated)
 FEP=Encapsulated O-Ring (Teflon like properties over Viton or Silicone)

XX

72

92

CS

WM

FP

-

-

05

06