

Pumps | 2 Ball Pumps



2B980 HV Ball

2B980: 2 Ball Pump Size 980cc

part number:

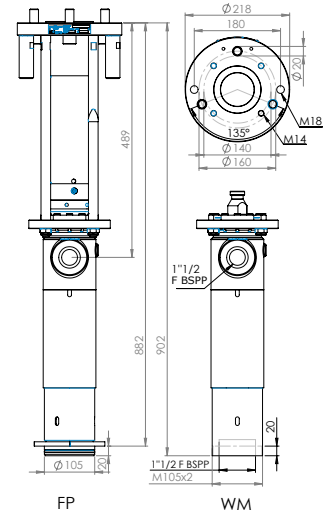
REX | 2B | 0980 | - | MO | - | MA | - | FO | - | SE

example: REX2B0980-72-SC-FP-03

High Viscosity 2 Ball Pump used for suppling airless and extrusion application systems requiring high flow rates. This is the longer version of 2B588 offers a large footprint, and its construction and seal pack options allow the pump to work with all materials.

Technical Data

Fluid volume per cycle	980	cc	33,14	oz
Stroke	200	mm	7,87	inch
Maximum service pressure	180	bar	2600	psi
Weight	70	kg	154,4	Lbs
Fluid outlet	1" 1/2	F BSPP		



Air Motor



Available Motors	Pressure Ratio	Maximum Air Inlet Pressure		Maximum Outlet Fluid Pressure		Minimum Outlet Fluid Pressure		Motopump Weight		Air consumption 15 Stroke/min @ 4 bar	Air inlet fitting		
		su	bar	psi	bar	psi	bar	psi	Kg			Lbs	
NONE	-	-	-	-	-	-	-	-	-	-	-		
72	MOTOR 7200	18 : 1	6	100	110	1600	27	392	98	216,1	1058	37,4	3 / 4 "
92	MOTOR 9200	30 : 1	6	100	180	2600	45	653	107	235,9	1764	62,3	3 / 4 "

scfm= Standard cubic feet of gas per minute

Pump Construction



Available Materials	Pump body			Piston				lower valve		
	Wet Cup	Upper body	Cylinder	rod	Valve Body	Valve Ball	Valve Seat	Body	Ball	Seat
Mixed materials	CS+Zn	SST	CS+Cr	SST+Cr	CS	CS	CS	CS	CS	CS
SS	Stainless steel	CS+Zn	SST	SST+Cr	SST+Cr	SST	SST	SST	SST	SST
SC	Mixed materials + CB valves	CS+Zn	SST	CS+Cr	SST+Cr	SST	CB	SST	CS	CB

CS: Carbon Steel - SST: Stainless Steel - CB: Carbide - Zn: Zinc treatment - Cr: Chromium treatment

Foot and Mounting Styles



Available Configurations	Technical characteristic	Materials			
		1: Mixed materials	2: Stainless Steel	3: Mixed materials + CB valves	
WM	Wall mounted	M105x2 / F2" BSPP	Available	Available	Not available
FP	Follower Plate	Ø105 mm	Available	Available	Available
-	Drum Bung mounted	60 Liters Drum	Not available	Not available	Not available
-	Drum Bung mounted	200 Liters Drum	Not available	Not available	Not available

Seal Pack Options



Available Seals Packing	Static seals "O"-rings	Upper seals packing	Piston seals packing
01	PTFE	FKM	PTFE
02	PTFE + FEP	FEP	PTFE
03	PE	FKM	PTFE and PE
04	Leather	FKM	Leather and PE
05	PTFEG	FKM	PTFEG
06	PU	FKM	PU and PE
07	PTFEV	FKM	PU and PE

PTFE=Polytetrafluoroethylene (Teflon like properties)
 PTFEG=PTFE + Graphite (impregnated)
 PE=Polyethene (UHMWPE)
 FKM=Flouoraelastomer (Viton like properties)
 PU=Polyurethane
 PTFEV=PTFE + Glass (impregnated)
 FEP=Encapsulated O-Ring (Teflon like properties over Viton or Silicone)