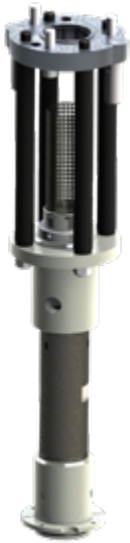


**Pumps | 2 Ball Pumps**



**2B453 HV Ball**

2B453: 2 Ball Pump Size 453cc

part number:

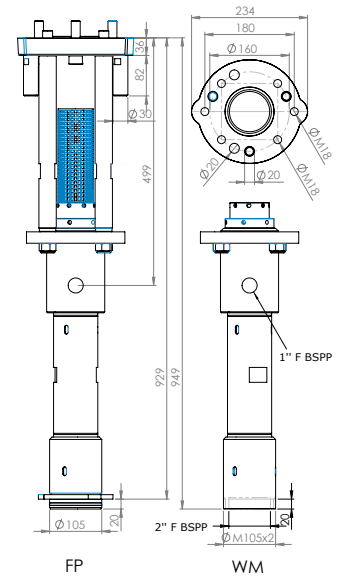
<b>REX</b>	<b>2B</b>	<b>0453</b>	-	<b>MO</b>	-	<b>MA</b>	-	<b>FO</b>	-	<b>SE</b>
------------	-----------	-------------	---	-----------	---	-----------	---	-----------	---	-----------

example: REX2B0453-92-CS-FP-03

High Viscosity 2 Ball Pump used for sealing applications requiring medium flow rates. The pumping solution offers a large footprint, and its construction and seal pack work for solvent based sealers.

**Technical Data**

Fluid volume per cycle	453	cc	15.32	oz
Stroke	200	mm	7.87	inch
Maximum service pressure	390	bar	5700	psi
Weight	46	kg	101,4	Lbs
Fluid outlet	1"	F BSPP		



**Air Motor**



Available Motors	Pressure Ratio	Maximum Air Inlet Pressure		Maximum Outlet Fluid Pressure		Minimum Outlet Fluid Pressure		Motopump Weight		Air consumption 15 Stroke/min @ 4 bar	Air inlet fitting	
		su	bar	psi	bar	psi	bar	psi	Kg			Lbs
<b>XX</b> NONE	-	-	-	-	-	-	-	-	-	-	-	-
<b>72</b> MOTOR 7200	40 : 1	6	100	240	3500	60	870	74	163,2	1087	38,4	3 / 4"
<b>92</b> MOTOR 9200	65 : 1	6	100	390	5700	98	1414	83	183,0	1767	62,4	3 / 4"

scfm= Standard cubic feet of gas per minute

**Pump Construction**



Available Materials	Pump body			Piston				lower valve			Foot tube
	Wet Cup	Upper body	Cylinder	rod	Valve Body	Valve Ball	Valve Seat	Body	Ball	Seat	
<b>CS</b> Mixed materials	CS	CS	CS+Cr	SST+Cr	CS	CS	CS	CS+Zn	CS	CS	-

CS: Carbon Steel - SST: Stainless Steel - CB: Carbide - Zn: Zinc treatment - Cr: Chromium treatment

**Foot and Mounting Styles**



Available Configurations	Technical characteristic	Materials	
		1: Mixed materials	2: Stainless steel
<b>WM</b> Wall mounted	M105x2 / F 2" BSPP	Available	Not available
<b>FP</b> Follower Plate	Ø105 mm	Available	Not available
- Drum Bung mounted	60 Liters Drum	Not available	Not available
- Drum Bung mounted	200 Liters Drum	Not available	Not available



**Seal Pack Options**



Available Seals Packing	Static seals "O"-rings	Upper seals packing	Piston seals packing
<b>03</b> PE	FKM	PE	PTFEG
<b>06</b> PU	FKM	PU	PTFEG

PTFE=Polytetrafluoroethylene (Teflon like properties)  
 PTFEG=PTFE + Graphite (impregnated)  
 PE=Polyethene (UHMWPE)  
 FKM=Fluoroelastomer (Viton like properties)  
 PU=Polyurethane  
 PTFEV=PTFE + Glass (impregnated)  
 FEP=Encapsulated O-Ring (Teflon like properties over Viton or Silicone)