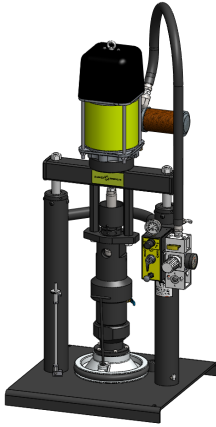


## EXTREME DUTY SUPPLY PUMP



- Double Acting Design
- All Metal/Seal-Free Wet Section
- Heavy Duty Construction
- High Temperature Capability

### Related Technologies



Bead



Gear



Potting

**Apply Your Skills**

[www.sames-kremlin.com](http://www.sames-kremlin.com)

# EXTREME DUTY SUPPLY PUMP



## PUMP CONFIGURATOR

**S 1 - X X X X - X X**

**A** Pump

**B** Air Motor

**C** Packing Gland

**EXAMPLE: S1-3000-VS = S1 (PUMP) + 3000 (AIR MOTOR) + VS (PACKING GLAND)**

## PUMP DESIGNATION

	PUMP	SPECIFICATION	TECH DATA
<b>A</b>	<b>S1</b>	Outlet Port Size	1-1/4" NPT(F)
		Displacement (per cycle)	12 in <sup>3</sup> (197 cc)
		Material Pressure Operating Range	6200 PSI (427 BAR)
		Maximum Viscosity	15,000,000 CPS
	AIR MOTOR	RATIO	TECH DATA
<b>B</b>	<b>3000</b>	<b>20:1</b>	5.5" (14 cm) ID
	<b>5000</b>	<b>37:1</b>	7.4" (19 cm) ID
	<b>7000</b>	<b>62:1</b>	9.8" (25 cm) ID
	PACKING GLAND	TECH DATA	
<b>C</b>	<b>VS</b>	VS - VEE Stack - Alternating PTFE-PE / Adjustable	
	<b>F3</b>	F3 - Fluorotrel (3) Cup Seals / Non-Adjustable	
	<b>PF</b>	PF - PEEK (1) / Fluorotrel (2) Cup Seals / Non-Adjustable	
	<b>PK</b>	PK - PEEK (3) Seals / Non-Adjustable / High Temperature	
	<b>RF</b>	RF - Reservoir Seal Cup-Fluorotrel (3) Cup Seals / Non-Adjustable / Enclosed	

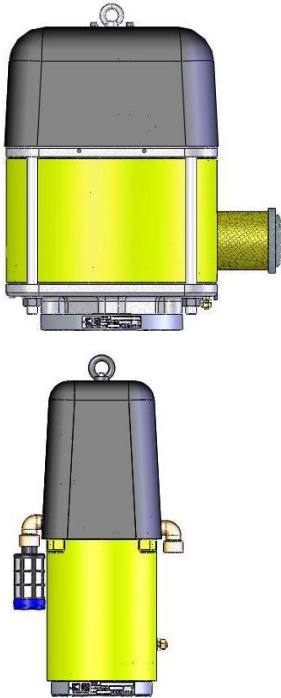
## PART NUMBER

<b>3000</b>	S1-3000-VS	668-060-300	<b>5000</b>	S1-5000-VS	668-060-500	<b>7000</b>	S1-7000-VS	668-060-700
	S1-3000-F3	668-060-310		S1-5000-F3	668-060-510		S1-7000-F3	668-060-710
	S1-3000-PF	668-060-320		S1-5000-PF	668-060-520		S1-7000-PF	668-060-720
	S1-3000-PK	668-060-330		S1-5000-PK	668-060-530		S1-7000-PK	668-060-730
	S1-3000-RF	668-060-340		S1-5000-RF	668-060-540		S1-7000-RF	668-060-740

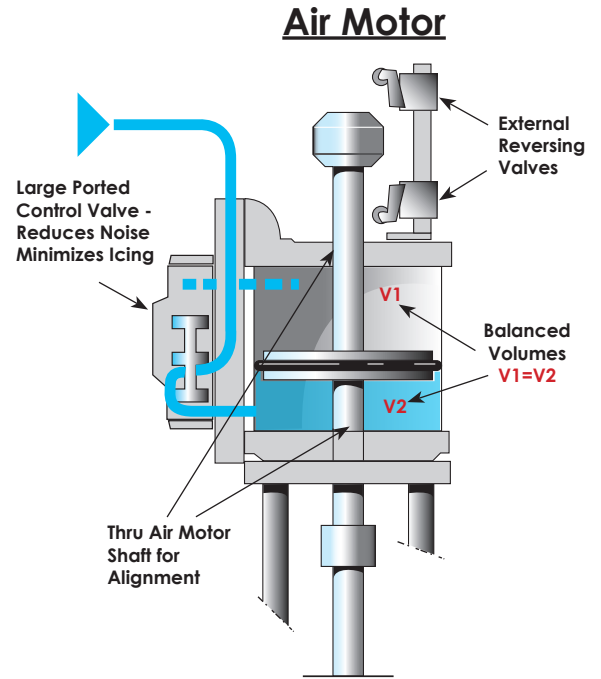
# FEATURES & BENEFITS OF CHOP/CHECK PUMP

## AIR MOTOR FEATURES

### FEATURES OF AIR MOTOR DESIGN



- Simple Design - Minimal Parts Construction
- Through Shaft Design - Support at Top & Bottom for Extended Life
- Balance Volume Design - Equal Up & Down Forces
- Lubrication-Free Design
- External Reversing Valves for Easy Access
- Fast Pump "Changeover" for Optimal Flow
- Large Ported - Quiet Design - Minimal Icing



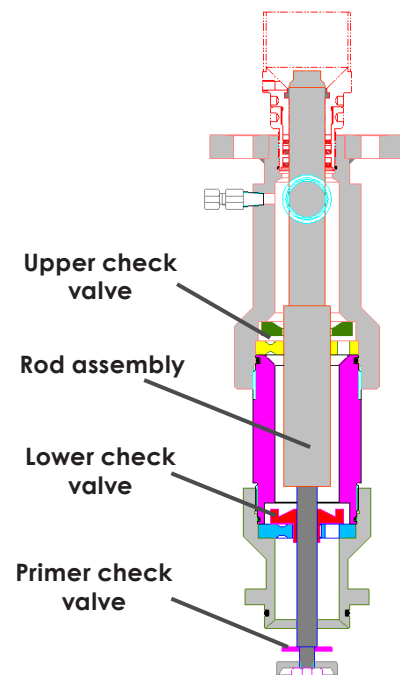
## S1 PUMP FEATURES

### FEATURES OF PUMP DESIGN



- Shovel Pump Design
- Double Acting Operation
- Uses Reversible, All Metal Check Plate and Seat Design
- High Temperature Capability 392 F° (200 C°)
- Adaptable to All 5/55 Ram Elevators
- Only 4 Moving Parts
- Selection of Packing Gland For Most Materials
- Displacement/Cycle: 12 in<sup>3</sup> (197 cm<sup>3</sup>)\*

\*Actual displacement output may vary depending on material viscosity.



# Bond | Protect | Beautify

With our manual guns, automatic and robotic applicators that are supplied with our wide range of pumps and machines for fluid handling, dosing, mixing and dispensing.

**SAMES KREMLIN** provides industrial solutions to increase production, improve quality, and material & costs savings.

We are designers and manufacturers of process equipment that is divided into 6 ranges:

**Airspray:** Since 1925, we have been an Airspray manufacturer bringing you the very best in finishing.

**Airmix®:** Creator of Airmix® Technology since 1975, we provide the perfect mix between quality and productivity.

**Airless:** We provide premium Airless Products for finishers with demanding applications.

**Dispense:** Pumping beyond possible, dispensing precisely.

**Electrostatic Liquid:** Expertise for high finishing quality & efficiency.

**Powder:** Coating solutions for the highest productivity since 1960.

FIND YOUR  
LOCAL CONTACT



[www.sames-kremlin.com](http://www.sames-kremlin.com)



**SAMES KREMLIN Inc.**  
North America Headquarters

45001 5 Mile Road  
Plymouth, Michigan 48170  
Toll: (800)573-5554 | Tel: (734)979-0100 | Fax: (734)927-0064

Canada Branch

931 Progress Avenue, Unit 7  
Scarborough, Ontario M1G 3V5  
Toll: (800)450-0655 | Tel: (416)431-5017 | Fax: (416)431-9171