

**Pumps | Shovel Pumps**



**SH106 HV Shovel**

SH106: Shovel Pump Size 106cc

part number:

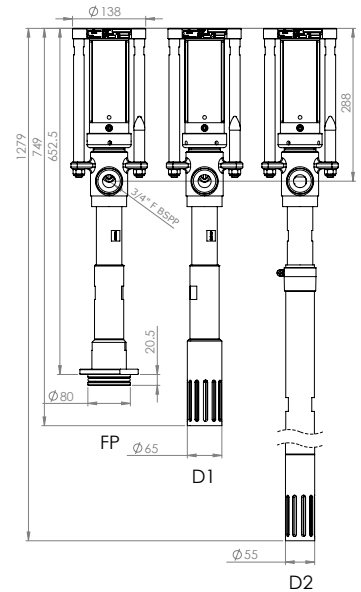
<b>REX</b>	<b>SH</b>	<b>0106</b>	-	<b>MO</b>	-	<b>MA</b>	-	<b>FO</b>	-	<b>SE</b>
------------	-----------	-------------	---	-----------	---	-----------	---	-----------	---	-----------

example: REXSH0106-15-CS-D1-03

High Viscosity Shovel Pump used for airless and extrusion applications requiring low flow rates. The pumping solution offers a small footprint and its construction with several seal pack options work for all non-abrasive materials.

**Technical Data**

Fluid volume per cycle	106	cc	3.58	oz
Stroke	120	mm	4.72	inch
Maximum service pressure	380	bar	5500	psi
Weight	9.5	kg	20.9	Lbs
Fluid outlet	3 / 4 "	F BSPP		



**Air Motor**



Available Motors	Pressure Ratio	Maximum Air Inlet Pressure		Maximum Outlet Fluid Pressure		Minimum Outlet Fluid Pressure		Motopump Weight		Air consumption 15 Stroke/min @ 4 bar	Air inlet fitting		
		su	bar	psi	bar	psi	bar	psi	Kg			Lbs	
NONE	-	-	-	-	-	-	-	-	-	-	-		
<b>15</b>	MOTOR 1500	17 : 1	6	100	100	1500	26	6,00	15,0	33,1	108	3,8	1 / 2 "
<b>30</b>	MOTOR 3000	34 : 1	6	100	200	3000	51	740	17,0	37,5	216	7,6	1 / 2 "
<b>50</b>	MOTOR 5000	63 : 1	6	100	380	5500	95	1371	30,0	66,2	401	14,1	3 / 4 "

scfm= Standard cubic feet of gas per minute

**Pump Construction**



Available Materials	Pump body			Piston				lower valve			Foot		
	Wet Cup	Upper body	Cylinder	rod	Nut	Valve Cone	Valve Seat	Body	Cone	Seat	Rod	Shovel	Inlet tube
Mixed materials	SST	SST	SST+Cr	SST+Cr	CS	CS	CS	CS	CS	CS	SST+Cr	SST	CS
Stainless steel	SST	SST	SST+Cr	SST+Cr	SST	SST	SST	SST	SST	SST	SST+Cr	SST	SST

CS: Carbon Steel - SST: Stainless Steel - CB: Carbide - Zn: Zinc treatment - Cr: Chromium treatment

**Foot and Mounting Styles**



Available Configurations	Technical characteristic	Materials	
		1: Mixed materials	2: Stainless steel
-	-	Not available	Not available
<b>FP</b>	Ø80 mm	Available	Available
<b>D1</b>	60 Liters Drum	Available	Not available
<b>D2</b>	200 Liters Drum	Available	Not available

**Seal Pack Options**



Available Seats Packing	Static seals "O"-rings	Upper seals packing	Piston seals packing	Lower Valve seals packing
<b>01</b>	FKM	PTFE	PTFE	PTFE
<b>02</b>	FEP	PTFE	PTFE	PTFE
<b>03</b>	FKM	PTFE and PE	PTFE and PE	PTFE
<b>04</b>	FKM	Leather and PE	Leather and PE	PTFE
<b>05</b>	FKM	PTFEG	PTFEG	PTFE
<b>06</b>	FKM	PU and PE	PTFEG	PTFE

PTFE=Polytetrafluoroethylene (Teflon like properties)  
 PTFEG=PTFE + Graphite (impregnated)  
 PE=Polyethylene (UHMWPE)  
 FKM=Flouroelastomer (Viton like properties)  
 PU=Polyurethane  
 PTFEV=PTFE + Glass (impregnated)  
 FEP=Encapsulated O-Ring (Teflon like properties over Viton or Silicone)