

Pumps | 2 Ball Pumps



2B588 HV Ball

2B588: 2 Ball Pump Size 588cc

part number:

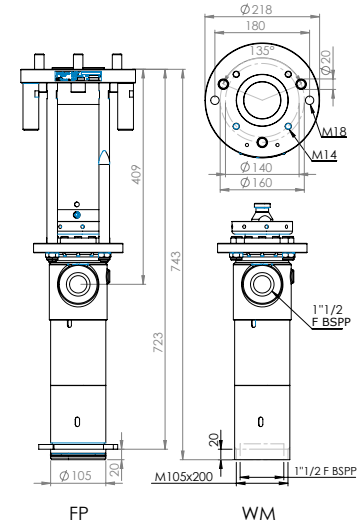
REX	2B	0588	-	MO	-	MA	-	FO	-	SE
------------	-----------	-------------	----------	-----------	----------	-----------	----------	-----------	----------	-----------

example: REX2B0588-60-SC-FP-03

High Viscosity 2 Ball Pump used for airless and extrusion application requiring medium flow rates. The is a shorter version of 2B980 offers a medium footprint, and its construction and seal pack options allow the pump to work with all materials.

Technical Data

Fluid volume per cycle	588	cc	19,88	oz
Stroke	120	mm	4,72	inch
Maximum service pressure	180	bar	2600	psi
Weight	36	kg	79,4	Lbs
Fluid outlet	1" 1/2	F BSPP		



Air Motor



Available Motors	Pressure Ratio	Maximum Air Inlet Pressure		Maximum Outlet Fluid Pressure		Minimum Outlet Fluid Pressure		Motopump Weight		Air consumption 15 Stroke/min @ 4 bar	Air inlet fitting		
		su	bar	psi	bar	psi	bar	psi	Kg			Lbs	NL.min-1
NONE	-	-	-	-	-	-	-	-	-	-	-	-	
60	MOTOR 6000	10 : 1	6	100	60	900	15	218	57	125,7	353	12,5	3 / 4 "
70	MOTOR 7000	18 : 1	6	100	110	1600	27	392	64	141,1	635	22,4	3 / 4 "
90	MOTOR 9000	30 : 1	6	100	180	2600	45	653	73	161,0	1058	37,4	3 / 4 "

scfm= Standard cubic feet of gas per minute

Pump Construction



Available Materials	Pump body			Piston				lower valve			
	Wet Cup	Upper body	Cylinder	rod	Valve Body	Valve Ball	Valve Seat	Body	Ball	Seat	
CS	Mixed materials	CS+Zn	SST	CS+Cr	SST+Cr	CS	CS	CS	CS	CS	CS
SS	Stainless steel	CS+Zn	SST	SST+Cr	SST+Cr	SST	SST	SST	SST	SST	SST
SC	Mixed materials + CB valves	CS+Zn	SST	CS+Cr	SST+Cr	SST	CB	SST	CS	CB	CB

CS: Carbon Steel - SST: Stainless Steel - CB: Carbide - Zn: Zinc treatment - Cr: Chromium treatment

Foot and Mounting Styles



Available Configurations	Technical characteristic	Materials				
		1: Mixed materials	2: Stainless Steel	3: Mixed materials + CB valves	4: Stainless steel+ CB valves	
WM	Wall mounted	M105x2 / F 1" 1/2 BSPP	Available	Available	Not available	Not available
FP	Follower Plate	Ø105 mm	Available	Available	Available	Available
-	Drum Bung mounted	60 Liters Drum	Not available	Not available	Not available	Not available
-	Drum Bung mounted	200 Liters Drum	Not available	Not available	Not available	Not available

Seal Pack Options



Available Seals Packing	Static seals "O"-rings	Upper seals packing	Piston seals packing
01	PTFE	FKM	PTFE
02	PTFE + FEP	FEP	PTFE
03	PE	FKM	PTFE and PE
04	Leather	FKM	Leather and PE
05	PTFEG	FKM	PTFEG
06	PU	FKM	PU and PE
07	PTFEV	FKM	PU and PE

PTFE=Polytetrafluoroethylene (Teflon like properties)
 PTFEG=PTFE + Graphite (impregnated)
 PE=Polyethylene (UHMWPE)
 FKM=Fluoroelastomer (Viton like properties)
 PU=Polyurethane
 PTFEV=PTFE + Glass (impregnated)
 FEP=Encapsulated O-Ring (Teflon like properties over Viton or Silicone)