

Pumps | 2 Ball Pumps



2B1000 HV Ball

2B1000: 2 Ball Pump Size 1000cc

part number:

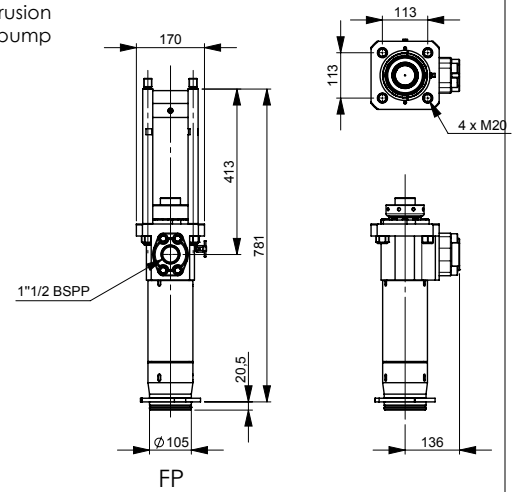
REX	2B	1000	-	MO	-	MA	-	FO	-	SE
------------	-----------	-------------	---	-----------	---	-----------	---	-----------	---	-----------

example: REX2B1000-9H-SS-FP-06

High Viscosity 2 Ball Pump used for suppling airless and extrusion application systems requiring high flow rates with high pressure. The pump has a large foot and it construction is for all material.

Technical Data

Fluid volume per cycle	1005	cc	33.98	oz
Stroke	205	mm	8.07	inch
Maximum service pressure	360	bar	5200	psi
Weight	100	kg	220.5	Lbs
Fluid outlet	1 " 1/2	F BSPP		



Air Motor



Available Motors	Pressure Ratio		Maximum Air Inlet Pressure		Maximum Outlet Fluid Pressure		Minimum Outlet Fluid Pressure		Motopump Weight		Air consumption 15 Stroke/min @ 4 bar	Air inlet fitting	
	su	bar	psi	bar	psi	bar	psi	Kg	Lbs	NL.min-1	scfm	Female BSP	
NONE	-	-	-	-	-	-	-	-	-	-	-	-	
9H	MOTOR 2 x 9200	60 : 1	6 /	100	360 /	5200	90 /	1305	165 /	363,8	3618 /	127,8	3 / 4 "

XX

9H

scfm= Standard cubic feet of gas per minute

Pump Construction



Available Materials	Pump body			Piston				lower valve			Foot tube
	Wet Cup	Upper body	Cylinder	rod	Valve Body	Valve Ball	Valve Seat	Body	Ball	Seat	
Stainless steel	SST	SST	SST+Cr	SST+Cr	SST	CB	SST	SST	CB	SST	

SS

CS: Carbon Steel - SST: Stainless Steel - CB: Carbide - Zn: Zinc treatment - Cr: Chromium treatment

Foot and Mounting Styles



Available Configurations	Technical characteristic	Materials	
		Mixed materials	Stainless steel
-	Wall mounted	-	Not available
FP	Follower Plate	Ø105 mm	Available
-	Drum Bung mounted	60 Liters Drum	Not available
-	Drum Bung mounted	200 Liters Drum	Not available

FP

Seal Pack Options



Available Seals Packing	Static seals "O"-rings	Upper seals packing	Piston seals packing
PU	FKM	PU and PE	PTFEG

06

PTFE=Polytetrafluoroethylene (Teflon like properties)
 PTFEG=PTFE + Graphite (impregnated)
 PE=Polyethene (UHMWPE)
 FKM=Flouoraelastomer (Viton like properties)
 PU=Polyurethane
 PTFEV=PTFE + Glass (impregnated)
 FEP=Encapsulert O-Ring (Teflon like properties over Viton or Silicone)