



DOCUMENTATION - DOKUMENTATION - DOCUMENTACIÓN

POMPE / PUMP / PUMPE / BOMBA

20-25 F

AIRMIX<sup>®</sup> FLOWMAX<sup>®</sup>

Notice / Manual / Betriebsanleitung / Libro : 582.045.110 - 1605

Date / Datum / Fecha : 27/05/16

Annule / Supersede / Ersetzt / Anula :

Modif. / Änderung :

**NOTICE ORIGINALE / TRANSLATION FROM THE ORIGINAL MANUAL**  
**/ ÜBERSETZUNG DER ORIGINAL BETRIEBSANLEITUNG**  
**/ TRADUCCIÓN DEL MANUAL ORIGINAL**

**IMPORTANT : Lire attentivement tous les documents avant le stockage, l'installation ou la mise en service du matériel concerné (à usage strictement professionnel).**

**Before assembly and start-up, please read and clearly understand all the documents relating to this equipment (professional use only).**

**WICHTIGER HINWEIS: Vor Lagerung, Installation oder Inbetriebnahme des Geräts bitte sämtliche Dokumente sorgfältig lesen (Einsatz nur von geschultem Personal).**

**IMPORTANTE : Lea con atención todos los documentos antes de almacenar, instalar o poner en marcha el equipo (uso exclusivamente profesional).**

*PHOTOS ET ILLUSTRATIONS NON CONTRACTUELLES. MATERIELS SUJETS A MODIFICATION(S) SANS PREAVIS.*

*THE PICTURES AND DRAWINGS ARE NON CONTRACTUAL. WE RESERVE THE RIGHT TO MAKE CHANGES WITHOUT PRIOR NOTICE.*

*ALLE IN DIESEM DOKUMENT ENTHALTENEN SCHRIFTLICHEN ANGABEN UND ABBILDUNGEN STELLEN DIE NEUESTEN*

*PRODUKTINFORMATIONEN DAR. WIR BEHALTEN UNS DAS RECHT VOR, JEDERZEIT OHNE VORANKÜNDIGUNG ÄNDERUNGEN VORZUNEHMEN.*

*LAS FOTOGRAFÍAS E ILUSTRACIONES NO SON VINCULANTES. LOS MATERIALES ESTÁN SUJETOS A CAMBIOS SIN PREVIO AVISO.*

**KREMLIN - REXSON**

150, avenue de Stalingrad

93 245 - STAINS CEDEX - France

☎ : 33 (0)1 49 40 25 25      Fax : 33 (0)1 48 26 07 16

**www.kremlin-rexson.com**



# INSTALLATION AND SAFETY INSTRUCTIONS

## TRANSLATION OF THE ORIGINAL MANUAL

**IMPORTANT** : Before assembly and start-up, please read and clearly understand all the documents relating to this equipment (professional use only).

*THE PICTURES AND DRAWINGS ARE NON CONTRACTUAL. WE RESERVE THE RIGHT TO MAKE CHANGES WITHOUT PRIOR NOTICE.*

### **KREMLIN - REXSON**

150, avenue de Stalingrad

93 245 - STAINS CEDEX – France

**☎** : 33 (0)1 49 40 25 25      *Fax* : 33 (0)1 48 26 07 16

**[www.kremlin-rexson.com](http://www.kremlin-rexson.com)**

# 1. SAFETY INSTRUCTIONS

## GENERAL SAFETY INSTRUCTIONS



**CAUTION** : The equipment can be dangerous if you do not follow our instructions concerning installation and servicing described in this manual and in accordance with applicable European standards and local national safety regulations.

Please carefully read all the instruction literature before operating your equipment.

**Only trained operators can use the equipment** (To acquire an essential training, please contact the "KREMLIN REXSON University" training center - Stains).

The foreman must ensure that the operator has understood the safety instructions for this equipment as well as the instructions in the manuals for the different parts and accessories.

Read carefully all instruction manuals, label markings before operating the equipment.



















Incorrect use may result in injury. This equipment is for professional use only. It must be used only for what it has been designed for. Never modify the equipment. The parts and accessories supplied must be regularly inspected. Defective or worn parts must be replaced.

**Guards (motor cover, coupling shields, connectors,...) have been designed for a safe use of the equipment.**  
**The manufacturer will not be held responsible for bodily injury or failure and / or property damage due to destruction, the overshadowing or the partial or total removal of the guards.**

**Never exceed the equipment components' maximum working pressure.**

Comply with regulations concerning safety, fire risks, electrical regulations in force in the country of final destination of the material. Use only products or solvent compatible with the parts in contact with the material (refer to data sheet of the material manufacturer).

## PICTOGRAMS

					
NIP HAZARD	WARNING MOVING ELEVATOR	WARNING MOVING PARTS	WARNING MOVING SHOVEL	DO NOT EXCEED THIS PRESSURE	HIGH PRESSURE HAZARD
					
RELIEF OR DRAIN VALVE	WARNING HOSE UNDER PRESSURE	WEAR GLASSES OBLIGATORY	WEAR OF GLOVES IS OBLIGATORY	PRODUCT VAPOR HAZARDS	WARNING HOT PARTS OR AREAS
					
ELECTRICAL HAZARD	WARNING FIRE HAZARDS	EXPLOSION HAZARDS	GROUNDING	WARNING (USER)	WARNING SERIOUS INJURIES

## FIRE - EXPLOSION - SPARKS - STATIC ELECTRICITY HAZARDS

A poor earth connection, inadequate ventilation, sparks or static electricity can cause an explosion or fire. to avoid these risks when using or servicing KREMLIN REXSON equipment, the following safety procedures must be followed :



- ensure a good earth connection and ground the parts to be handled i.e. solvents, materials, components and equipment,
- ensure adequate ventilation,
- keep working area clean and free from waste solvents, chemicals, or solid waste i.e. rags, paper and empty chemicals drums,
- never use electrical switches / power if in an atmosphere of volatile solvent vapour,
- stop working immediately in case of electrical arcs,
- never store chemicals and solvents in the working area.
- use paint whose flash point is the highest possible to prevent from any formation of gas and inflammable vapours (refer to materials' safety instructions),
- install a cover on the drums to reduce the diffusion of gas and vapours in the spraybooth.

## TOXIC PRODUCT HAZARDS

Toxic products or vapours can cause severe injury not only through contact with the body, but also if the products are ingested or inhaled. It is imperative :



- to know the material products and their risks,
- notified or hazardous materials must be stored in accordance with the regulations,
- the material must be stored in an appropriate container, never place materials in a container where there is a risk of spillage or leakage,
- a procedure must be applied for the safe disposal of waste material. It must comply with all prevailing regulations and legislations of the country where the equipment is to be used,
- protective clothing should always be worn in compliance with the material manufacturers' recommendations,
- depending on the application and chemical safety instructions, safety glasses, hearing protective earplug, gloves, foot wear, protective masks and possible breathing equipment should be worn to comply with the regulations (Refer to chapter "Safety equipment of KREMLIN selection guide).



### **CAUTION!**



It is forbidden to use material containing high concentrations of halogenated hydrocarbon solvents with **aluminium or zinc fillers** .Non-compliance with the instructions may cause explosion risk causing serious or fatal injury.

## **EQUIPMENT REQUIREMENTS**

**Guards (motor cover, coupling shields, connectors,...) have been designed for a safe use of the equipment.**

**The manufacturer will not be held responsible for bodily injury or failure and / or property damage due to destruction, the overshadowing or the partial or total removal of the guards.**

### **PUMP**



Before carrying out any work, it is imperative to read and clearly understand the disassembly and reassembly instructions before servicing. The operator must understand the equipment and the safety instructions. These instructions are available in the equipment manuals.



The air motor is designed to be mounted with a pump. Never modify any components or couplings. When operating, please keep hands away from moving parts. Before starting up the equipment, please read the PRESSURE RELIEF instructions. Please ensure that any relief or drain valves fitted are in good working order.

### **HOSES**

- Keep hoses out of circulation areas, moving parts or hot surfaces,
- Never expose product hoses to temperature higher than + 60°C / 140° F or lower than 0°C / 32° F,
- Never pull or use the hoses to move the equipment,
- Tighten all fittings as well as the hoses before operating the equipment,
- Check the hoses regularly; change them if they are damaged,
- Never exceed the working pressure (WP) indicated on the hose.

## **USED PRODUCTS**

Considering the wide variety of products that are available and can be used in our equipment it is impossible to check and make recommendations for all chemical data, regarding the risks of possible chemical attack and their long term chemical reaction

KREMLIN REXSON can not be held liable for :

- Compatibility of wetted parts,
- Risks to staff and the surroundings,
- for worn or defective parts, for faulty equipment or units, or the quality of final product.

It is the responsibility of the user to know and prevent any possible risks such as toxic vapours, fires or explosions. He shall determine the risks of immediate reactions or pursuant to repeated exposures of the staff,

KREMLIN REXSON shall not be liable for physical injuries, direct or indirect material damages caused by the use of chemicals.

## 2. HANDLING



### ***Check the weight and the dimensions of the equipment***

***( refer to 'Technical features' section of the instruction manual***

If weight and dimensions are too important, the unloading must be carried out by means of a forklift or any other appropriate means with a qualified personnel and in a clear horizontal area to prevent from risks of damage injury or an accident.

The centre of gravity is not in the centre of the machine : carry out by hand a stability-test after having lifted the whole at 10 cm / 3.937" maximum.

After the unloading, the handling of the whole (eg: elevator pump) is carried out by means of a pallet truck taking the bottom part of the frame.

**Remark : Each pump motor is fitted with a ring. The ring is designed for the hoisting of one pump and can not be used for the handling of the complete machine.**

## 3. STORING

Storing before installation :

- Storing ambient temperature : 0 / +50 °C / 0 / +122°F
- Protect the whole against dust, water trickling, dampness and shocks.

Storing after installation :

- Operating temperature : +15 / +35 °C / +59 / +138.2° F
- Protect the whole against dust, water trickling, dampness and shocks.

## 4. INSTALLATION OF THE EQUIPMENT

The machine is installed on a stable horizontal floor (for eg a concrete flag).



**To avoid risks caused by static electricity, the equipment as well as its components must be grounded.**

- **For the pumping equipments** (pumps, pneumatic rams, frame...), a section wire of 2.5 mm<sup>2</sup> is fixed on the material. Use this wire to connect the material to "the general ground". In case of severe environments (mechanical protection of the wire of earthing insufficient, vibrations, mobile material...) where function damages at the ground are probable, the user have to replace the provided wire of 2.5 mm<sup>2</sup> by a device more adapted to its environment (wire with a more important section, bonding strip, fixing by thimble with eyelet...),

The continuity of the ground must be controlled by a qualified electrician. If the continuity of the ground is not ensured, check the terminal, the wire and the earthing point. **Never** use the material without have solved this problem.

- In the severe cases of environments (mechanical protection of the wire of earthing insufficient, vibrations, mobile material...) where damages of the function put at the ground are probable, the user will have to replace the wire of 2.5 mm<sup>2</sup> provided, by a device more adapted to its environment (wire of more important section, bonding strip, fixing by thimble with eyelet...),
- **The gun** must be 'grounded' via a material hose or an air hose. In case of spraying by means of a gun with cup, the air hose must be conductive,
- **The materials to be painted** must also be grounded.

**All the materials situated in the working area shall be grounded.**



- **Never store** more than necessary inflammable materials inside the working area,
- The materials must be stored into **approved drums** and grounded,
- Use only grounded **metals containers** for the use of cleaning solvents,
- **Cardboard and paper are prohibited.**

## 5. MARKING OF THE EQUIPMENT

Each equipment has a marking plate.

The plate consists of the name of the manufacturer, the equipment part number and important information for correct use of the equipment (air pressure, electric power,...).



<p align="center"><b>FR</b></p> <p><b>Pour une utilisation sûre, il est de votre responsabilité de :</b></p> <ul style="list-style-type: none"> <li>• Lire attentivement tous les documents contenus dans le CD joint avant la mise en service de l'équipement,</li> <li>• D'installer, d'utiliser, d'entretenir et de réparer l'équipement conformément aux préconisations de KREMLIN REXSON ainsi qu'aux réglementations nationales et/ou locales,</li> <li>• Vous assurez que les utilisateurs de cet équipement ont été formés, ont parfaitement compris les règles de sécurité et qu'ils les appliquent.</li> </ul>	<p align="center"><b>UK</b></p> <p><b>To ensure safe use of the machinery, it is your responsibility to:</b></p> <ul style="list-style-type: none"> <li>• Carefully read all documents contained on the enclosed CD before putting the machinery into service,</li> <li>• Install, use, maintain and repair the machinery in accordance with KREMLIN REXSON's recommendations and national and/or local regulations,</li> <li>• Make sure that the users of the machinery have received proper training and that they have perfectly understood the safety rules and apply them.</li> </ul>	<p align="center"><b>DE</b></p> <p><b>Eine sichere Nutzung setzt voraus, dass Sie: :</b></p> <ul style="list-style-type: none"> <li>• alle in der CD enthaltenen Dokumente vor der Inbetriebnahme der Anlage aufmerksam lesen,</li> <li>• die Anlage im Einklang mit den Empfehlungen von KREMLIN REXSON sowie mit den nationalen und/oder lokalen Bestimmungen installieren, verwenden, warten und reparieren,</li> <li>• sich vergewissern, dass die Nutzer dieser Anlage angemessen geschult wurden, die Sicherheitsbestimmungen verstanden haben und sie anwenden.</li> </ul>
<p align="center"><b>ES</b></p> <p><b>Para una utilización segura, será de su responsabilidad:</b></p> <ul style="list-style-type: none"> <li>• leer atentamente todos los documentos que se incluyen en el CD adjunto antes de la puesta en servicio del equipo,</li> <li>• instalar, utilizar, efectuar el mantenimiento y reparar el equipo con arreglo a las recomendaciones de KREMLIN REXSON y a la normativa nacional y/o local,</li> <li>• cerciorarse de que los usuarios de este equipo han recibido la formación necesaria, han entendido perfectamente las normas de seguridad y las aplican.</li> </ul>	<p align="center"><b>IT</b></p> <p><b>Per un uso sicuro, vi invitiamo a:</b></p> <ul style="list-style-type: none"> <li>• leggere attentamente tutta la documentazione contenuta nel CD allegato prima della messa in funzione dell'apparecchio,</li> <li>• installare, utilizzare, mantenere e riparare l'apparecchio rispettando le raccomandazioni di KREMLIN REXSON, nonché le normative nazionali e/o locali,</li> <li>• accertarvi che gli utilizzatori dell'apparecchio abbiano ricevuto adeguata formazione, abbiano perfettamente compreso le regole di sicurezza e le applichino.</li> </ul>	<p align="center"><b>PT</b></p> <p><b>Para uma utilização segura, é da sua responsabilidade:</b></p> <ul style="list-style-type: none"> <li>• Ler atentamente todos os documentos incluídos no CD em anexo antes de pôr o equipamento em funcionamento,</li> <li>• Proceder à instalação, utilização, manutenção e reparação do equipamento de acordo com as preconizações de KREMLIN REXSON, bem como com outros regulamentos nacionais e/ou locais aplicáveis,</li> <li>• Assegurar-se que os utilizadores do equipamento foram devidamente capacitados, compreenderam perfeitamente e aplicam as devidas regras de segurança.</li> </ul>
<p align="center"><b>NL</b></p> <p><b>Voor een veilig gebruik dient u:</b></p> <ul style="list-style-type: none"> <li>• alle document op de bijgevoegde cd aandachtig te lezen alvorens het apparaat in werking te stellen,</li> <li>• het apparaat te installeren, gebruiken, onderhouden en repareren volgens de door KREMLIN REXSON gegeven aanbevelingen en overeenkomstig de nationale en/of plaatselijke reglementeringen,</li> <li>• zeker te stellen dat de gebruikers van dit apparaat zijn opgeleid, de veiligheidsregels perfect hebben begrepen en dat zij die ook toepassen.</li> </ul>	<p align="center"><b>SE</b></p> <p><b>För en säker användning av utrustningen ansvarar ni för följande:</b></p> <ul style="list-style-type: none"> <li>• Läs noga samtliga dokument som finns på den medföljande cd-skivan innan utrustningen tas i drift.</li> <li>• Installera, använd, underhåll och reparera utrustningen enligt anvisningarna från KREMLIN REXSON och enligt nationella och/eller lokala bestämmelser.</li> <li>• Försäkra er om att användare av denna utrustning erhållit utbildning, till fullo förstått säkerhetsföreskrifterna och tillämpar dem.</li> </ul>	<p align="center"><b>FI</b></p> <p><b>Käytön turvallisuuden varmistamiseksi velvollisuutesi on:</b></p> <ul style="list-style-type: none"> <li>• Lukea huolella kaikki CD:llä olevat asiakirjat ennen laitteiston käyttöönottoa,</li> <li>• Noudattaa laitteiston asennuksessa, käytössä, kunnossapidossa ja huollossa KREMLIN REXSON in suosituksia sekä kansallisia ja/tai paikallisia määräyksiä,</li> <li>• Varmistaa, että laitteiston käyttäjät ovat koulutettuja ja ymmärtävät täysin turvallisuusmääräykset ja miten niitä sovelletaan.</li> </ul>
<p align="center"><b>PL</b></p> <p><b>Dla zapewnienia bezpiecznego użytkowania na użytkownika spoczywa obowiązek:</b></p> <ul style="list-style-type: none"> <li>• Uważnego zapoznania się ze wszystkimi dokumentami znajdującymi się na załączonej płycie CD przed pierwszym uruchomieniem urządzenia,</li> <li>• Instalowania, użytkowania, konserwacji i naprawy urządzenia zgodnie z zaleceniami firmy KREMLIN REXSON oraz z przepisami miejscowymi,</li> <li>• Upewnienia, że wszyscy przeszkoleni użytkownicy urządzenia zrozumieli zasady bezpieczeństwa i stosują się do nich.</li> </ul>	<p align="center"><b>CS</b></p> <p><b>Pro bezpečné používání jste povinni:</b></p> <ul style="list-style-type: none"> <li>• Před uvedením zařízení do provozu si pozorně přečtete veškeré dokumenty obsažené na příloženém CD,</li> <li>• Nainstalovat, používat, udržovat a opravovat zařízení v souladu s pokyny firmy KREMLIN REXSON a s národními a/nebo místními legislativními předpisy,</li> <li>• Ujistit se, že uživatelé tohoto zařízení byli vyškoleni, že dokonale pochopili bezpečnostní pravidla a že je dodržují.</li> </ul>	<p align="center"><b>RU</b></p> <p><b>Для целей безопасного использования необходимо:</b></p> <ul style="list-style-type: none"> <li>• Ознакомиться со всеми документами, содержащимися в прилагаемом компакт-диске до ввода оборудования в эксплуатацию;</li> <li>• Устанавливать, использовать, производить техническое обслуживание и ремонт оборудования в соответствии с рекомендациями KREMLIN REXSON и национальным и/или местным законодательством;</li> <li>• Убедиться, что пользователи настоящего оборудования прошли подготовку, надлежащим образом усвоили правила безопасности и обеспечивают их соблюдение.</li> </ul>

Déclaration(s) de conformité au verso de ce document / Declaration(s) of conformity at the back of this document / Konformitätserklärung(en) auf der Rückseite dieser Unterlage / Declaración (es) de conformidad en el reverso de este documento / Dichiarazione/i di conformità sul retro del presente documento / Declaração(ões) de conformidade no verso do documento / Conformiteitsverklaring(en) op de keerzijde van dit document / Försäkran om överensstämmelse på omstående sida av detta dokument / Vaatimustenmukaisuusvakuutukset tämän asiakirjan kääntöpuolella / Deklaracja(e) zgodności na odwrocie dokumentu / Prohlášení o shodě se nachází/nacházejí na zadní straně tohoto dokumentu / Сертификат(ы) соответствия расположены на оборотной стороне настоящего документа



VALABLE JUSQU'AU 19 AVRIL 2016  
 VALID UNTIL 19 APRIL 2016  
 GÜLTIG BIS ZUM 19. APRIL 2016  
 VALIDEZ HASTA EL 19 DE ABRIL DE 2016  
 VALIDO FINO AL 19 APRILE 2016  
 APLICÁVEL ATÉ 19 DE ABRIL DE 2016  
 GELDIG TOT 19 APRIL 2016  
 GÄLLER TILL OCH MED DEN 19 APRIL 2016  
 VOIMASSA 19.4.2016 SAAKKA  
 WAŻNOŚĆ DO 19 KWIETNIA 2016 R.  
 PLATÍ DO 19. DUBNA 2016  
 ДЕЙСТВИТЕЛЬНО ДО 19 АПРЕЛЯ 2016 ГОДА



DECLARATION CE DE CONFORMITE  
EC DECLARATION OF CONFORMITY  
EG KONFORMITÄTSERKLÄRUNG  
DECLARACIÓN CE DE CONFORMIDAD  
DICHIARAZIONE CE DI CONFORMITÀ  
DECLARAÇÃO CE DE CONFORMIDADE  
EG-VERKLARING VAN OVEREENSTEMMING  
EG-FÖRSÄKRAN OM ÖVERENSSTÄMMELSE  
EY-VAATIMUKSEN MUKAISUUSVAKUUTUS  
DEKLARACJA ZGODNOŚCI CE  
CE PROHLÁŠENÍ O SHODĚ  
ДЕКЛАРАЦИЯ СООТВЕТСТВИЯ CE

Le fabricant / The manufacturer / Der Hersteller / El fabricante / Il produttore / O fabricante / De fabrikant / Tillverkare / Valmistaja / Producent / Výrobce / Изготовитель:	<b>KREMLIN REXSON</b> 150, avenue de Stalingrad 93 240 - STAINS - FRANCE Tél. 33 (0)1 49 40 25 25 - Fax : 33 (0)1 48 26 07 16
--	--

Déclare que le matériel désigné ci-après / Herewith declares that the equipment / erklärt hiermit, dass die / Declara que el material designado a continuación / Dichiaro che il materiale sottoindicato / Declara que o material a seguir designado / verklaart dat de hieronder aangeduide apparatuur / Kungör att den utrustning som anges här nedan / ilmoittaa, että alla mainitut laitteistot / Oświadczka, że wymienione poniżej urządzenia / Prohlašuje, že níže uvedené vybavení / Декларирует, что ниженазванное оборудование:

**POMPE PNEUMATIQUE FLOWMAX® & POMPE AIRMIX® FLOWMAX® A MOTEUR AVEC INVERSEUR**  
**/ AIRMIX® FLOWMAX® PUMP & FLOWMAX® LOW PRESSURE PUMP - AIR MOTOR WITH REVERSING BLOCK**  
**/ AIRMIX® PUMPE UND PNEUMATISCHE PUMPE MIT UMSTEUERMOTOR - FLOWMAX®**  
**/ BOMBA NEUMÁTICA FLOWMAX® & BOMBA AIRMIX® FLOWMAX® CON MOTOR CON INVERSOR**

20-25 F	
20-50 F	20-50 FT
04-120 F	
08-120 F	08-120 FT
16-120 F	16-120 FT
04-220 F	04-220 FT
	08-220 FT
20-220 F	

Est conforme à la législation d'harmonisation de l'Union applicable suivante / Is in conformity with the relevant Union harmonisation legislation / Erfüllt die einschlägigen Harmonisierungsrechtsvorschriften der Union / es conforme con la legislación de armonización pertinente de la Unión / è conforme alla pertinente normativa di armonizzazione dell'Unione / in overeenstemming met de desbetteffende harmonisatiewetgeving van de Unie / med den relevanta harmoniserade unionslagstiftningen / on asiaa koskevan unionin yhdenmukaistamislainsäädännön vaatimusten mukainen / jest zgodny z odpowiednimi wymaganiami unijnego prawodawstwa harmonizacyjnego / Shoduje se s následující příslušnou evropskou harmonizační legislativou / Соответствует следующим стандартизированным нормам Союза

Directive ATEX / ATEX Directive / ATEX Richtlinie / Directiva ATEX / Direttiva ATEX / Diretiva ATEX / ATEX-Richtlijn / ATEX-direktivet / ATEX-direktivi / Dyrektywa ATEX / Směrnice ATEX / Директива ATEX	<b>94/9/CE</b>
--	----------------



Dominique LAGOUGE

Directeur Général / Chief Executive Officer / Generaldirektor  
 / Director General / Direttore Generale / Director Geral / Algemeen  
 Directeur / Generaldirektör / Pääjohtaja / Dyrektor Naczelny  
 / Dyrektor Generalny / Generální ředitel / Генеральный директор

Fait à Stains, le / Established in Stains, on / Geschehen zu Stains, am / En Stains, a / Redatto a Stains, / Vastgesteld te Stains, / Utformat i Stains, den / Stains, Ranska, / Sporządzono w Stains, dnia / Stains, dnia / Издано в г. Стен (Stains) 21/01/2010 - 01/21/2010

VALABLE A PARTIR DU 20 AVRIL 2016  
 VALID FROM 20 APRIL 2016  
 GÜLTIG AB DEM 20. APRIL 2016  
 VALIDEZ A PARTIR DEL 20 DE ABRIL DE 2016  
 VALIDO A PARTIRE DAL 20 APRILE 2016  
 APLICÁVEL A PARTIR DE 20 DE ABRIL DE 2016  
 GELDIG VANAF 20 APRIL 2016.  
 GÄLLER FRÅN OCH MED DEN 20 APRIL 2016  
 VOIMASSA 20.4.2016 ALKAEN  
 WAŻNOŚĆ OD 20 KWIETNIA 2016 R.  
 PLATÍ OD 20. DUBNA 2016  
 ДЕЙСТВИТЕЛЬНО С 20 АПРЕЛЯ 2016 ГОДА



**DECLARATION UE DE CONFORMITE**  
**UE DECLARATION OF CONFORMITY**  
**EU-KONFORMITÄTSEKTLÄRUNG**  
**DECLARACIÓN UE DE CONFORMIDAD**  
**DICHIARAZIONE DI CONFORMITÀ UE**  
**DECLARAÇÃO UE DE CONFORMIDADE**  
**EU-CONFORMITEITSVERKLARING**  
**EU-FÖRSÄKRAN OM ÖVERENSSTÄMMESE**  
**EU-VAATIMUKSEN MUKAISUUSVAKUUTUS**  
**DEKLARACJA ZGODNOŚCI UE**  
**EU PROHLÁŠENÍ O SHODĚ**  
**ДЕКЛАРАЦИЯ О СООТВЕТСТВИИ НОРМАМ ЕС**

Le fabricant / The manufacturer / Der Hersteller / El fabricante / Il produttore / O fabricante / De fabrikant / Tillverkare / Valmistaja / Producent / Výrobce / Изготовитель:	<b>KREMLIN REXSON</b> 150, avenue de Stalingrad 93 240 - STAINS - FRANCE Tél. 33 (0)1 49 40 25 25 - Fax : 33 (0)1 48 26 07 16
--	--

Déclare que le matériel désigné ci-après / Herewith declares that the equipment / erklårt hiermit, dass die / Declara que el material designado a continuación / Dichiara che il materiale sottoindicato / Declara que o material a seguir designado / verklaart dat de hieronder aangeduide apparatuur / Kungör att den utrustning som anges här nedan / ilmoittaa, että alla mainitut laitteistot / Oświadcza, że wymienione poniżej urządzenia / Prohlašuje, že níže uvedené vybavení / Декларирует, что ниженазванное оборудование:

**POMPE PNEUMATIQUE FLOWMAX® & POMPE AIRMIX® FLOWMAX® A MOTEUR AVEC INVERSEUR**  
**/ AIRMIX® FLOWMAX® PUMP & FLOWMAX® LOW PRESSURE PUMP - AIR MOTOR WITH REVERSING BLOCK**  
**/ AIRMIX® PUMPE UND PNEUMATISCHE PUMPE MIT UMSTEUERMOTOR - FLOWMAX®**  
**/ BOMBA NEUMÁTICA FLOWMAX® & BOMBA AIRMIX® FLOWMAX® CON MOTOR CON INVERSOR**

20-25 F	
20-50 F	20-50 FT
04-120 F	
08-120 F	08-120 FT
16-120 F	16-120 FT
04-220 F	04-220 FT
	08-220 FT
20-220 F	

Est conforme à la législation d'harmonisation de l'Union applicable suivante / Is in conformity with the relevant Union harmonisation legislation / Erfüllt die einschlägigen Harmonisierungsrechtsvorschriften der Union / es conforme con la legislación de armonización pertinente de la Unión / è conforme alla pertinente normativa di armonizzazione dell'Unione / in overeenstemming met de desbetreffende harmonisatiewetgeving van de Unie / med den relevanta harmoniserade unionslagstiftningen / on asiaa koskevan unionin yhdenmukaistamislainsäädännön vaatimusten mukainen / jest zgodny z odpowiednimi wymaganiami unijnego prawodawstwa harmonizacyjnego / Shoduje se s následující příslušnou evropskou harmonizační legislativou / Соответствует следующим стандартизированным нормам Союза

Directive ATEX / ATEX Directive / ATEX Richtlinie / Directiva ATEX / Direttiva ATEX / Diretiva ATEX / ATEX-Richtlijn / ATEX-direktivet / ATEX-direktivi / Dyrektywa ATEX / Směrnice ATEX / Директива ATEX		2014/34/UE
Procédure d'évaluation de la conformité : Module A Documentation technique (Annexe VIII) archivée par : / Conformity assessment procedure: Module A Technical documentation (ANNEX VIII) recorded by: / Verfahren zur Konformitätsbewertung: Modul A Technische Unterlagen (ANLAGE VIII) archiviert durch: / Procedimiento de evaluación de la conformidad: Módulo A Documentación técnica (ANEXO VIII) archivada por: / Procedura di valutazione della conformità: Modulo A Documentazione tecnica (ALLEGATO VIII) archiviata a cura di: / Procedimento de avaliação da conformidade: Módulo A Documentação técnica (ANEXO VIII) arquivada por: / Conformiteitsbeoordelingsprocedure: Module A Technische documentatie (BIJLAGE VIII) gearhiveerd door: / Förfarande för bedömning av överensstämmelse: Modul A Teknisk dokumentation (BILAGA VIII) arkiverad av: / Vaatimustenmukaisuusarviointimenetelmä: moduuli A Tekninen dokumentaatio (LIITE VIII) arkistoitu: / Procedura oceny zgodności: Moduł A Dokumentacji technicznej (ZAŁĄCZNIK VIII) zarchiwizowane przez: / Postup posuzování shody: Modul A Technická dokumentace (PŘÍLOHA VIII) archivována: / Процедура оценки соответствия: Модуль A Техническая документация (ПРИЛОЖЕНИЕ VIII), архивированная:		
ISSeP Zoning A. Schweitzer Rue de la Platinerie B - 7340 COLFONTAINE BELGIQUE		

Dominique LAGOUGE

Directeur Général / Chief Executive Officer / Generaldirektor  
 / Director General / Direttore Generale / Director Geral / Algemeen  
 Directeur / Generaldirektör / Pääjohtaja / Dyrektor Naczelny  
 / Dyrektor Generalny / Generální ředitel / Генеральный директор

Fait à Stains, le / Established in Stains, on / Geschehen zu Stains, am / En Stains, a / Redatto a Stains, / Vastgesteld te Stains, / Utformat i Stains, den / Stains, Ranska, / Sporządzono w Stains, dnia / Stains, dnia / Издано в г. Стен (Stains) 11/04/2016 - 04/11/2016



## **AIRMIX® PUMP**

### **20-25 FLOWMAX®**

***Disassembly / Reassembly***

### **TRANSLATION FROM THE ORIGINAL MANUAL**

***IMPORTANT : Before assembly and start-up, please read and clearly understand all the documents relating to this equipment (professional use only).***

THE PICTURES AND DRAWINGS ARE NON CONTRACTUAL. WE RESERVE THE RIGHT TO MAKE CHANGES WITHOUT PRIOR NOTICE.

#### **KREMLIN - REXSON**

150, avenue de Stalingrad

93 245 - STAINS CEDEX – France

☎ : 33 (0)1 49 40 25 25      Fax : 33 (0)1 48 26 07 16

**[www.kremlin-rexson.com](http://www.kremlin-rexson.com)**



---

---

**CAUTION :**

Before any action on the pump, shut off the compressed air supply and depressurize the system.

---

---

**The pump is manufactured under the ATEX agreement and can not be modified.  
KREMLIN REXSON will not be held responsible for any failure to comply with that instruction.**

---

---

**DISASSEMBLY / REASSEMBLY OF THE FLUID SECTION**

---

---

**Guards (air motor cover, coupling shields, housings ...) have been designed for safe use of the equipment.  
The manufacturer will not be held responsible for bodily injury or failure and / or damage to property due to removal or partial removal of the guards**

Unscrew fitting (38) and screws (41 and 43) to remove attachment fluid tube (39).

▪ **SUCTION VALVE (REFER TO DOC. 573.115.050)**

Unscrew suction valve (35) by holding cylinder (27).

The ball (22) is secured on the valve (35) by means of a circlips (21).

Clean the parts.

Reinstall suction valve (35) and seal (23). Replace them if necessary.

▪ **EXHAUST VALVE AND MOBILE PACKING**

Unscrew cylinder (27) and pull it downwards.

Unscrew stuffing-box (33) to release GT seal (31) from exhaust valve (34).

Unscrew exhaust valve (34) by holding piston (24).

Remove ball (32).

Clean the parts and reinstall them. Replace them if necessary.

▪ **UPPER TIGHTNESS SEAL**

Unscrew the 4 screws (30).

Remove tightness seal (28) by pulling discharge flange (25) downwards.

Replace tightness seal (28), O-Rings (29 and 11).

Reinstall the parts in the reverse order of the disassembly sequence.

## **DISASSEMBLY / REASSEMBLY OF THE COUPLING (BELLOWS)**

---

---

**Guards (air motor cover, coupling shields, housings ...) have been designed for safe use of the equipment.**  
**The manufacturer will not be held responsible for bodily injury or failure and / or damage to property due to removal or partial removal of the guards**

**Disassemble the fluid section prior to carrying out the following procedure :**

### ▪ **BELLOWS**

Unscrew nuts (14) from the tie-rods.

Remove suction flange (1) and cylinder (2) by pulling them downwards.

Remove screws (12) to disconnect suction bearing (3) from air motor.

Disconnect intermediate piston (9) from air motor rod.

Remove coupling parts.

Remove bellows flange (4) by unscrewing screws (13) to free the upper part of the bellows.

Unscrew skirt (8) to free the lower part of the bellows.

Replace bellows (5).

When installing bellows push it into skirt firmly (8).

Insert intermediate piston (9) into bellows (5) and screw the skirt at the piston end.

Insert bellows and piston (9) into the suction bearing (3).

Install flange (4) in the suction bearing and tighten the whole with screw (13).

Connect bellows-piston set to motor rod and secure the whole on the lower support of the air motor by using screws (12).

Reinstall fluid section piston (24) on intermediate piston (9).

Replace seals (11). Then install cylinder (2) and suction flange (1).

Install the whole on tie-rods and tighten it with nuts (14).

## AIR MOTOR

**Guards (air motor cover, coupling shields, housings ...) have been designed for safe use of the equipment.**

**The manufacturer will not be held responsible for bodily injury or failure and / or damage to property due to removal or partial removal of the guards**

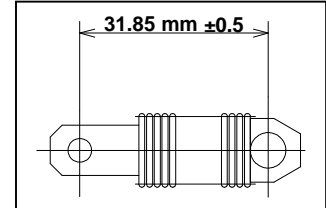
### ■ REVERSING BLOCK (REFER TO DOC. 573.031.050)

Disassemble cover (32) by removing screws (33).

Dissociate female yoke (12) from the reversing block lever (9).

Dismount reversing-block by removing the screws (10 and 8).

Reinstall the new reversing-block in the reverse order of the disassembly sequence.

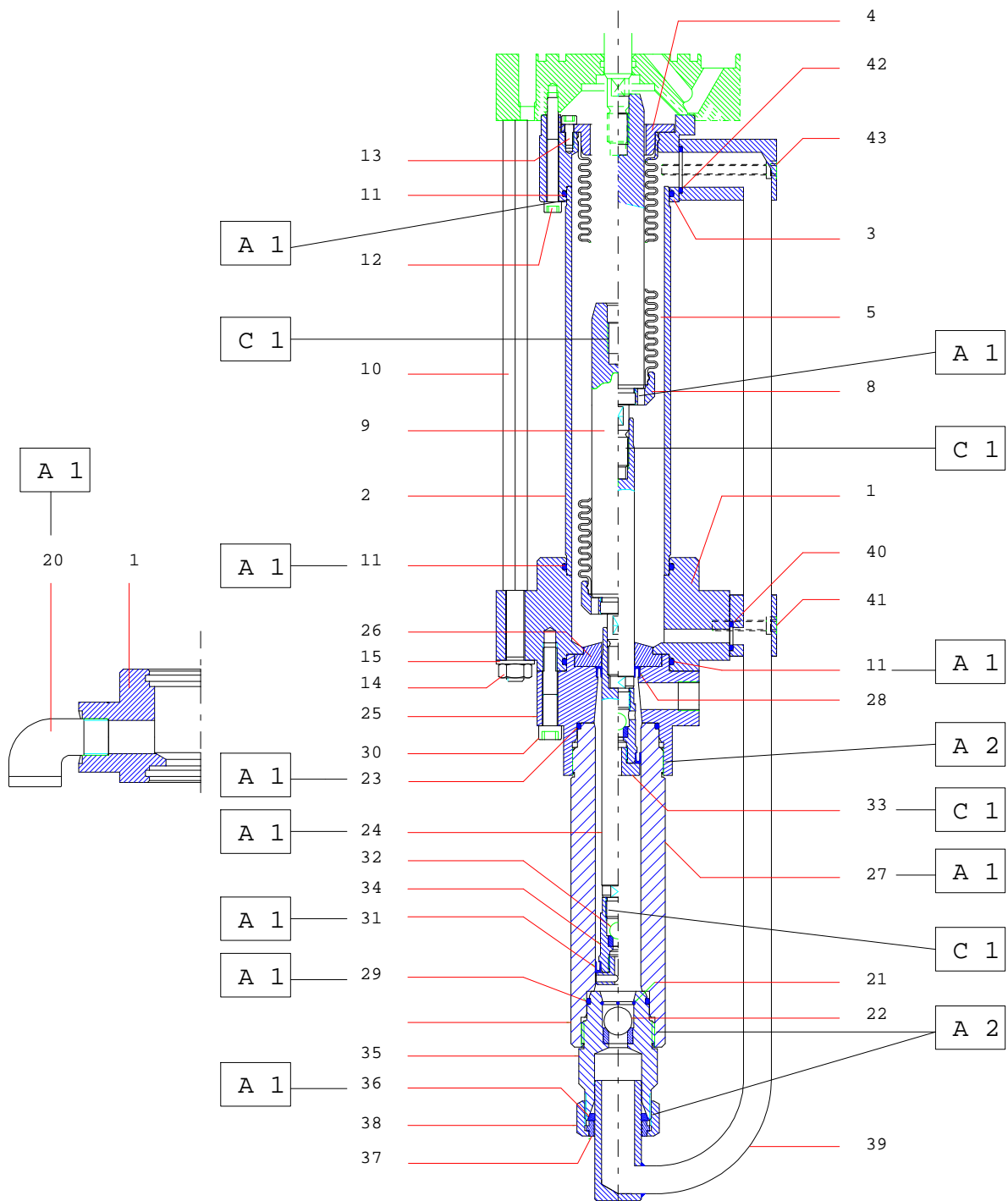


➔ **CAUTION:** the number of spirals must equally be distributed on each fastening parts in order to get the above dimension.

**Before reassembling the different components :**

- Clean the parts with the appropriate cleaning solvent.
- Install new seals if it is necessary, after having lubricated them with PTFE grease.
- Lubricate the piston and the inside of the cylinder to prevent from damaging the seals.
- Install new parts if it is necessary.

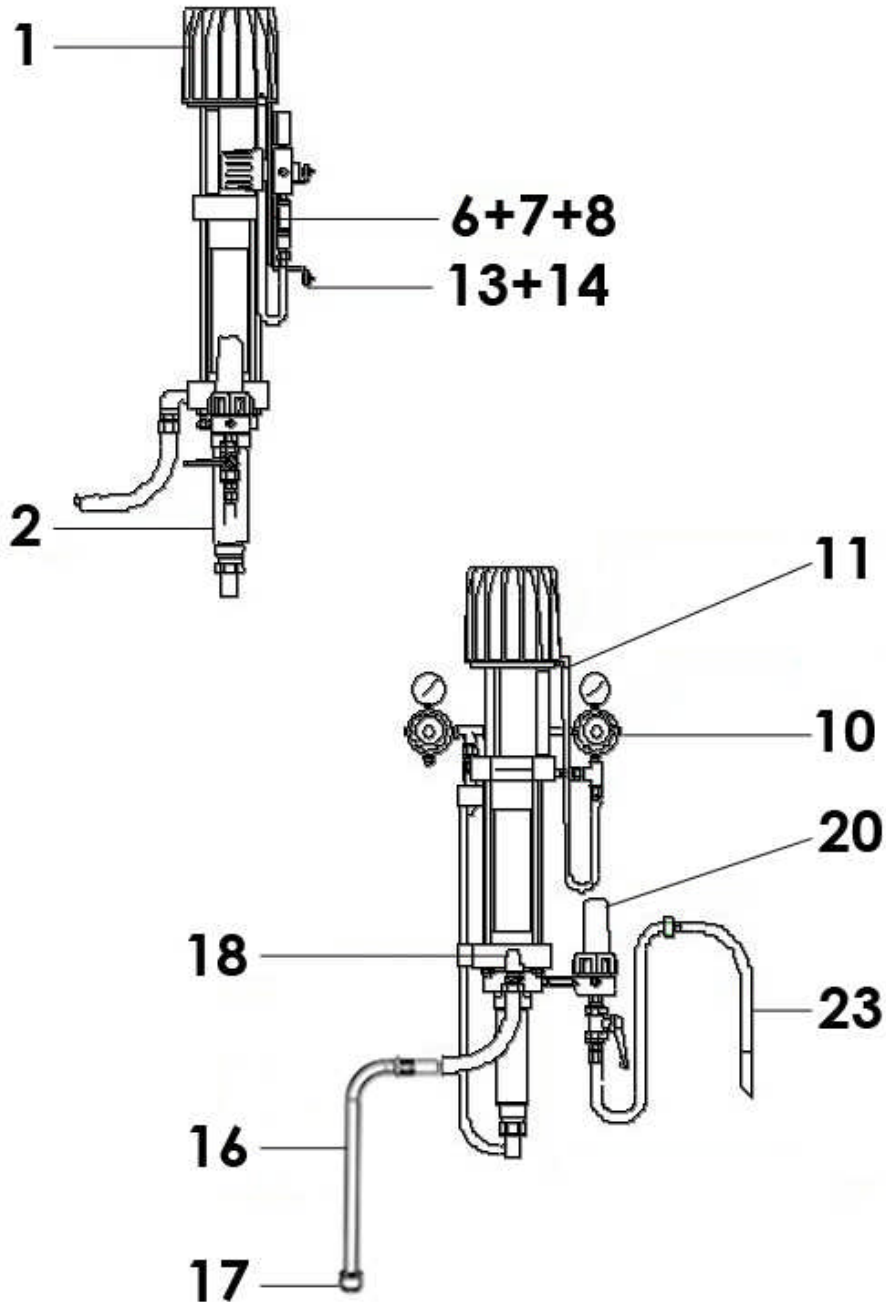
■ ASSEMBLY INSTRUCTIONS



Index	Instruction	Description	Part number
A 1	PTFE grease	PTFE grease (10 ml)	560.440.101
A 2	Anti-seize grease	Grease box (450 g / 99 lb)	560.420.005
C 1	Medium strength Aneorobic Pipe sealant	Loctite 577	-

<b>Doc. 573.122.050</b> Date/Datum/Fecha : 18/02/14 Annule/Cancela/ Ersetzt/Anula : 12/04/12	<b>Modif. / Änderung : # Ind. / Pos. 16</b> (049 596 110 → 149 596 150) + Ind. /Pos. 17 (149 591 400 → 149 596 152) + options / on request / optional / opciones	<b>Pièces de rechange</b> <b>Spare parts list</b> <b>Ersatzteilliste</b> <b>Piezas de repuesto</b>
---	---	---

<b>POMPE FLOWMAX®, modèle 20-25 F</b>	<b>FLOWMAX® PUMP, model 20-25 F</b>
<b>FLOWMAX® PUMPE, Modell 20-25 F</b>	<b>BOMBA FLOWMAX®, tipo 20-25 F</b>





<b>POMPE MURALE, modèle 20-25 F sans filtre</b>	<b>WALL MOUNTED PUMP, model 20-25 F without filter</b>	<b>#</b>  <b>151.771.100</b>
<b>WANDANLAGE, Modell 20-25 F ohne Filter</b>	<b>BOMBA MURAL, tipo 20-25 F sin filtro</b>	

Ind	#	Désignation	Description	Bezeichnung	Denominación	Qté
-	151 771 000	<b>Pompe 20.25 F nue</b>	<b>Bare pump, model 20.25 F</b>	<b>Pumpe 20.25 F, nackt</b>	<b>Bomba sola, tipo 20.25 F</b>	1
*1	146 260 000	▪ Moteur 500-4 (voir Doc. 573.031.050)	▪ Air motor,model 500-4 (refer to Doc. 573.031.050)	▪ Luftmotor 500-4 (siehe Dok. 573.031.050)	▪ Motor, tipo 500-4 (consultar Doc. 573.031.050)	1
*2	144 950 200	▪ Hydraulique FLOWMAX 25 F (voir Doc. 573.115.050)	▪ Fluid section,model FLOWMAX 25 F (refer to Doc. 573.115.050)	▪ FLOWMAX Hydraulikteil 25 F (siehe Dok. 573.115.050)	▪ Hidráulica FLOWMAX 25 F (consultar Doc. 573.115.050)	1
6	051 770 101	Plaque d'interface (montée dans le moteur)	Plate	Befestigungsplatte (in den Motor angebaut)	Placa (montada en el motor)	1
7	933 011 279	Vis M 8 x 20	Screw, M 8 x 20	Schraube M 8 x 20	Tornillo, M 8 x 20	3
8	933 151 147	Vis CHc - M 8 x 10	Screw, CHc - M 8 x 10	Schraube CHc - M 8 x10	Tornillo CHc - M 8 x 10	1
10	151 796 130	<b>Equipement d'air (voir Doc. 573.256.050)</b>	<b>Air supply (refer to Doc. 573.256.050)</b>	<b>Luftausrüstung (siehe Dok. 573.256.050)</b>	<b>Equipo de aire (consultar Doc. 573.256.050)</b>	1
11	905 150 012	Raccord coudé cannelé, M 1/4 BSP - T 8 x 12	Elbow, M 1/4 BSP - T 8 x 12	Winkelnippel, AG 1/4 BSP - T 8 x 12	Racor codo, M 1/4 BSP - T 8 x 12	1
13	963 040 019	Rondelle MN 8	Washer, MN 8	Scheibe MN 8	Arandela, MN 8	2
14	953 010 019	Ecrou HM 8	Nut, HM 8	Mutter HM 8	Tuerca, HM 8	2
16	149 596 150	Canne d'aspiration Ø 25 (Lg. 600 mm)	Suction rod Ø 25 (Length 600 mm)	Saugschlauch Ø 25 (Länge 600 mm)	Caña de aspiración Ø 25 (Longitud 600 mm)	1
17	149 596 152	▪ Crépine Ø 25	▪ Strainer Ø 25	▪ Siebkörbe Ø 25	▪ Piña Ø 25	1
18	050 102 437	Raccord inox M 1/2 BSP - M 26 x 125	Fitting, stainless steel, double male, 1/2 BSP - 26 x 125	Nippel Edelstahl AG 1/2 BSP - M 26 x 1,25	Racor, inox M 1/2 BSP - M 26 x 125	1

<b>POMPE MURALE, modèle 20-25 F avec filtre</b>	<b>WALL MOUNTED PUMP, model 20-25 F with filter</b>	<b>#</b>  <b>151.771.200</b>
<b>WANDANLAGE , Modell 20-25 F mit Filter</b>	<b>BOMBA MURAL, tipo 20-25 F con filtro</b>	

Ind	#	Désignation	Description	Bezeichnung	Denominación	Qté
-	151 771 100	Pompe murale sans filtre	Wall mounted pump without filter	Wandpumpe ohne Filter	Bomba mural sin filtro	1
20	155 580 300	Filtre AIRMIX® inox 3/8 (voir Doc. 573.299.050)	AIRMIX® filter 3/8, stainless steel (refer to Doc. 573.299.050)	AIRMIX® Filter 3/8 Edelstahl (siehe Dok. 573.299.050)	Filtro AIRMIX® inox 3/8 (consultar Doc. 573.299.050)	1
21	055 580 301	Manchon inox MM 3/8 NPT	Sleeve, stainless steel MM 3/8 NPT	Muff Edelstahl AG 3/8 NPT	Manguito inox MM 3/8 NPT	1
23	049 596 000	Canne de purge inox	Drain rod, stainless steel	Entleerungsrohr, Edelstahl	Caña de purga inox	1

<b>POMPE 20-25 F SUR CHARIOT</b>	<b>CART MOUNTED PUMP, model 20-25 F</b>	<b>#</b>  <b>151.771.400</b>
<b>PUMPE 20-25 F FAHRBAR</b>	<b>BOMBA 20-25 F SOBRE CARRETILLA</b>	

Ind	#	Désignation	Description	Bezeichnung	Denominación	Qté
-	151 771 200	Pompe murale avec filtre	Wall mounted pump with filter	Wandpumpe mit Filter	Bomba mural con filtro	1
-	051 221 000	Chariot (2 bras)	Cart (2 arms)	Fahrgestell (2 Arme)	Carretilla (2 brazos)	1
-	056 100 199	Panneau de fixation	Wall bracket unit	Wandplatte	Soporte de fijación	1

### OPTIONS - ON REQUEST - OPTIONEN - OPCIONES

Ind	#	Désignation	Description	Bezeichnung	Denominación	Qté
16	149 596 160	Canne d'aspiration Ø 25 pour fût 200L (Lg. 1m)	Suction rod Ø 25 for drum 200L (Length : 1m)	Saugschlauch Ø 25 für 200L Fass (Länge : 1m)	Caña de aspiración Ø 25 para bidón de 200L (Longitud : 1m)	1
17	149 596 152	▪ Crépine Ø 25	▪ Strainer Ø 25	▪ Siebkörbe Ø 25	▪ Piña Ø 25	1

\* Pièces de maintenance préconisées.

\* Preceding the index number denotes a suggested spare part.

\* Bezeichnete Teile sind empfohlene Ersatzteile.

\* Piezas de mantenimiento preventivas.

*Nota : Dans le cas d'une pompe nue pour fixation murale, commander la pompe nue et le support réf. 044.910.121 (rep. 1 - Doc. 573.256.050)*

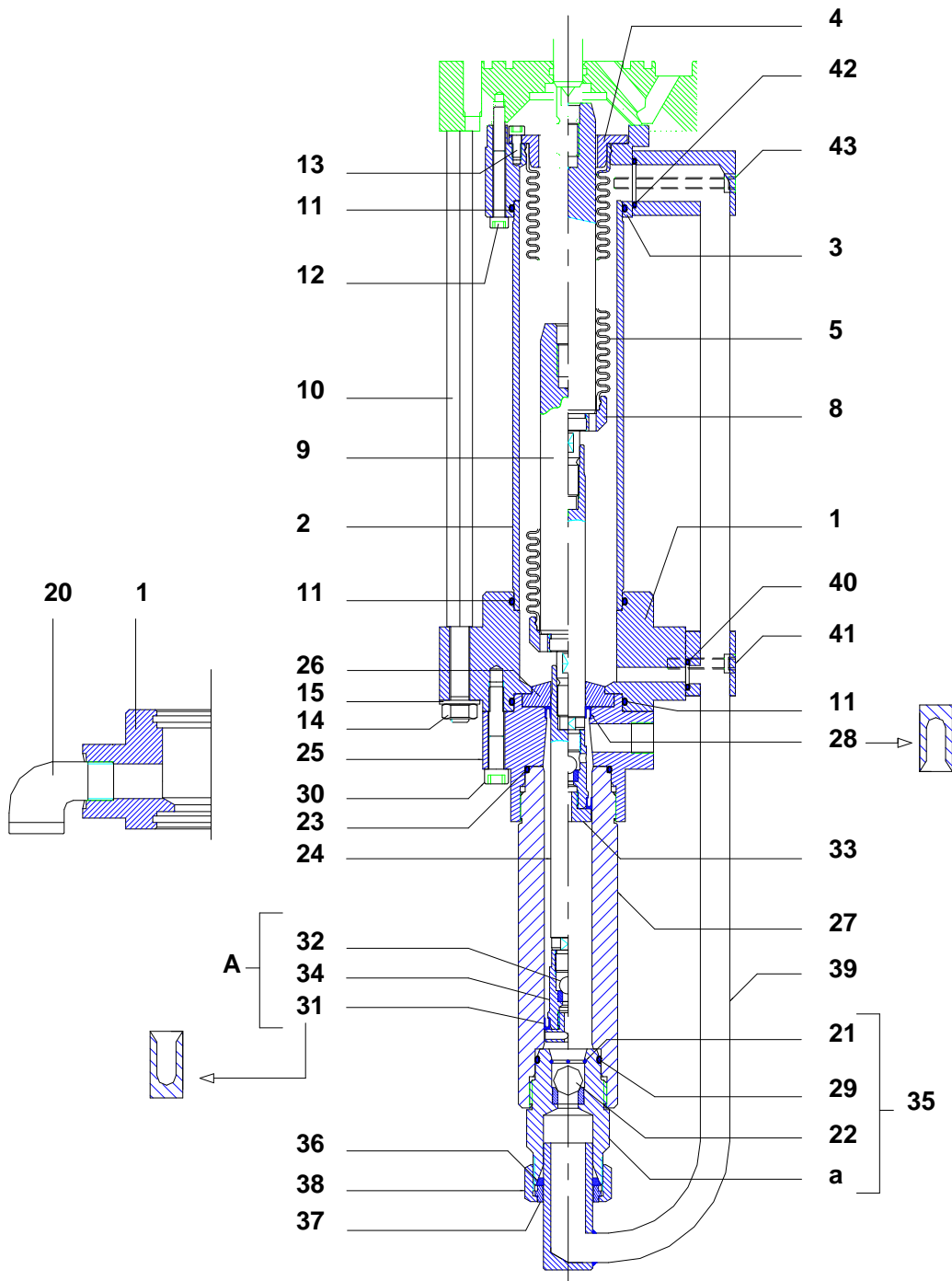
*Nota : For a bare pump with wall bracket, order pump only and bracket - P.N°. 044.910.121 (ind. 1 - Doc. 573.256.050)*

*Hinweis : Für eine nackte Pumpe mit Wandhalterung bestellen Sie die nackte Pumpe und die Halterung Bestell-Nr. 044.910.121 (Pos. 1 - Dok. 573.256.050)*

*Nota : En caso de una bomba sola con fijación mural, encargue Vd. la bomba sola y el soporte con la referencia 044.910.121 (índ. 1 - Doc. 573.256.050).*

<b>Doc. 573.115.050</b> Date/Datum/Fecha : 12/03/12 Annule/Cancela/ Ersetzt/Anula : 29/11/06	<b>Modif. /Änderung :</b> Mise à jour / Update / Aktualisierung / Actualización	<b>Pièces de rechange</b> <b>Spare parts list</b> <b>Ersatzteilliste</b> <b>Piezas de repuesto</b>
---	---	---

<b>25 F</b>	<b>HYDRAULIQUE FLOWMAX® / FLOWMAX® FLUID SECTION</b> <b>FLOWMAX® HYDRAULIKTEIL / HIDRÁULICA FLOWMAX®</b>	<b>#</b> <b>144.950.200</b>
-------------	---	--------------------------------



**HYDRAULIQUE 25 F INOX / FLUID SECTION, model 25 F, STAINLESS STEEL  
HYDRAULIKTEIL 25 F EDELSTAHL / HIDRÁULICA 25 F INOX**

**#  
144.950.200**

Ind	#	Désignation	Description	Bezeichnung	Denominación	Qté
1	044.970.451	Bride d'aspiration	Suction flange	Unterer Flansch	Brida de aspiración	1
2	044.970.052	Cylindre	Cylinder	Ansaugzylinder	Cilindro	1
3	044.970.445	Palier d'aspiration	Suction bearing	Oberer Flansch	Palier de aspiración	1
4	044.970.046	Bride soufflet	Flange, bellows	Faltenbalg-Flansch	Brida fuelle	1
* 5	044.970.055	Soufflet	Bellows	Faltenbalg	Fuelle	1
8	044.970.047	Jupe	Skirt	Klemmstück	Faldón	1
9	044.970.049	Piston intermédiaire	Piston, intermediate	Zwischenkolben	Pistón intermediario	1
10	044.970.060	Tirant d'accouplement	Coupling rod	Steuerstange	Tirante de acoplamiento	4
11	050.040.323	Joint PTFE	Seal, PTFE	Dichtung PTFE	Junta PTFE	3
12	930.151.598	Vis CHc M 6x60	Screw, CHc M 6x60	Schraube M 6x60	Tornillo CHc M 6x60	4
13	931.151.168	Vis CHc M 5x12	Screw, CHc M 5x12	Schraube M 5x12	Tornillo CHc M 5x12	4
14	953.020.021	Ecrou HM 10	Nut, HM 10	Mutter M 10	Tuerca HM 10	4
15	963.040.021	Rondelle M 10	Washer, M 10	Scheibe M 10	Arandela Z M 10	4
20	905.210.403	Coude inox MF 1/2	Elbow, stainless steel, MF 1/2	Bogen AG 1/2 - IG 1/2 Edelstahl	Codo MH 1/2 inox	1
23	050.040.317	Joint PTFE	Seal, PTFE	Dichtung PTFE	Junta PTFE	1
* 24	044.950.201	Piston	Piston	Kolben	Pistón	1
25	044.950.202	Bride de refoulement	Discharge flange	Druckflansch	Brida de expulsión	1
26	044.950.203	Bride joint GT	Flange, GT seal	GT-Dichtungsflansch	Brida junta GT	1
* 27	044.950.002	Cylindre	Cylinder	Materialzylinder	Cilindro	1
28	909.150.212	Joint GT supérieur	GT seal, upper	Oberer GT-Dichtung	Junta GT superior	1
30	933.151.526	Vis CHc M 8x45	Screw, CHc M 8x45	Schraube M 8x45	Tornillo CHc M 8x45	4
33	044.950.007	Presse garniture refoulement	Stuffing-box, discharge	Kolbenmanschette	Prensa guarnición expulsión	1
<b>* A</b>	<b>144.950.500</b>	<b>Ensemble clapet de refoulement</b>	<b>Exhaust valve kit</b>	<b>Absaugventil komplett</b>	<b>Kit válvula de expulsión</b>	<b>1</b>
31	909.150.214	▪ Joint GT inférieur	▪ GT seal, lower	▪ Unterer GT- Dichtung	▪ Junta GT inferior	1
32	907.414.223	▪ Bille Ø 9,52, inox 440 C	▪ Ball Ø 9,52, stainless steel, 440 C	▪ Kugel Ø 9,52 Edelstahl	▪ Bola Ø 9,52, inox 440 C	1
34	044.950.215	▪ Clapet de refoulement	▪ Exhaust valve	▪ Absaugventil	▪ Válvula de expulsión	1
<b>* 35</b>	<b>044.950.225</b>	<b>Clapet d'aspiration assemblé</b>	<b>Suction valve assembly</b>	<b>Ansaugventil komplett</b>	<b>Válvula de aspiración montada</b>	<b>1</b>
a	NCS / NSS	▪ Corps de clapet	▪ Suction valve body	▪ Ansaugventilkörper	▪ Cuerpo de válvula	1
21	044.550.029	▪ Jonc	▪ Rush	▪ Sicherungsring	▪ Anillo de retención bola	1
22	907.414.242	▪ Bille Ø 16, inox 440C	▪ Ball Ø 16, stainless steel 440C	▪ Kugel Ø 16, Edelstahl	▪ Bola Ø 16, inox 440C	1
29	050.040.318	▪ Joint torique PTFE	▪ O Ring PTFE	▪ O-Ring PTFE	▪ Junta torica PTFE	1

Ind	#	Désignation	Description	Bezeichnung	Denominación	Qté
36	144.970.106	Joint (les 10)	Seal (pack of 10)	O-Ring (10 St.)	Junta (bolsa de 10)	1
37	044.970.107	Bague de serrage	Tightening ring	Klemmring	Anillo de aprete	1
38	049.595.306	Ecrou raccord M 38x150	Nut, fitting M 38x150	Überwurfmutter AG M 38x1,5	Tuerca racor M 38x150	1
39	044.950.271	Tube de liaison avec vis (ind. 41&43)	Fluid tube, attachment with screws (ind. 41&43)	Verbindungsrohr mit Schrauben (ind. 41&43)	Tubo de unión con tornillos (ind. 41&43)	1
40	129.489.902	Joint PTFE (les 10)	Seal, PTFE (pack of 10)	Dichtung PTFE (10 St.)	Junta PTFE (bolsa de 10)	1
41	933.151.196	Vis CHc M 6x16	Screw, CHc M 6x16	Schraube M 6x16	Tornillo CHc M 6x16	2
42	150.040.321	Joint PTFE (les 10)	Seal, PTFE (pack of 10)	Dichtung PTFE (10 St.)	Junta PTFE (bolsa de 10)	1
43	933.151.196	Vis CHc M 6x16	Screw, CHc M 6x16	Schraube M 6x16	Tornillo CHc M 6x16	2

Ind	#	Désignation	Description	Bezeichnung	Denominación	Qté
*	144.950.291	Pochette de joints (ind. 11, 21, 22, 23, 28, 29, 31, 32, 36, 40, 42)	Package of seals (ind. 11, 21, 22, 23, 28, 29, 31, 32, 36, 40, 42)	Dichtungssatz (beinhaltet Pos. 11, 21, 22, 23, 28, 29, 31, 32, 36, 40, 42)	Bolsa de juntas (ind. 11, 21, 22, 23, 28, 29, 31, 32, 36, 40, 42)	1
*	144.950.292	Pochette de maintenance (ind. 34, 35 + pochette de joints)	Servicing kit (ind. 34, 35 + package of seals)	Servicekit (beinhaltet Pos. 34, 35 und den Dichtungssatz)	Bolsa de reparación (ind. 34, 35 + bolsa de juntas)	1

\* Pièces de maintenance préconisées tenues en stock.

\* Preceding the index number denotes a suggested spare part.

\* Bezeichnete Teile sind empfohlene Ersatzteile.

\* Piezas de mantenimiento preventivas a tener en stock.

N C S : Non commercialisé seul.

N S S : Denotes parts are not serviceable separately.

N S S : bezeichnete Teile gibt nicht einzeln, sondern nur  
komplett

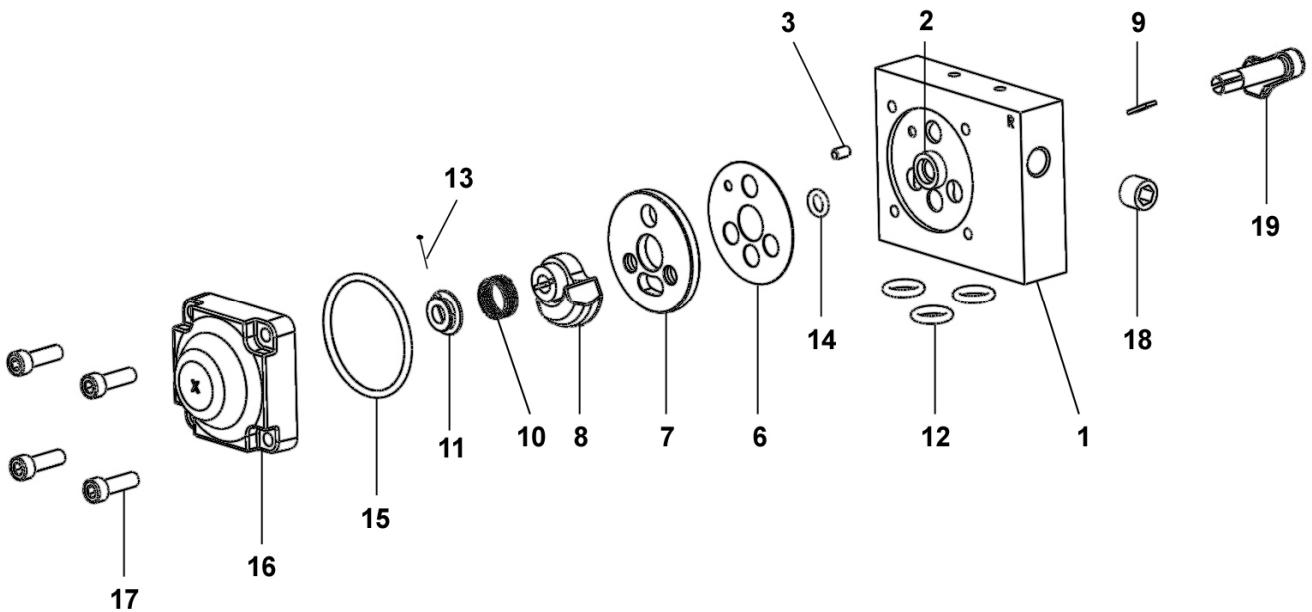
N S S : no suministrado por separado.

### EN OPTION / OPTIONAL / OPTION / OPCIÓN

Ind	#	Désignation	Description	Bezeichnung	Denominación	Qté
22	907.414.142	Bille Ø 16 inox 316L	Ball Ø 16, 316L (stainless steel)	Kugel Ø 16, (Edelstahl 316L)	Bola Ø 16, inox 316L	1
32	907.414.623	Bille Ø 9,52 inox 316L	Ball Ø 9,52, 316L (stainless steel)	Kugel Ø 9,52, (Edelstahl 316L)	Bola Ø 9,52, inox 316L	1

<b>Doc. 573.087.040</b> Date/Datum/Fecha : 03/06/14 Annule/Cancel/ Ersetzt/Anula : 03/01/14	<b>Modif. / Änderung :</b> Eclaté / Exploded view / Explosions- zeichnung / Vista	<b>Pièces de rechange</b> <b>Spare parts list</b> <b>Ersatzteilliste</b> <b>Piezas de repuesto</b>
--	---	---

<b>BLOC INVERSEUR</b>	<b>REVERSING-BLOCK</b>	<b>#</b>
<b>UMSTUEURBLOCK</b>	<b>BLOQUE INVERSOR</b>	<b>044.630.400</b>



<b>BLOC INVERSEUR</b>	<b>REVERSING-BLOCK</b>	<b>#</b>  <b>044.630.400</b>
<b>UMSTUEURBLOCK</b>	<b>BLOQUE INVERSOR</b>	

Ind	#	Désignation	Description	Bezeichnung	Denominación	Qté
*	144 630 410	Corps équipé	Block assembly, reversing	Umsteuerblock komplett	Cuerpo equipado	1
1	N C / N S	▪ Corps	▪ Body	▪ Körper	▪ Cuerpo	1
2	N C / N S	▪ Bague de guidage	▪ Guide ring	▪ Führungsbuchse	▪ Anillo guía	1
3	N C / N S	▪ Goupille Ø 4 x 8	▪ Pin Ø 4 x 8	▪ Splint Ø4 x 8	▪ Pasador Ø 4 x 8	1
-	N C / N S	▪ Butée (collée sur corps ind.2)	▪ Stop (glued on part ind. 2)	▪ Anschlag (auf Körper geklebt ind.2)	▪ Tope (pegado en cuerpo ind. 2)	2
-	N C / N S	▪ Roulement à bille	▪ Ball bearing	▪ Kugellager	▪ Rodamiento de bolas	1
*6	144 579 912	Joint de glace fixe (x 10)	Gasket seal (x 10)	Flachdichtung (x 10)	Junta de espejo fijo (x 10)	1
*7	046 170 508	Glace fixe	Base, fixed	Ventilplatte	Espejo fijo	1
*8	044 570 324	Glace mobile	Base, mobile	Ventilschieber	Espejo móvil	1
9	044 570 325	Clavette	Pin	Paßfeder (Keil)	Pasador	1
10	921 140 102	Ressort	Spring	Feder	Muelle	1
11	044 571 006	Butée de ressort	Stop, spring	Federführung	Tope de muelle	1
*12	144 579 922	Bague R 10 (x 10)	Ring, R 10 (x 10)	O Ring R 10 (x 10)	Anillo, R 10 (x 10)	3
*13	144 579 911	Goupille fendue (pochette de 10 goupilles + 1 butée ind. 11)	Pin (package of 10 pins + 1 stop ind. 11)	Splint (Satz à 10 Stück + 1 Führung Pos. 11)	Pasador (bolsa de 10 pasadores + 1 tope ind. 11)	1
*14	144 579 910	Bague R 6a (x 10)	Ring, R 6a (x 10)	O Ring, R 6a (x 10)	Anillo, R 6a (x 10)	1
*15	N C / N S	Joint de couvercle	Seal, cover	Deckeldichtung	Junta de tapa	1
16	144 630 415	Couvercle	Cover	Deckel	Tapa	1
17	933 151 277	Vis CHc M 6x20	Screw, CHc M 6x20	Schraube, CHc M 6x20	Tornillo, CHc M 6x20	4
18	906 333 102	Bouchon 1/4 BSP	Plug, 1/4 BSP	Blindstopfen, 1/4 BSP	Tapón, 1/4 BSP	1
19	046 170 510	Levier	Lever, control	Umsteuerhebel	Leva	1

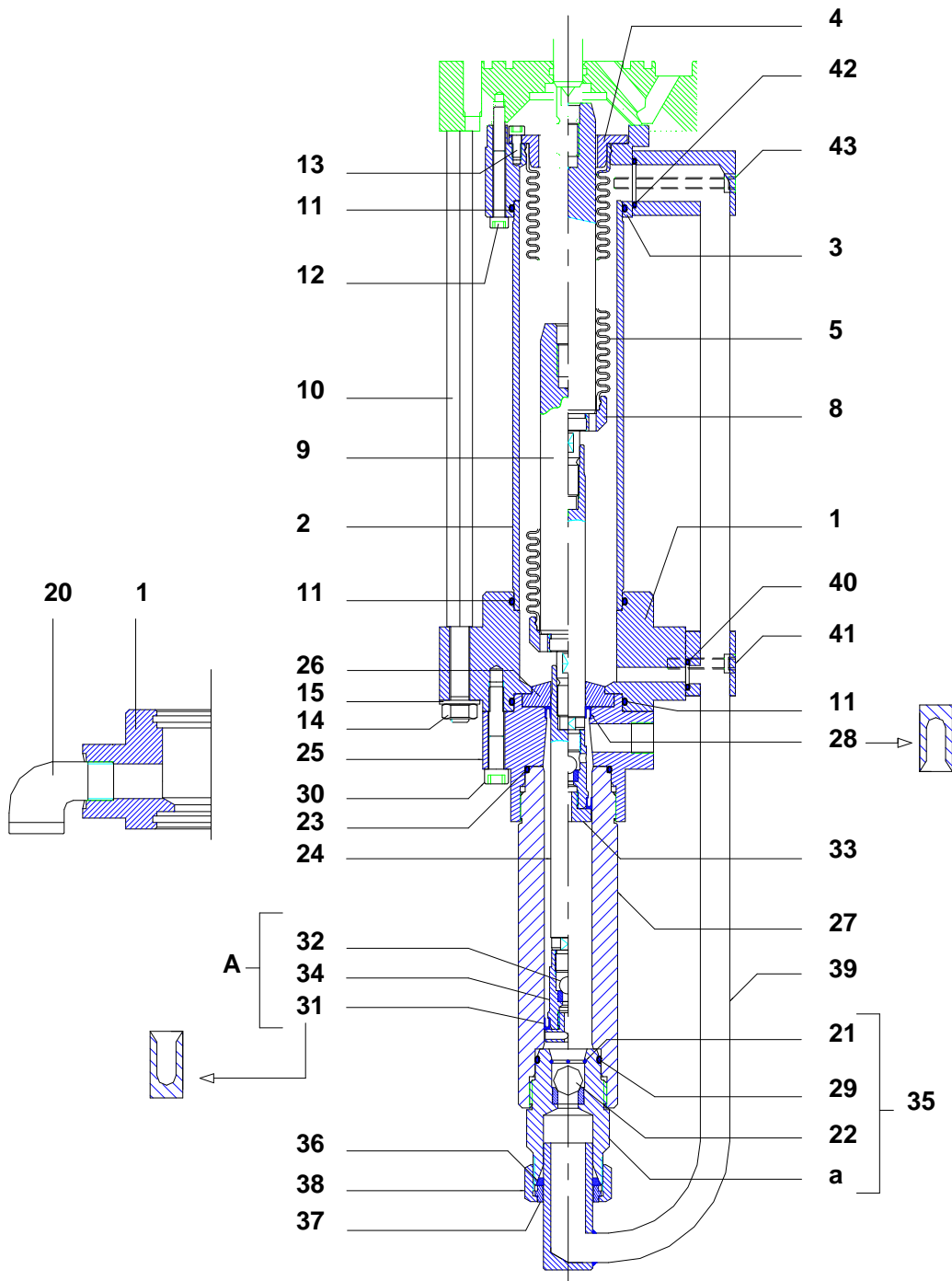
*	<b>146 270 950</b>	<b>Pochette de joints (ind. 6, 12(x3), 14, 15)</b>	<b>Package of seals (ind. 6, 12(x3), 14, 15)</b>	<b>Dichtungssatz (bestehend aus Pos. 6, 12(x3), 14, 15)</b>	<b>Bolsa de juntas (ind. 6, 12(x3), 14, 15)</b>	<b>1</b>
*	<b>144 630 425</b>	<b>Pochette de maintenance glaces (ind. 7, 8)</b>	<b>Servicing kit - bases (ind. 7, 8)</b>	<b>Servicekit - Ventil (Pos. 7, 8)</b>	<b>Bolsa de mantenimiento - espejos (ind. 7, 8)</b>	<b>1</b>

- \* Pièces de maintenance préconisées.
- \* Preceding the index number denotes a suggested spare part.
- \* Bezeichnete Teile sind empfohlene Ersatzteile.
- \* Piezas de mantenimiento preventivas.

- N C : Non commercialisé.
- N S : Denotes parts are not serviceable.
- N S : Bezeichnete Teile gibt es nicht einzeln, sondern nur komplett .
- N S : no suministrado.

<b>Doc. 573.115.050</b> Date/Datum/Fecha : 12/03/12 Annule/Cancela/ Ersetzt/Anula : 29/11/06	<b>Modif. /Änderung :</b> Mise à jour / Update / Aktualisierung / Actualización	<b>Pièces de rechange</b> <b>Spare parts list</b> <b>Ersatzteilliste</b> <b>Piezas de repuesto</b>
---	---	---

<b>25 F</b>	<b>HYDRAULIQUE FLOWMAX® / FLOWMAX® FLUID SECTION</b> <b>FLOWMAX® HYDRAULIKTEIL / HIDRÁULICA FLOWMAX®</b>	<b>#</b> <b>144.950.200</b>
-------------	---	--------------------------------





**HYDRAULIQUE 25 F INOX / FLUID SECTION, model 25 F, STAINLESS STEEL  
HYDRAULIKTEIL 25 F EDELSTAHL / HIDRÁULICA 25 F INOX**

**#  
144.950.200**

Ind	#	Désignation	Description	Bezeichnung	Denominación	Qté
1	044.970.451	Bride d'aspiration	Suction flange	Unterer Flansch	Brida de aspiración	1
2	044.970.052	Cylindre	Cylinder	Ansaugzylinder	Cilindro	1
3	044.970.445	Palier d'aspiration	Suction bearing	Oberer Flansch	Palier de aspiración	1
4	044.970.046	Bride soufflet	Flange, bellows	Faltenbalg-Flansch	Brida fuelle	1
* 5	044.970.055	Soufflet	Bellows	Faltenbalg	Fuelle	1
8	044.970.047	Jupe	Skirt	Klemmstück	Faldón	1
9	044.970.049	Piston intermédiaire	Piston, intermediate	Zwischenkolben	Pistón intermediario	1
10	044.970.060	Tirant d'accouplement	Coupling rod	Steuerstange	Tirante de acoplamiento	4
11	050.040.323	Joint PTFE	Seal, PTFE	Dichtung PTFE	Junta PTFE	3
12	930.151.598	Vis CHc M 6x60	Screw, CHc M 6x60	Schraube M 6x60	Tornillo CHc M 6x60	4
13	931.151.168	Vis CHc M 5x12	Screw, CHc M 5x12	Schraube M 5x12	Tornillo CHc M 5x12	4
14	953.020.021	Ecrou HM 10	Nut, HM 10	Mutter M 10	Tuerca HM 10	4
15	963.040.021	Rondelle M 10	Washer, M 10	Scheibe M 10	Arandela Z M 10	4
20	905.210.403	Coude inox MF 1/2	Elbow, stainless steel, MF 1/2	Bogen AG 1/2 - IG 1/2 Edelstahl	Codo MH 1/2 inox	1
23	050.040.317	Joint PTFE	Seal, PTFE	Dichtung PTFE	Junta PTFE	1
* 24	044.950.201	Piston	Piston	Kolben	Pistón	1
25	044.950.202	Bride de refoulement	Discharge flange	Druckflansch	Brida de expulsión	1
26	044.950.203	Bride joint GT	Flange, GT seal	GT-Dichtungsflansch	Brida junta GT	1
* 27	044.950.002	Cylindre	Cylinder	Materialzylinder	Cilindro	1
28	909.150.212	Joint GT supérieur	GT seal, upper	Oberer GT-Dichtung	Junta GT superior	1
30	933.151.526	Vis CHc M 8x45	Screw, CHc M 8x45	Schraube M 8x45	Tornillo CHc M 8x45	4
33	044.950.007	Presse garniture refoulement	Stuffing-box, discharge	Kolbenmanschette	Prensa guarnición expulsión	1
<b>* A</b>	<b>144.950.500</b>	<b>Ensemble clapet de refoulement</b>	<b>Exhaust valve kit</b>	<b>Absaugventil komplett</b>	<b>Kit válvula de expulsión</b>	<b>1</b>
31	909.150.214	▪ Joint GT inférieur	▪ GT seal, lower	▪ Unterer GT- Dichtung	▪ Junta GT inferior	1
32	907.414.223	▪ Bille Ø 9,52, inox 440 C	▪ Ball Ø 9,52, stainless steel, 440 C	▪ Kugel Ø 9,52 Edelstahl	▪ Bola Ø 9,52, inox 440 C	1
34	044.950.215	▪ Clapet de refoulement	▪ Exhaust valve	▪ Absaugventil	▪ Válvula de expulsión	1
<b>* 35</b>	<b>044.950.225</b>	<b>Clapet d'aspiration assemblé</b>	<b>Suction valve assembly</b>	<b>Ansaugventil komplett</b>	<b>Válvula de aspiración montada</b>	<b>1</b>
a	NCS / NSS	▪ Corps de clapet	▪ Suction valve body	▪ Ansaugventilkörper	▪ Cuerpo de válvula	1
21	044.550.029	▪ Jonc	▪ Rush	▪ Sicherungsring	▪ Anillo de retención bola	1
22	907.414.242	▪ Bille Ø 16, inox 440C	▪ Ball Ø 16, stainless steel 440C	▪ Kugel Ø 16, Edelstahl	▪ Bola Ø 16, inox 440C	1
29	050.040.318	▪ Joint torique PTFE	▪ O Ring PTFE	▪ O-Ring PTFE	▪ Junta torica PTFE	1

Ind	#	Désignation	Description	Bezeichnung	Denominación	Qté
36	144.970.106	Joint (les 10)	Seal (pack of 10)	O-Ring (10 St.)	Junta (bolsa de 10)	1
37	044.970.107	Bague de serrage	Tightening ring	Klemmring	Anillo de aprete	1
38	049.595.306	Ecrou raccord M 38x150	Nut, fitting M 38x150	Überwurfmutter AG M 38x1,5	Tuerca racor M 38x150	1
39	044.950.271	Tube de liaison avec vis (ind. 41&43)	Fluid tube, attachment with screws (ind. 41&43)	Verbindungsrohr mit Schrauben (ind. 41&43)	Tubo de unión con tornillos (ind. 41&43)	1
40	129.489.902	Joint PTFE (les 10)	Seal, PTFE (pack of 10)	Dichtung PTFE (10 St.)	Junta PTFE (bolsa de 10)	1
41	933.151.196	Vis CHc M 6x16	Screw, CHc M 6x16	Schraube M 6x16	Tornillo CHc M 6x16	2
42	150.040.321	Joint PTFE (les 10)	Seal, PTFE (pack of 10)	Dichtung PTFE (10 St.)	Junta PTFE (bolsa de 10)	1
43	933.151.196	Vis CHc M 6x16	Screw, CHc M 6x16	Schraube M 6x16	Tornillo CHc M 6x16	2

Ind	#	Désignation	Description	Bezeichnung	Denominación	Qté
*	144.950.291	Pochette de joints (ind. 11, 21, 22, 23, 28, 29, 31, 32, 36, 40, 42)	Package of seals (ind. 11, 21, 22, 23, 28, 29, 31, 32, 36, 40, 42)	Dichtungssatz (beinhaltet Pos. 11, 21, 22, 23, 28, 29, 31, 32, 36, 40, 42)	Bolsa de juntas (ind. 11, 21, 22, 23, 28, 29, 31, 32, 36, 40, 42)	1
*	144.950.292	Pochette de maintenance (ind. 34, 35 + pochette de joints)	Servicing kit (ind. 34, 35 + package of seals)	Servicekit (beinhaltet Pos. 34, 35 und den Dichtungssatz)	Bolsa de reparación (ind. 34, 35 + bolsa de juntas)	1

\* Pièces de maintenance préconisées tenues en stock.

\* Preceding the index number denotes a suggested spare part.

\* Bezeichnete Teile sind empfohlene Ersatzteile.

\* Piezas de mantenimiento preventivas a tener en stock.

N C S : Non commercialisé seul.

N S S : Denotes parts are not serviceable separately.

N S S : bezeichnete Teile gibt nicht einzeln, sondern nur  
komplett

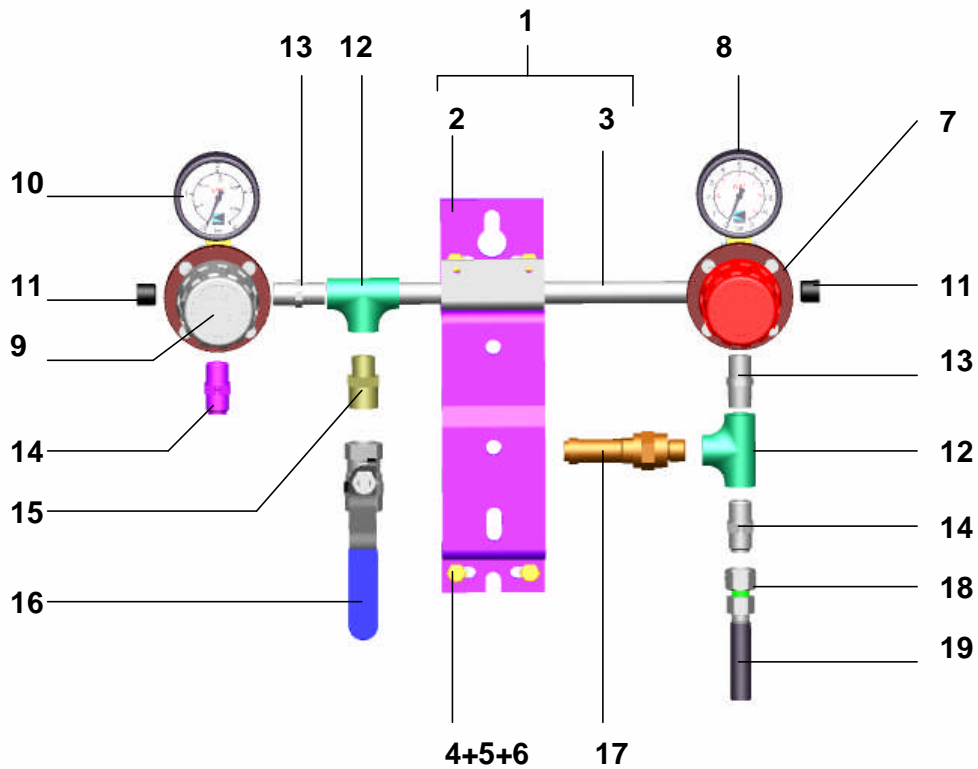
N S S : no suministrado por separado.

### EN OPTION / OPTIONAL / OPTION / OPCIÓN

Ind	#	Désignation	Description	Bezeichnung	Denominación	Qté
22	907.414.142	Bille Ø 16 inox 316L	Ball Ø 16, 316L (stainless steel)	Kugel Ø 16, (Edelstahl 316L)	Bola Ø 16, inox 316L	1
32	907.414.623	Bille Ø 9,52 inox 316L	Ball Ø 9,52, 316L (stainless steel)	Kugel Ø 9,52, (Edelstahl 316L)	Bola Ø 9,52, inox 316L	1

<p><b>Doc. 573.256.050</b>  Date/Datum/Fecha : 09/06/11  Annule/Cancel/  Ersetzt/Anula : 08/06/02</p>	<p><b>Modif. /Änderung :</b> Mise à jour /  Update / Aktualisierung /  Actualización</p>	<p><b>Pièces de rechange</b>  <b>Spare parts list</b>  <b>Ersatzteilliste</b>  <b>Piezas de repuesto</b></p>
---	--	--

<p><b>EQUIPEMENT D'AIR pour pompes</b>  <b>AIRMIX ®</b></p>	<p><b>AIR SUPPLY for AIRMIX ® pumps</b></p>
<p><b>LUFTAUSRÜSTUNG für AIRMIX</b>  <b>-Pumpen ®</b></p>	<p><b>EQUIPO DE AIRE para bombas AIRMIX ®</b></p>



<b>Equipement d'air</b>	<b>Air supply</b>	<b>#</b>  <b>151.796.130</b>
<b>Luftausrüstung</b>	<b>Equipo de aire</b>	

Ind	#	Désignation	Description	Bezeichnung	Denominación	Qté
1	044.910.121	Support pompe équipé	Pump bracket assembly	Komplette Pumpenhalterung	Soporte bomba equipado	1
2	044.910.122	▪ Support pompe	▪ Pump bracket	▪ Pumpenhalterung	▪ Soporte de bomba	1
3	051.751.011	▪ Support équipement d'air	▪ Air supply bracket	▪ Luftausrüstungshalterung	▪ Soporte equipo de aire	1
4	933.011.196	▪ Vis HM 6 x 16	▪ Screw, HM 6 x 16	▪ Schraube HM 6 x16	▪ Tornillo HM 6 x 16	6
5	953.010.016	▪ Erou HM 6	▪ Nut, HM 6	▪ Mutter HM 6	▪ Tuerca HM 6	6
6	963.040.016	▪ Rondelle M 6	▪ Washer, M 6	▪ Scheibe M 6	▪ Arandela M 6	6
7	016.370.000	Détendeur d'air 1/4 - 5,5 bar - volant rouge	Air regulator, 1/4 - 5,5 bar / 79.77 psi - red knob	Druckminderer, 1/4 - 5,5 bar (rote Stellglocke)	Manorreductor, 1/4 - 5,5 bar (rojo)	1
8	910.011.402	Manomètre 0 - 10 bar	Gauge 0 - 10 bar / 0 - 145 psi	Manometer, 0-10 bar	Manometro, 0-10 bar	1
9	016.380.000	Détendeur d'air 1/4 - 3,5 bar - volant gris	Air regulator, 1/4 - 3,5 bar / 50.76 psi - grey knob	Druckminderer, 1/4 - 3,5 bar (graue Stellglocke)	Manorreductor, 1/4 - 3,5 bar (gris)	1
10	910.011.404	Manomètre 0 - 4 bar	Gauge 0 -4 bar / 0- 58 psi	Manometer, 0-4 bar	Manometro, 0-4 bar	1
11	906.333.102	Bouchon 8 x 13	Plug, 8 x 13	Blindstopfen, 8 x 13	Tapón, 8 x 13	2
12	904.303.002	Té F 1/4 BSP	Tee, F 1/4 BSP	T-Stück , F 1/4 BSP	Te, H 1/4 BSP	2
13	050.102.213	Raccord MM 1/4 BSP	Fitting, double male, 1/4 BSP	Doppelnippel, M 1/4 BSP	Racor, MM 1/4 BSP	2
14	050.102.624	Raccord M 1/4 BSP - M 1/4 NPS	Fitting, double male, 1/4 BSP - 1/4 NPS	Doppelnippel, AG 1/4 BSP - 1/4 NPS	Racor, MM 1/4 BSP - 1/4 NPS	2
15	904.523.003	Raccord M 1/4 BSP - M 3/8 BSP	Fitting, double male, 1/4 BSP - 3/8 BSP	Doppelnippel, 1/4 BSP - 3/8 BSP	Racor, MM 1/4 BSP- 3/8 BSP	1
16	903.090.206	Robinet F 3/8	Valve, F 3/8	Absperrhahn, F 3/8	Grifo, H 3/8	1
17	903.080.401	Soupape de décharge - tarage 6,5 bar	Discharge valve - setting 6,5 bar /94 psi	Sicherheitsventil - eingestellt 6,5 bar	Válvula de seguridad - tarado 6,5 bar	1
18	050.231.702	Raccord F 1/4 NPS	Adaptor F 1/4 NPS	DoppelnippelIG 1/4 NPS	Racor H 1/4 NPS	1
19	539.310.101	Tuyau 8 x 12 (lg. 0,45 m)	Hose 8 x 12 (lg. 0,45 m / 18 ")	Schlauch 8 x 12 (L :. 0,45 m)	Tubería, 8 x 12 (lg. 0,45 m)	1

Nota : Pour les références commençant par 5, préciser la longueur à la commande.

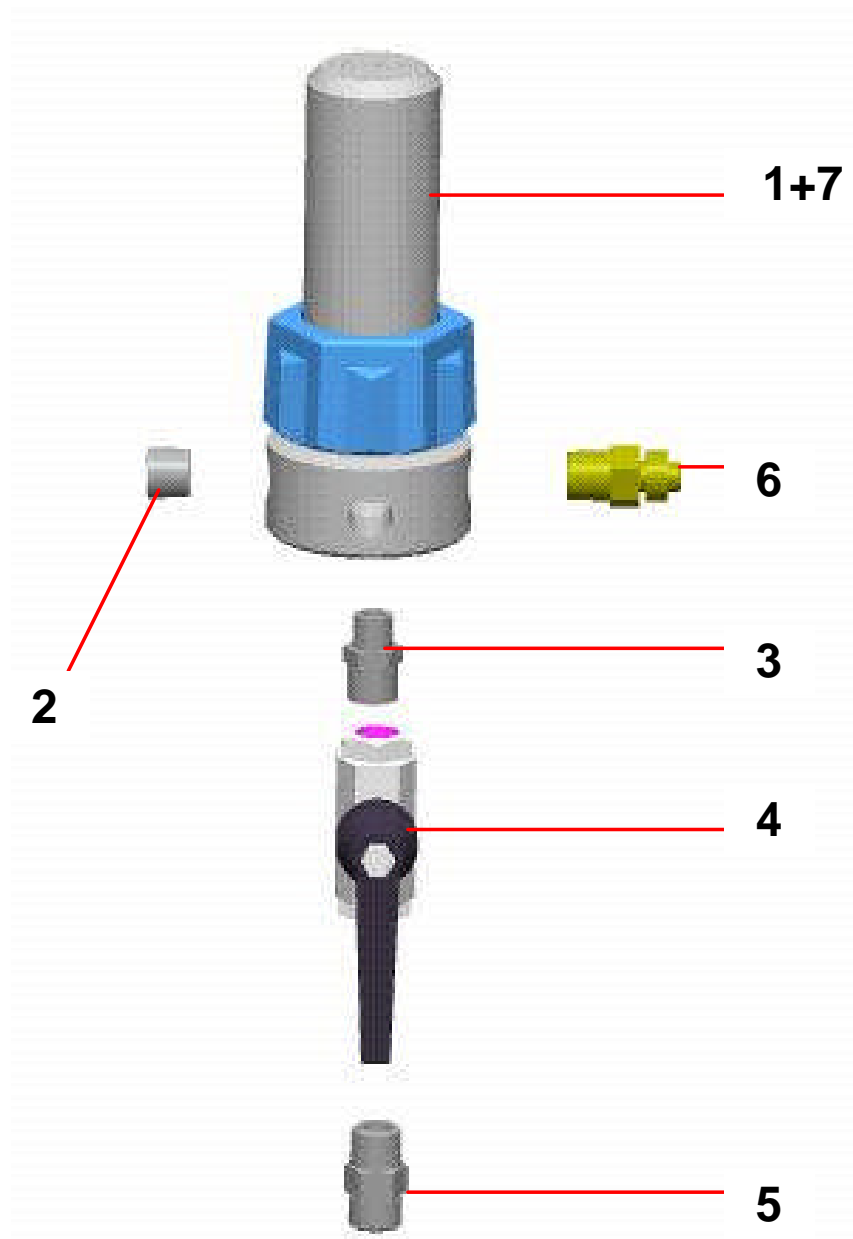
Nota : When ordering a spare part whose the first digit is 5, specify the required length.

Hinweis : Bei Artikel-Nummern, die mit einer 5 beginnen, muss die Länge angegeben werden.

Nota : Cuando encarga Vd. una pieza de repuesto que empieza por un 5, precise Vd. la longitud necesaria.

<b>Doc. 573.299.050</b> Date/Datum/Fecha : 10/06/11 Annule/Cancela/ Ersetzt/Anula : 07/10/04	<b>Modif. /Änderung :</b> Mise à jour / Update / Aktualisierung / Actualización	<b>Pièces de rechange</b> <b>Spare parts list</b> <b>Ersatzteilliste</b> <b>Piezas de repuesto</b>
---	---	---

<b>FILTRE PRODUIT HP, modèle 3/8 inox</b>	<b>HP FLUID FILTER, model 3/8 stainless steel</b>
<b>HP MATERIALFILTER, Modell 3/8 Edelstahl</b>	<b>FILTRO PRODUCTO HP, tipo 3/8 inox</b>



<b>FILTRE EQUIPÉ pour pompes AIRMIX®</b>	<b>FILTRE EQUIPÉ pour pompes AIRLESS®</b>
<b>EQUIPPED FILTER for AIRMIX® pumps</b>	<b>EQUIPPED FILTER for AIRLESS® pumps</b>
<b>AUSGERÜSTETER FILTER für AIRMIX®-Pumpen</b>	<b>AUSGERÜSTETER FILTER für AIRLESS®-Pumpen</b>
<b>FILTRO EQUIPADO para bombas AIRMIX®</b>	<b>FILTRO EQUIPADO para bombas AIRLESS®</b>
<b># 155.580.300</b>	<b># 155.580.400</b>

**PIECES COMMUNES - COMMON PARTS - GLEICHE TEILE - PARTES COMUNES**

Ind	#	Désignation	Description	Bezeichnung	Denominación	Qté
* 1	155.580.200	Filtre nu inox	Bare filter, stainless steel	Nackter Filter - Edelstahl	Filtro solo, inox	1
2	905.210.304	Bouchon inox 3/8 NPT	Plug , stainless steel 3/8 NPT	Blinstopfen - Edelstahl 3/8 NPT	Tapón de inox 3/8 NPT	1
3	906.314.204	Raccord inox M 1/4 - M 3/8	Fitting, double male, 1/4 - 3/8	Doppelnippel AG 1/4 - AG 3/8	Racor inox, M 1/4 - M 3/8	1
* 4	000.750.040	Vanne HP FF 3/8 BSP	HP valve FF 3/8 BSP	Kugelhahn, IG 3/8 BSP	Válvula, HH 3/8 BSP	1
5	050.102.411	Raccord inox M 18 x 125 - M 3/8 BSP	Adaptor, stainless steel, double male 18x125 - 3/8BSP	Doppelnippel - Edelstahl AG 3/8 BSP - M 18x1,25	Racor inox, M 18 x 125 - M 3/8 BSP	1
6	905.210.503	Raccord inox M 3/8 NPT - M 1/2 JIC	Adaptor, stainless steel, double male, 3/8 NPT - # 5 JIC (1/2 JIC)	Doppelnippel Edelstahl 3/8 NPT - 1/2 JIC	Racor, inox M 3/8 NPT - M 1/2 JIC	1

**PIECES SPECIFIQUES - SPECIFIC PARTS - SPEZIELLE TEILE - PARTES ESPECIFICAS**

**⇒ Filtre / Filter / Filtro # 155.580.300**

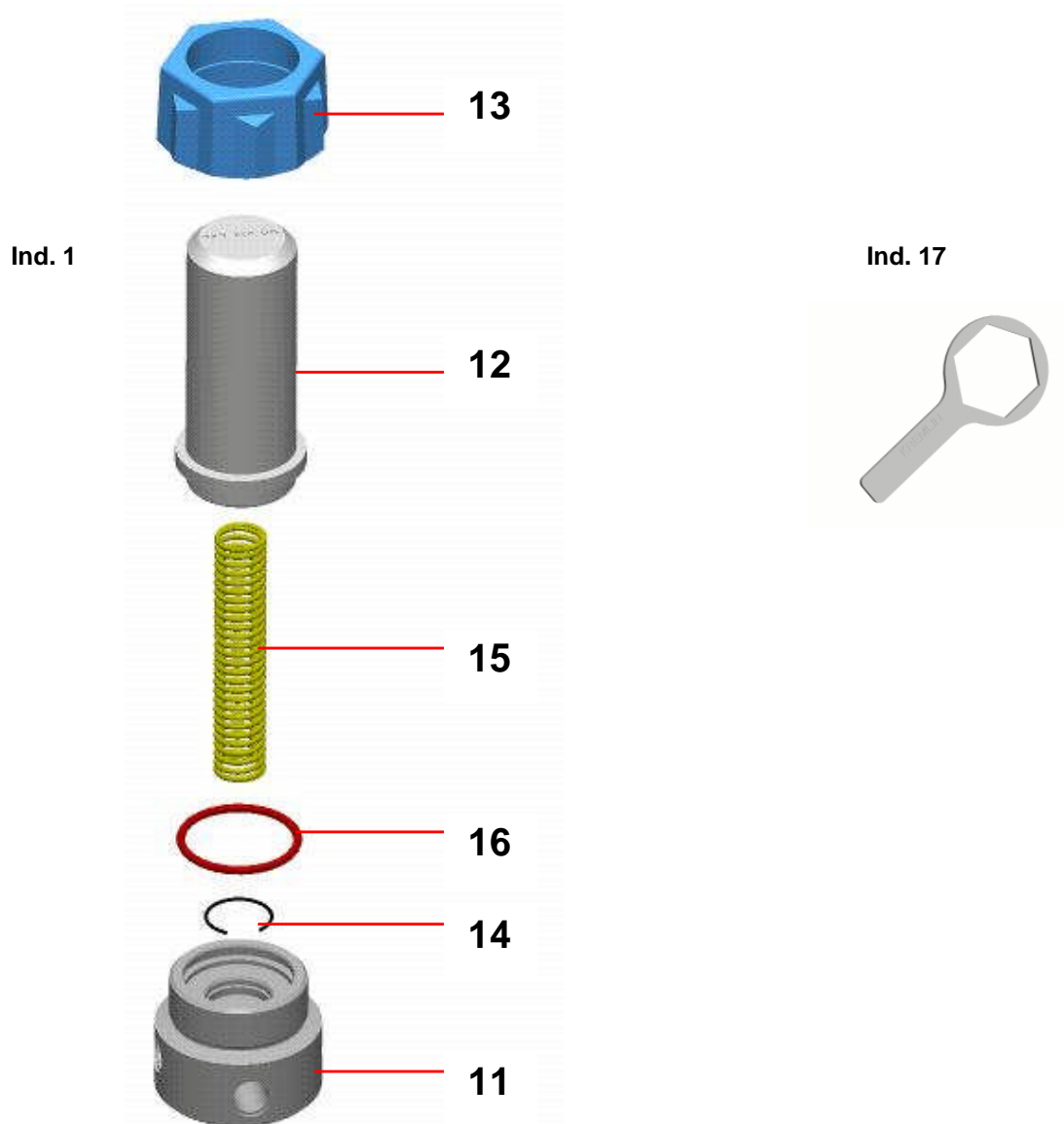
Ind	#	Désignation	Description	Bezeichnung	Denominación	Qté
* 7	000.161.106	Tamis n° 6 (168 µ)	Screen n° 6 (168 µ - 85 Mesh)	Filterelement Sieb Nr. 6 (168 µ)	Tamiz n° 6 (168 µ)	1

**⇒ Filtre / Filter / Filtro # 155.580.400**

Ind	#	Désignation	Description	Bezeichnung	Denominación	Qté
* 7	000.161.112	Tamis n° 12 (280 µ)	Screen n° 12 (280 µ - 55 Mesh)	Filterelement Sieb Nr. 12 (280 µ)	Tamiz n° 12 (280 µ)	1

- \* Pièces de maintenance préconisées tenues en stock
- \* Preceding the index number denotes a suggested spare part.
- \* Bezeichnete Teile sind empfohlene Ersatzteile.
- \* Piezas de mantenimiento preventivas a tener en stock.

<b>FILTRE NU (sans tamis)</b>	<b>BARE FILTER (without screen)</b>	<b>#</b>  <b>155.580.200</b>
<b>NACKTER FILTER (ohne Sieb)</b>	<b>FILTRO SOLO (sin tamiz)</b>	



Ind	#	Désignation	Description	Bezeichnung	Denominación	Qté
11	055.580.201	Embase 3/8	Base, model 3/8	Grundblock, Modell 3/8	Base, tipo 3/8	1
12	055.580.202	Cuve	Bowl	Filterglocke	Cubeta	1
13	055.280.002	Ecrou	Nut	Überwurfmutter	Tuerca	1
14	055.190.007	Jonc	Stop ring	Sicherungsring	Clips	1
15	055.190.005	Ressort	Spring	Feder	Muelle	1
* 16	150.040.327	Joint (les 5)	Seal (pack of 5)	Dichtung (5 St.)	Junta (bolsa de 5)	1
17	049.030.018	Clé de démontage	Wrench	Schlüssel	Llave de desmontaje	1

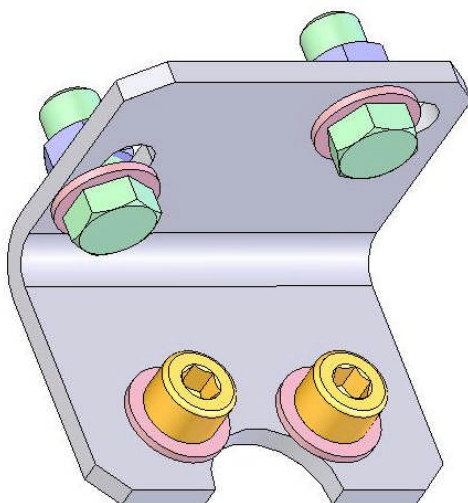
A LA DEMANDE - ON REQUEST - AUF WUNSCH - A PETICIÓN

Ind. 7



Ind	#	Désignation	Description	Bezeichnung	Denominación	Qté
-	000.161.101	Tamis n° 1 (37 µ)	Screen n° 1 (37 µ)	Sieb Nr. 1 (37 µ)	Tamiz n° 1 (37µ)	1
-	000.161.102	Tamis n° 2 (77 µ)	Screen n° 2 (77 µ)	Sieb Nr. 2 (77 µ)	Tamiz n° 2 (77 µ)	1
-	000.161.104	Tamis n° 4 (99 µ)	Screen n° 4 (99 µ)	Sieb Nr. 4 (99 µ)	Tamiz n° 4 (99 µ)	1
<b>7</b>	<b>000.161.106</b>	<b>Tamis n° 6 (168 µ)</b>	<b>Screen n° 6 (168 µ)</b>	<b>Sieb Nr. 6 (168 µ)</b>	<b>Tamiz n° 6 (168 µ)</b>	<b>1</b>
-	000.161.108	Tamis n° 8 (210 µ)	Screen n° 8 (210 µ)	Sieb Nr. 8 (210 µ)	Tamiz n° 8 (210 µ)	1
<b>7</b>	<b>000.161.112</b>	<b>Tamis n° 12 (280 µ)</b>	<b>Screen n° 12 (280 µ)</b>	<b>Sieb Nr. 12 (280 µ)</b>	<b>Tamiz n° 12 (280 µ)</b>	<b>1</b>
-	000.161.115	Tamis n° 15 (360 µ)	Screen n° 15 (360 µ)	Sieb Nr. 15 (360 µ)	Tamiz n° 15 (360 µ)	1
-	000.161.020	Tamis n° 20 (510 µ)	Screen n° 20 (510 µ)	Sieb Nr. 20 (510 µ)	Tamiz n° 20 (510 µ)	1
-	000.161.030	Tamis n° 30 (750 µ)	Screen n° 30 (750 µ)	Sieb Nr. 30 (750 µ)	Tamiz n° 30 (750 µ)	1

OPTIONS - ON REQUEST - OPTIONEN - OPCIONES



Ind	#	Désignation	Description	Bezeichnung	Denominación	Qté
-	155.190.105	Support filtre avec vis, rondelles et écrous	Mounting bracket with screws, washers and nuts	Filterhalterung mit Schrauben, Scheiben und Muttern	Soporte filtro con tornillos, arandelas y tuercas	1





**AIRMIX ® PUMP and  
LOW-PRESSURE PUMP  
air motor with reversing block  
*PREVENTIVE MAINTENANCE***

**TRANSLATION OF THE ORIGINAL MANUAL**

**IMPORTANT : Before assembly and start-up, please read and clearly understand all the documents relating to this equipment (professional use only).**

*THE PICTURES AND DRAWINGS ARE NON CONTRACTUAL. WE RESERVE THE RIGHT TO MAKE CHANGES WITHOUT PRIOR NOTICE.*

**KREMLIN - REXSON**

150, avenue de Stalingrad

93 245 - STAINS CEDEX – France

**☎** : 33 (0)1 49 40 25 25      *Fax* : 33 (0)1 48 26 07 16

**[www.kremlin-rexson.com](http://www.kremlin-rexson.com)**

## ■ PUMP

Make sure that the pump is clean and in good condition to increase equipment working life.

If the pump is an intensive™ one :

- Regularly clean the wetting-cup with "T" lubricant (this "T" lubricant will normally be coloured by the paint).
- Regularly clean the wetting-cup with solvent after having drained the lubricant (unscrew the plug on the upper flange).

**Guards (air motor cover, coupling shields, housings,...) have been designed for safe use of the equipment.  
The manufacturer will not be held responsible for bodily injury or failure and / or damage to property due to removal or partial removal of the guards.**

Make sure that the suction strainer is clean and in good condition. Regularly clean it and change it if necessary.

Flush the pump as often as necessary, specially when spraying pigment-filled material.

**Whatever the case, when stopping the pump, always leave it filled with material.  
For a short duration shutdown, if the flushing has not been carried out, leave the pump filled with material.  
For a short duration shutdown, after flushing the pump, leave it filled with solvent.**

## ■ SPRAY GUN

Comply with the usual instructions of spray gun servicing (refer to spray gun instruction manual).

## ■ FILTER

If the pump is mounted with a filter at the fluid outlet, comply with the usual instructions of filter servicing (refer to filter instruction manual)



# **AIRMIX ® PUMP and LOW-PRESSURE PUMP air motor with reversing block *TROUBLESHOOTING***

## **TRANSLATION OF THE ORIGINAL MANUAL**

**IMPORTANT : Before assembly and start-up, please read and clearly understand all the documents relating to this equipment (professional use only).**

*THE PICTURES AND DRAWINGS ARE NON CONTRACTUAL. WE RESERVE THE RIGHT TO MAKE CHANGES WITHOUT PRIOR NOTICE.*

### **KREMLIN - REXSON**

150, avenue de Stalingrad

93 245 - STAINS CEDEX – France

**☎** : 33 (0)1 49 40 25 25      *Fax* : 33 (0)1 48 26 07 16

**[www.kremlin-rexson.com](http://www.kremlin-rexson.com)**

CAUSE	SOLUTION
The pump does not start.	Check the pump air supply.
Priming trouble : → Air is always coming out from the spray gun. → Air (or material) does not come out from the spray gun.	Be sure that the spray gun is fully opened and air evacuated through this one. Air intake at the fitting or at the suction rod. Check the pump valves. If a valve is stucked by dry paint, it can be unsticked without disassembling it. Blow air pressure directly by suction fitting.
The pump does not stop at once when shutting off the spray gun : → The pump stops only on down stroke. → The pump stops only on up stroke.	Check exhaust valve or valve seal. Check suction valve or upper cartridge.
The pump does not reverse.	Check spring of the air motor reversing block. Lubricate reversing-block with HP 150 oil. Check is there is pilot air (depending on air motor model).
On intensive™ pump, the lubricant into the cup is fastly coloured.	Check the upper packing (tighten the cup or change seals if it is necessary).
On FLOWMAX ® pump, leakage of fluid at the bottom of the air motor.	Check bellow.
Spraying trouble.	Refer to spray gun instruction manual.
Decrease of material flow.	Refer to filter instruction manual.



**AIRMIX ® PUMP and  
LOW-PRESSURE PUMP  
air motor with reversing block  
*OPERATING PRINCIPLE AND START-UP***

**TRANSLATION OF THE ORIGINAL MANUAL**

**IMPORTANT** : Before assembly and start-up, please read and clearly understand all the documents relating to this equipment (professional use only).

*THE PICTURES AND DRAWINGS ARE NON CONTRACTUAL. WE RESERVE THE RIGHT TO MAKE CHANGES WITHOUT PRIOR NOTICE.*

**KREMLIN - REXSON**

150, avenue de Stalingrad

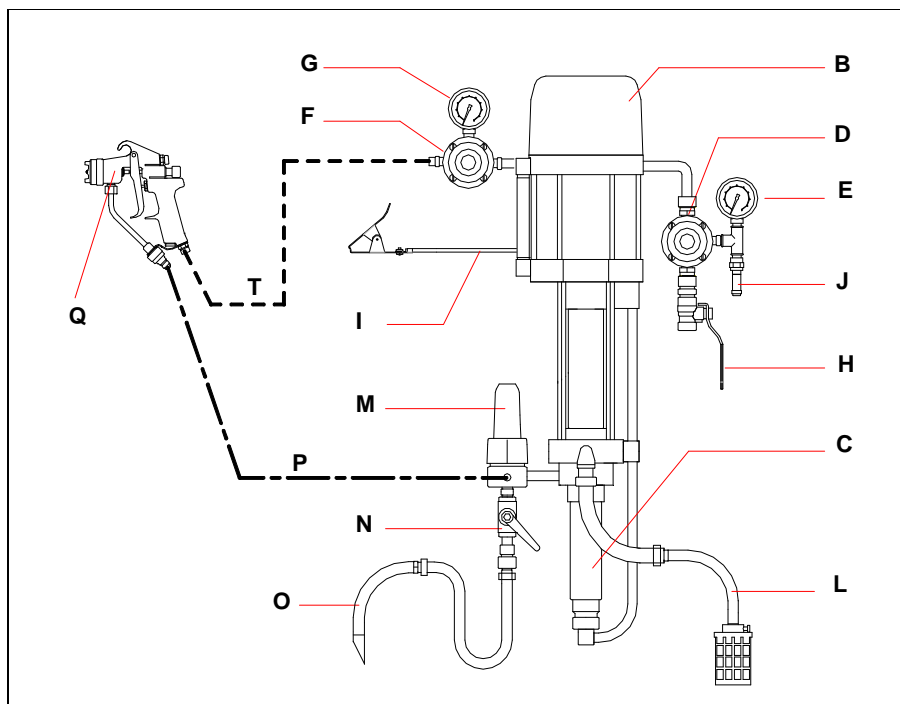
93 245 - STAINS CEDEX – France

☎ : 33 (0)1 49 40 25 25      Fax : 33 (0)1 48 26 07 16

**[www.kremlin-rexson.com](http://www.kremlin-rexson.com)**



## FLOWMAX ® PUMP



### Captions :

A	Intensive™ or FLOWMAX ® pump (B + C)	L	Suction rod (depending on version)
B	Air motor	M	Accumulator filter (depending on version)
C	Fluid section	N	Drain valve (depending on version)
D	Air regulator "MOTOR AIR"	O	Drain rod (depending on version)
E	Gauge	P	HP Fluid hose
F	Air regulator "GUN AIR" (depending on version)	Q	Spray gun
G	Gauge (depending on version)	R	"T" lubricant (1/4 l / 0.07 US gal) (only for intensive™ pump)
H	Air inlet valve	S	Wetting-cup (only for intensive™ pump)
I	Ground	T	Air hose (static conductor)
J	Discharge valve		

(For specific installation, please contact your KREMLIN REXSON representative).

**Nota** : If the pump is equipped with an accumulator filter (M), the filter is supplied with a stainless steel screen n° 6 (filtration size : 168 microns or 85 mesh). The screen is recommended for the use of an AIRMIX gun fitted with a nozzle model n° 6. If the fluid spraying is carried out by means of an other nozzle, choose an other screen (refer to the filter instruction manual). Adjust the screen to the application.

Start up procedure :

- 1 - Ground the pump.
- 2 - **If the pump is a intensive™ one, fill up the wetting-cup (S) with "T" lubricant (R) or with an appropriate solvent.**
- 3 - Unscrew the air regulators (D and F).
- 4 - Interconnect the air equipment with the air pressure network (clean air - Pressure < 6 bar / 87 psi). Install a water drop, model 3/4" (or model 3/8" if the pump is equipped with an air motor, model 500/4), if it is necessary.
- 5 - Connect all the hoses, air hose and fluid hose (P), as well as the spray gun (Q).  
**Nota** : Comply with the diameters of hoses recommended in the specifications of the pump.
- 6 - Remove the nozzle from the spray gun.

▪ **FLUSHING WITH SOLVENT**

- 7 - Immerse suction rod (L) and the drain rod (O) into the material container.
- 8 - Open the air shut off valve (N).
- 9 - Open the valve (H) of the pump air equipment to supply the air motor.

**Nota** : If the pump air motor is a 5000 version, it needs pilot air to operate. The pump air equipment supplies pilot air to the air motor. The air supply pressure is adjusted previously in the factory to 4 bars / 58 psi maximum.

- 10 - Increase **progressively** the air regulator (D) so that the pump runs slowly (Pressure between 0,5 to 1 bar / 7.25 to 14.503 psi).
- 11 - Observe the drain (O); air bubbles come out from it. When bubbles no longer come out from it, shut off the drain valve (N).

▪ **PRIMING WITH MATERIAL**

- 12 - Remove the suction rod (L) and the drain rod (O) from the material container and immerse them in a solvent filled container.
- 13 - Open the drain valve (N), wait until the material flows out regularly, then shut off the drain valve (N).
- 14 - Point the spray gun towards the material container and trigger the spray gun until the material flows out regularly.

▪ **WORK**

- 15 - Reinstall the ring and the aircap on the spray gun.
- 16 - Adjust air regulator (D) to obtain the appropriate material pressure and flow rate.
- 17 - **Gradually** open the air regulator (F) to adjust the spraying air to obtain the required spray pattern.

**Nota** : Some of these pumps are not equipped in the intensiv™ version with the air regulator (F).

A spraying air kit can be mounted on the pump air equipment in order to supply compressed air to the spray gun if it is necessary.

## 2-2 PUMP SUPPLIED IN FILLING (CIRCULATING)

Interconnect the pump fluid inlet with the circulating supply hose and start up the pump as it is specified previously.

**If the pump is a FLOWMAX® one :**

**WARNING:**

- **Fluid section filling pressure** : 2 bar / 29 psi maximum
- **WARNING : Do not create overpressure**
- **NEVER use** the pump when **an isolating gate on the supply circuit** (upstream from the FLOWMAX® fluid section) is shut : **it would damage the bellows.**
- **Do not install** a material regulator on the supply circuit or any arrangement that could perform as a non-return valve.



### 3. SHUTDOWN AT THE END OF THE WORK

#### ▪ SHORT DURATION SHUTDOWN

- 1 - Decrease the material pressure of air regulator (D) until reading **0 bar / 0 psi** on the gauge (E).
- 2 - Trigger the spray gun to depressurize the system.
- 3 - Unscrew the spray gun air regulator (F) or disconnect the spray gun air inlet.
- 4 - Remove the aircap from the spray gun, (aircap and nozzle for Airmix ® spray gun) and soak it into solvent.

#### ▪ LONG DURATION SHUTDOWN

- 1 - Decrease the air regulator (D) until reading **1 bar / 14.503 psi** on gauge (E).
- 2 - Unscrew the spray gun air regulator (F) or disconnect the spray gun air inlet.
- 3 - Remove the spray gun aircap, (aircap and nozzle for AIRMIX ® spray gun) and soak it into solvent.
- 4 - Open the drain valve. The pump must operate slowly. If the speed is too high, decrease the air regulator (D) pressure.
- 5 - Remove the suction rod and the drain rod from the material container and immerse them in a solvent-filled container. Take all the appropriate precautions in the presence of flammable solvents.
- 6 - When the solvent flows out regularly, close the drain valve.
- 7 - Point the spray gun towards the material container and press the gun trigger. When the solvent flows out, point the spray gun towards the recovery container.
- 8 - When the solvent flows out, release the spray gun trigger.  
**Nota : If the pump is a intensive™ one, release the spray gun trigger when the pump is in a low position. To prevent from damaging the seals when starting the pump, the piston must be immersed into solvent.**
- 9 - Fully unscrew the air regulator (D) and shut off the main compressed air valve (valve H).
- 10 - Press the spray gun trigger to decompress the hoses. Therefore, the pump and the hose remain filled with solvent at the atmospheric pressure

### 4. SAFETY DEVICE

**Guards (air motor cover, coupling shields, housings ...) have been designed for safe use of the equipment.**

**The manufacturer will not be held responsible for bodily injury or failure and / or damage to property due to removal or partial removal of the guards**

A relief-valve (setting : 6,5 bar / 94 psi) is fitted on the pump air motor - thus protecting this one from an overpressure which could damage it.



## **AIRMIX® PUMP**

### **20-25 FLOWMAX®**

#### **TECHNICAL FEATURES**

### **TRANSLATION FROM THE ORIGINAL MANUAL**

***IMPORTANT : Before assembly and start-up, please read and clearly understand all the documents relating to this equipment (professional use only).***

THE PICTURES AND DRAWINGS ARE NON CONTRACTUAL. WE RESERVE THE RIGHT TO MAKE CHANGES WITHOUT PRIOR NOTICE.

#### **KREMLIN - REXSON**

150, avenue de Stalingrad

93 245 - STAINS CEDEX – France

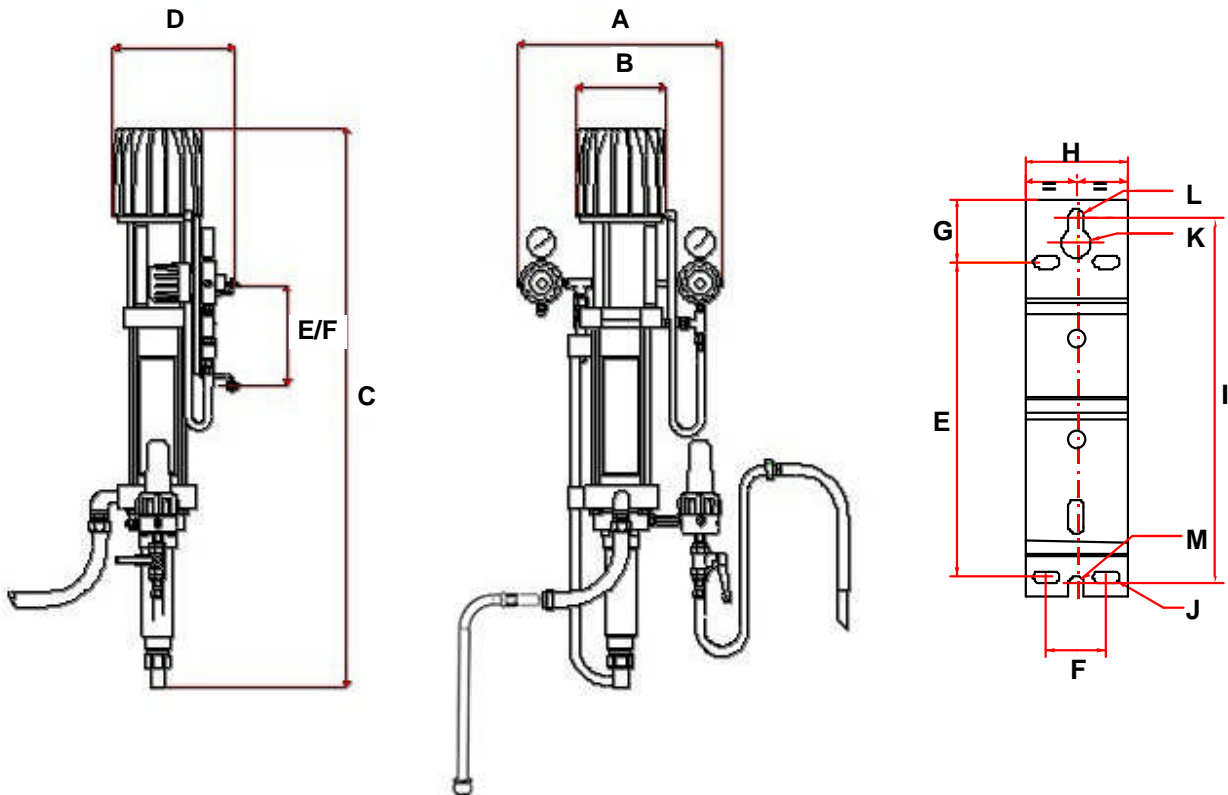
☎ : 33 (0)1 49 40 25 25      Fax : 33 (0)1 48 26 07 16

**[www.kremlin-rexson.com](http://www.kremlin-rexson.com)**



■ DIMENSIONS

Ind.	mm	"	Ind.	mm	"	Ind.	mm	"
A	350	13.78	B	160	6.3	C	970	38.19
D	210	8.27	E	182	7.16	F	35	1.38
G	36.5	1.44	H	60	2.36	I	211.5	8.3
J	Ø 7 x 15	Ø 1/4 x 19/32	K	Ø 17	Ø 21/32	L	Ø 9	Ø 11/32
M	Ø 9	Ø 11/32						

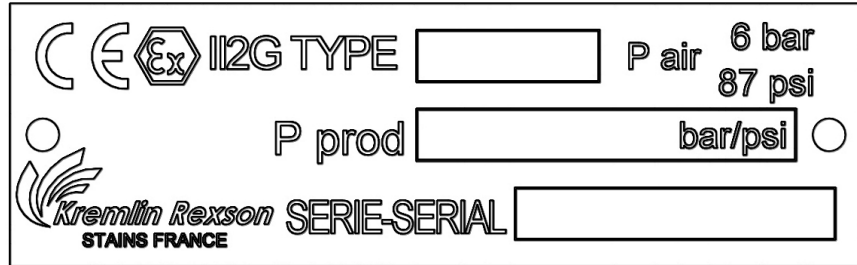


### 3. INSTALLATION

The pumps are designed to be installed in a spray booth.

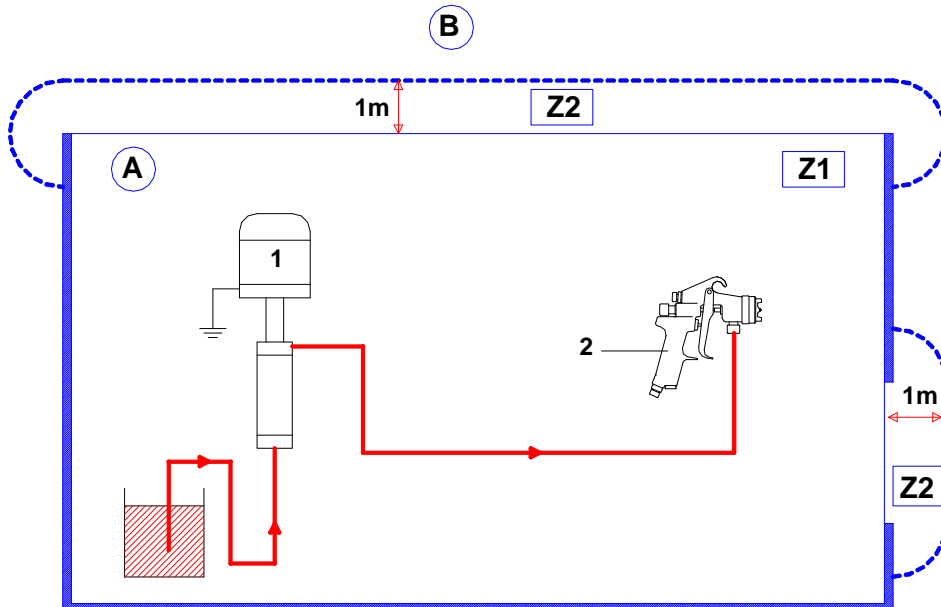
#### DESCRIPTION OF THE LABEL MARKING

Marking in accordance with the ATEX Directive



<b>KREMLIN REXSON STAINS FRANCE</b>	Name and address of the manufacturer
<b>TYPE xx</b>	Pump model
<b>Ex II 2 G</b>	<b>II</b> : group II <b>2</b> : class 2 Surface equipment meant to area where explosive atmospheres due to gas, vapours, mists are liable to appear from time to time in usual operating <b>G</b> : gas
<b>P prod : xx bar / xx psi</b>	Maximum fluid pressure at the pump outlet
<b>P air : 6 bar / 87 psi</b>	Air supply maximum pressure of the pump motor
<b>Serie / Serial</b>	Number given by KREMLIN REXSON. The two first numbers indicate the manufacturing year.

#### INSTALLATION INSTRUCTIONS



Ind.	Description
A	Explosive area area 1 (Z1) or area 2 (Z2) : spray booth
B	Non explosive area

Ind.	Description
1	Pump
2	Spray gun



The 1 m / 39.37" distance indicated in these diagrams is given for information purposes only and hold harmless to KREMLIN REXSON. The user is responsible for the extraction and conditioning of the painting area where the equipment is used, for working conditions conditions (refer to EN 60079-10 standard). The 1 m / 39.37" distance may be modified if trials carried out by the user deem this necessary.



*NB: Choose the appropriate pump to ensure that the working pressure supplied is suitable for the selected gun.*