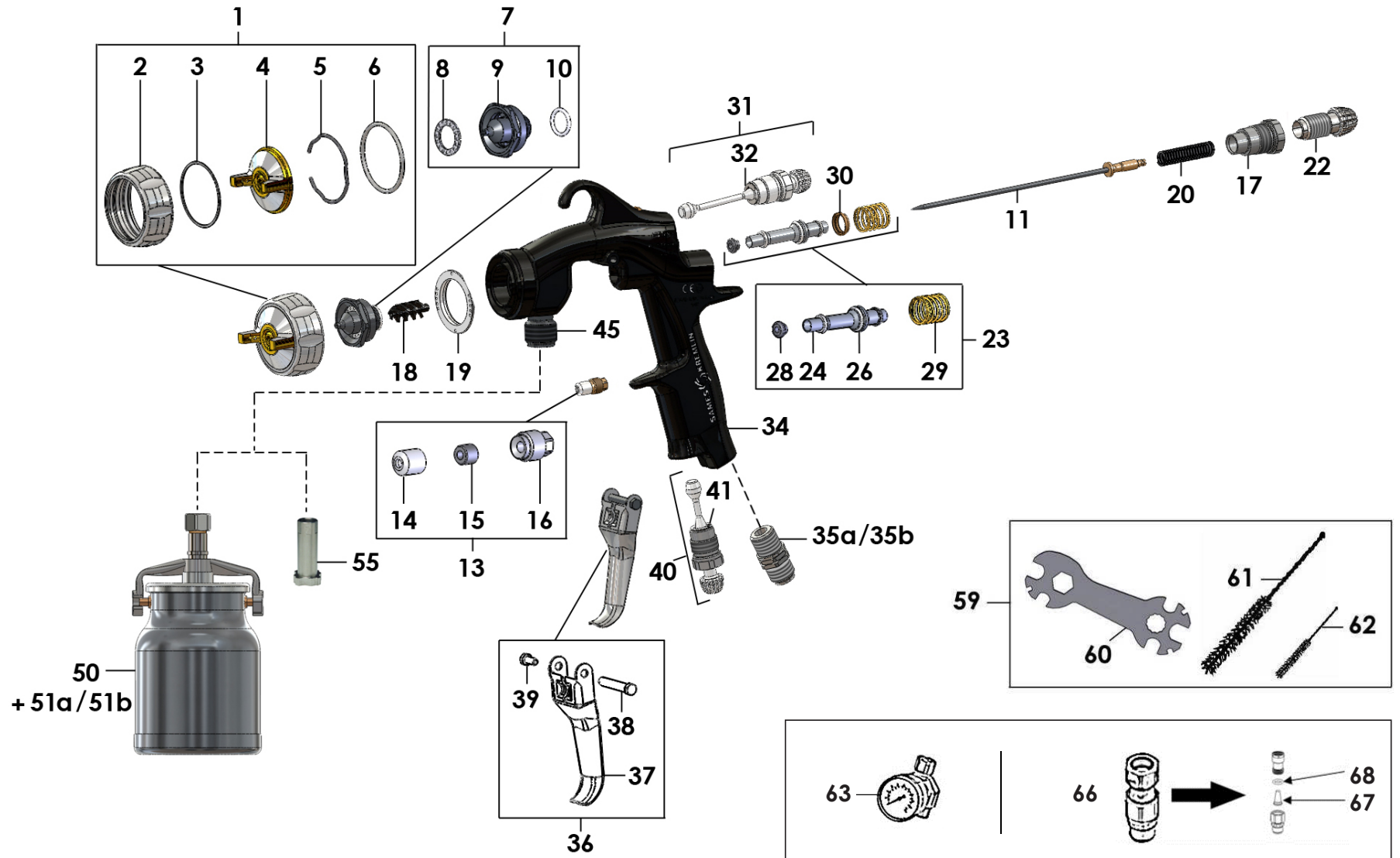


# FPRO S AIRSPRAY

## SPARE PARTS BREAKDOWN

sames kremlin



FPRO S CONV - ALUMINUM CUP	
DESCRIPTION	PART NUMBER
GUN w/o PROJECTOR	135-780-000
+C ONV-12-Mvb	135-780-312
+C ONV-15-Mvb	135-780-315
+C ONV-18-Mvb	135-780-318
+C ONV-23-Lvb	135-780-423
+C ONV-27-Lvb	135-780-427

FPRO S CONVENTIONAL - STANDARD									
PROJECTOR		AIRCAP		NOZZLE			NEEDLE		
Ind. 1+7+11	PART NUMBER	Ind. 1	PART NUMBER	Ind. 7	Ø (mm/in)	PART NUMBER	Ind. 11	PART NUMBER	
C ONV-12-Mvb	131-780-312	CONV-07 22-Mvb	132-780-300	12	1.2 / 0.047	134-130-300	07-09-12	033-140-100	
C ONV-15-Mvb	131-780-315			15	1.5 / 0.059	134-130-600	15-18	033-140-200	
C ONV-18-Mvb	131-780-318			18	1.8 / 0.071	134-130-700			
C ONV-23-Lvb	131-780-423	CONV-23 27-Lvb	132-780-400	23	2.3 / 0.090	134-131-100	23-27	033-140-300	
C ONV-27-Lvb	131-780-427			27	2.7 / 0.106	134-131-200			

FPRO S CONVENTIONAL - SPARE PARTS			
NO.	PART NUMBER	DESCRIPTION	QTY
*1	-	Aircap assembly (refer to chart)	1
2	032-760-005	• Aircap ring	1
3	129-080-007	• Seal, aircap (x2)	1
*4	NC / NS	• Aircap only (refer to chart)	1
5	NC / NS	• Stop ring	1
6	150-040-309	• Seal, ring (x10)	1
*7	-	Nozzle assembly (refer to chart)	1
*8	129-130-004	• Distribution ring (x5)	1
9	NC / NS	• Nozzle	1
10	129-209-902	• Seal, nozzle (x5)	1
*11	-	Needle (refer to chart)	1
13	129-130-903	Packing needle (x5)	1
14	NC / NS	• Seat (x5)	1
15	NC / NS	• Bearing (x5)	1
16	029-130-006	• Packing holder (x1)	1
17	029-030-003	Sleeve, needle stop	1
18	129-040-031	Vortex (x1)	1
19	129-130-003	Distribution ring (x5)	1
*20	050-311-248	Spring, needle	1
22	029-770-006	Needle stop	1
*23	129-780-025	Air valve assembly	1
24	NC / NS	• Body, valve	1
26	129-030-022	• Seal, valve (x10)	1
*28	129-030-026	• Carrier (x5)	1
*29	050-311-321	• Spring, valve	1
30	129-030-025	• Seal, valve (x10)	2
*31	129-130-020	Air adjuster assembly	1
32	NC / NS	• Ring, model Ø6	1
34		Gun body	1
35a	050-102-624	Air fitting, model double male 1/4 G - 1/4 NPS	1
*36	129-780-906	Trigger + trigger spindle + screw	1

FPRO S CONVENTIONAL - SPARE PARTS CONT'D			
NO.	PART NUMBER	DESCRIPTION	QTY
37	NC / NS	• Trigger	1
*38 +39	129-140-904	• Trigger spindle (x5) + screw (x5)	1
*40	129-130-030	Air adjuster assembly	1
41	NC / NS	• Ring, model Ø6	1
45	029-140-005	Fluid fitting	1
50	138-400-000	Suction cup	1
51a	138-310-300	• Filter, 200µ (x4)	1

FPRO S CONVENTIONAL - KITS			
NO.	PART NUMBER	DESCRIPTION	QTY
*	129-130-901	Seal kit (Ind. 3, 6, 8, 10, 14, 15, 26+ grease tube)	1
*	129-780-901	Servicing kit (Ind. 16, 17, 19, 20, 24, 26, 28, 29 (x2), 30, 31, 37, 38, 39 + seal kit + grease tube)	1
*	129-760-905	Servicing kit - rear line (Ind. 17, 20)	1

FPRO S CONVENTIONAL - OPTIONS			
NO.	PART NUMBER	DESCRIPTION	QTY
35b	050-102-217	Air fitting, model double male 1/4 G - 1/4 BSP	1
51b	138-310-310	Filter, 132µ (x4)	1
55	921-260-401	Valve disposable 3M cup*	1
59	129-760-921	Brushes and wrench	1
60	049-030-042	• Gun wrench	1
61	906-300-101	• Large size brush	1
62	906-300-102	• Small size brush	1
63	150-070-560	Handle gauge (fittings - 1/4 NPS male - 1/4 NPS female)	1
66	129-140-030	Fluid in-line filter (MF 3/8 NPS)	1
67	151-399-902	• Screen n° 6 (x10)	1
68	149-949-901	• Seal (x10)	1

\*3M disposable cup - Not For Sale (NFS)  
NC: Non-commercial  
NS: Non-serviceable