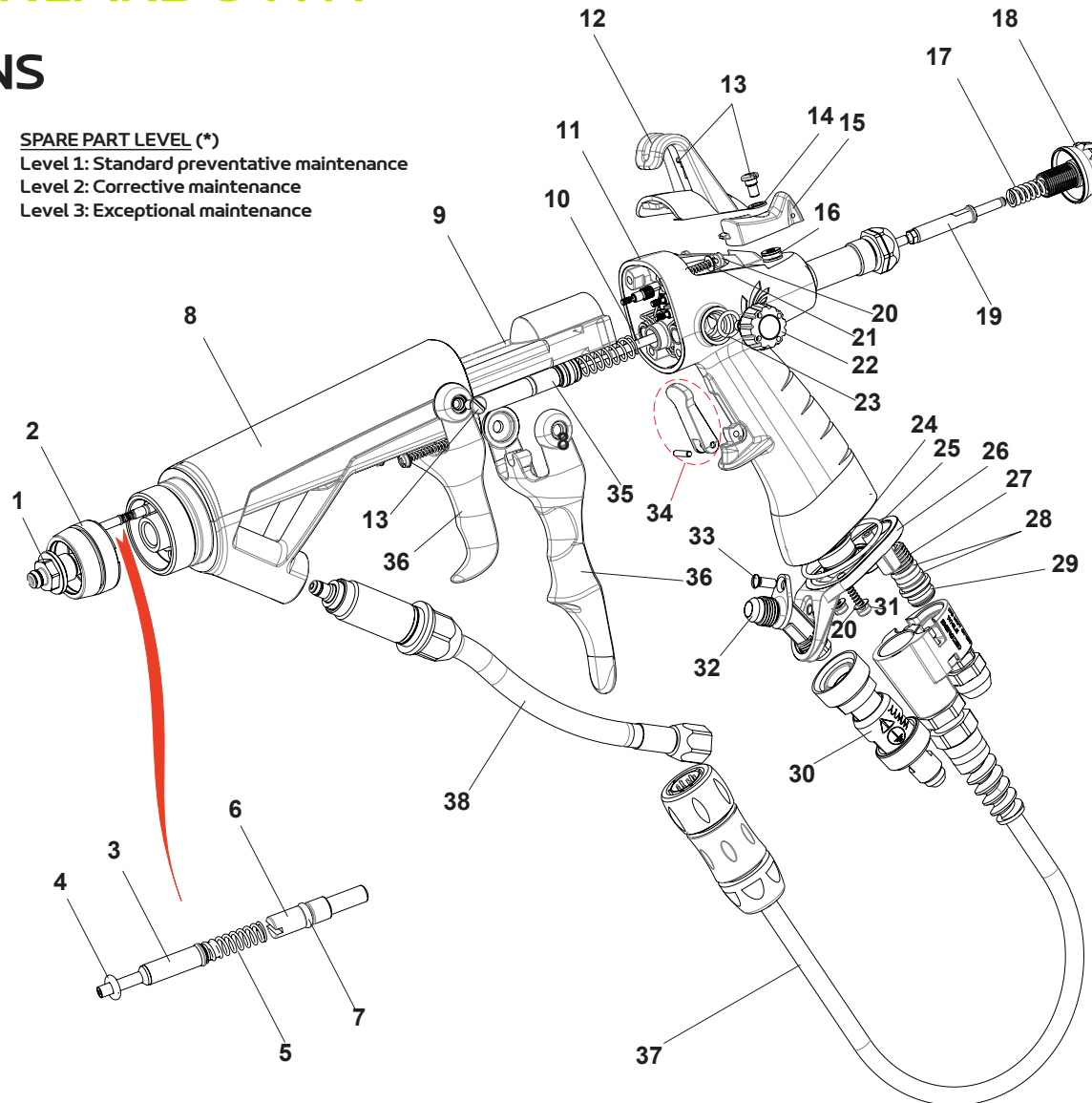


NANOGUN AIRMIX® SPARE PARTS BREAKDOWN

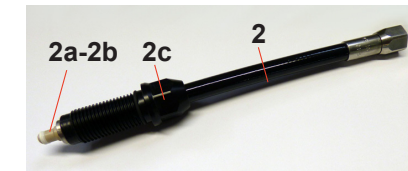
NANOGUN AIRMIX® SPRAY GUN – ALL VERSIONS

Item	Part Number	Description	Spare Part Level
1	910019359	Fitted seat casing	1
2	910019360	Nanogun Airmix® fitted adapter	3
3	910015934	Fitted high-voltage contact (inc. in Item 8)	2
4	J3STKL014	Chemically inert O-ring (inc. in Item 3)	2
5	900014787	Sprint (inc. in Item 3)	1
6	910019356	High-voltage contact screw (inc. in Item 8)	1
7	J2FTDF014	O-ring (inc. in Item 6)	1
8	910019514	Equipped barrel	3
9	910015508	Equipped high-voltage cascade	3
10	910019508	Fitted needle	1
11	910022672	Fitted Nanogun Airmix® handle 120 bar	3
11	910022679	Fitted Nanogun Airmix® handle 200 bar	3
12	900010239	Fastening hook	3
13	900010385	C M4 curved washer head screw	3
14	900013808	PTFE flat washer (inc. in Item 15)	2
15	910018204	On/off handle with O-ring and magnet (inc. in Item 11)	3
16	J3STKL005	Chemically inert O-ring (inc. in Item 15)	1
17	900010266	Paint spring 120 bar	1
17	900010267	Paint spring 200 bar	1
18	900010240	Knurl back of paint	3
19	900010882	High-pressure paint stop	3
20	250000036	Handle/barrel fastening screw	3
21	J4BRND039	Fibre joint for fastening screw	3
22	910014166	Fitted additional air setting button (inc. in Item 11)	3
23	J2FTDF121	Black FKM O-ring (inc. in Item 22)	1
24	160000041	Gray chemically inert seal (inc. in Item 11)	1
25	160000067	Red FKM seal (inc. in Item 11)	1
26	900010013	HR gun base	3
26	900010009	LR gun base	3
27	910006118	Fitted air nipple	2
28	J2FTCF018	Black FKM O-ring (inc. in Item 27)	1
29	J3STKL018	White chemically inert O-ring (inc. in Item 27)	1
30	F6RLUF171	Rotating air coupling	3
31	250000037	Base-handle fastening screw	3
32	900010605	55° elbow	3
33	250000214	Elbow fastening screw	3
34	910022663	Trigger/pin lock assembly	3
35	910018203	Fitted air valve	3
36	900010237	Trigger	3
36	900014446	4-finger trigger	3
37	910015869-XXX	Electro-pneumatic coupling	3
38	910020147	Equipped HR product hose Ø 4	2

SPARE PART LEVEL (*)
Level 1: Standard preventative maintenance
Level 2: Corrective maintenance
Level 3: Exceptional maintenance



Part Number	GNM 6080 Control Module Description
910017193	GNM 6080 CE control module
910017192	GNM 6080 CSA control module (USA/CAN)
910005759	GNM 6080 fastening kit
842635	5 m mass cable, lug D: 6



Item	Part Number	Paint Hose Descriptions for HR Guns	Spare Part Level
1	910019204-075	Black 7.5 m HR product hose Ø 5	1
	910019204-150	Black 15 m HR product hose Ø 5	1
	910019204-300	Black 30 m HR product hose Ø 5	1
2	910020147	Equipped product hose Ø 4	2
2a	J3STKL028	Chemically inert O-ring (inc. in Item 2)	1
2b	900013398	Anti-extrusion ring (inc. in Item 2)	1
2c	J2FTDF177	Black FKM O-ring (inc. in Item 2)	1

Item	Part Number	Paint Hose Descriptions for LR Guns	Spare Part Level
1	910020165-075	PTFE 7.5 m LR product hose Ø 5	1
	910020165-150	PTFE 15 m LR product hose Ø 5	1
	910020165-300	PTFE 30 m LR product hose Ø 5	1
1a	J3STKL028	Chemically inert O-ring (inc. in Item 1)	1
1b	900013398	Anti-extrusion ring (inc. in Item 1)	1
1c	J2FTDF177	Black FKM O-ring (inc. in Item 1)	1
2	910018292	Stuffing box + nut	2

NANOGUN AIRMIX® SPARE PARTS BREAKDOWN

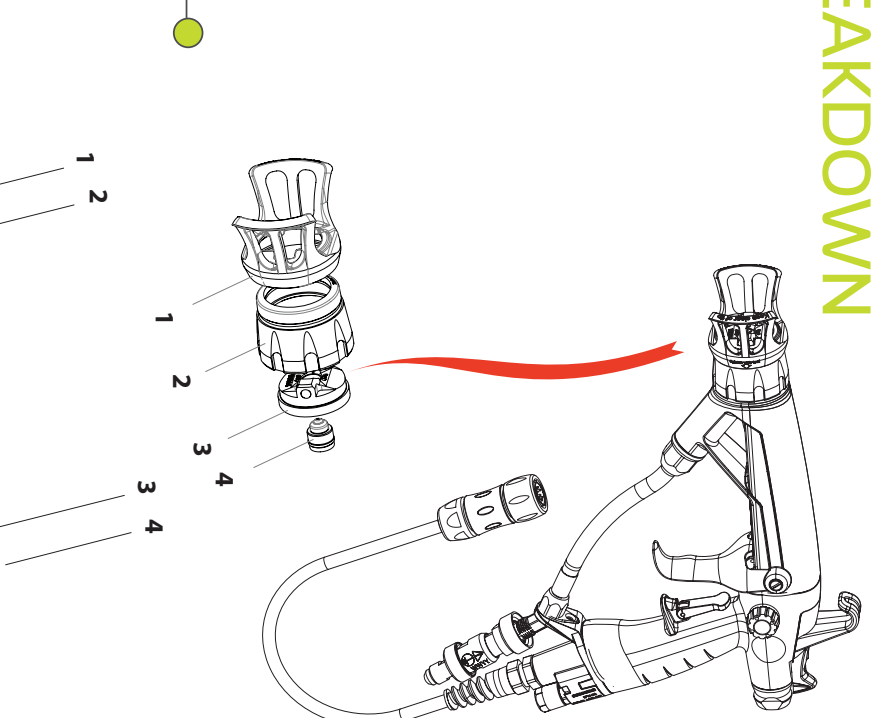
NANOGUN AIRMIX® 120 BAR GUNS

Part Number	Description
910021070	NANOGUN AIRMIX® 120 bar HR JP with nozzle 09-091
910021071-075	NANOGUN AIRMIX® 120 bar LR JP with nozzle 09-091 & paint hose 7.5m/300ft
910021071-150	NANOGUN AIRMIX® 120 bar LR JP with nozzle 09-091 & paint hose 15m/600ft
910021071-300	NANOGUN 120 bar LR JP with nozzle 09-091 & paint hose 30m/1200ft

NANOGUN AIRMIX® 200 BAR GUNS

910021076	NANOGUN AIRMIX® 200 bar HR JP with nozzle 09-091
910021077-075	NANOGUN AIRMIX® 200 bar LR JP with nozzle 09-091 & paint hose 7.5m/300ft
910021077-150	NANOGUN AIRMIX® 200 bar LR JP with nozzle 09-091 & paint hose 15m/600ft
910021077-300	NANOGUN AIRMIX® 200 bar LR JP with nozzle 09-091 & paint hose 30m/1200ft

Item	Part Number	Description	Qty	Unit of Sale	Spare Part Level (*)
1	900013829	Duckbill	1	1	3
2	910019358	Air cap ring	1	1	1
3	130001435	Air cap	1	1	3
4	130001420	Nozzle	1	1	1
not shown	050123306	Adapter M1/2 JIC-F/3/8NPS paint hose	1	1	3

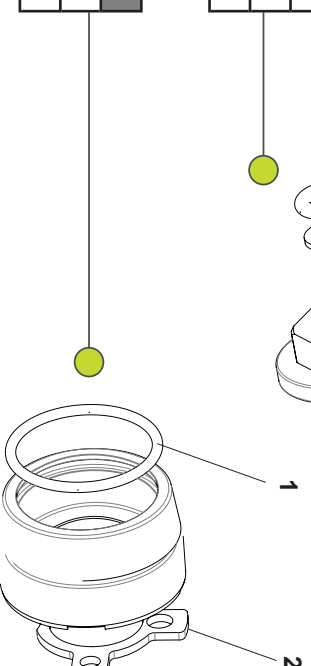


EQUIPPED SEAT CASING

Item	Part Number	Description	Qty	Unit of Sale	Spare Part Level (*)
1	910019359	EQUIPPED SEAT CASING	1	1	1
1	J3STKL046	O-ring - chemically inert	1	1	1
2	900013368	Anti-extrusion ring	1	1	1
3	900012300	Anti-extrusion ring	1	1	1
4	J3STKL075	O-ring - chemically inert	1	1	1

EQUIPPED ADAPTER

Item	Part Number	Description	Qty	Unit of Sale	Spare Part Level (*)
1	910019360	EQUIPPED ADAPTER	1	1	3
1	J2FENV288	O-ring - FEP FKM	1	1	1
2	900014821	Flat seal	1	1	1



EQUIPPED BARREL

Item	Part Number	Description	Qty	Unit of Sale	Spare Part Level (*)
1	910019514	EQUIPPED BARREL	1	1	3
1	910015881	Seal cartridge	1	1	1
2	900012782	Anti-extrusion ring	1	1	1
3	J3STKL005	O-ring - chemically inert	1	1	1
4	J2FENV435	O-ring - FEP Viton	1	1	1
5	J3STKL078	O-ring - chemically inert	2	1	1
6	J3STKL019	O-ring - chemically inert	1	1	1
7	J3STKL032	O-ring - chemically inert	1	1	1

EQUIPPED AIR VALVE & NUT

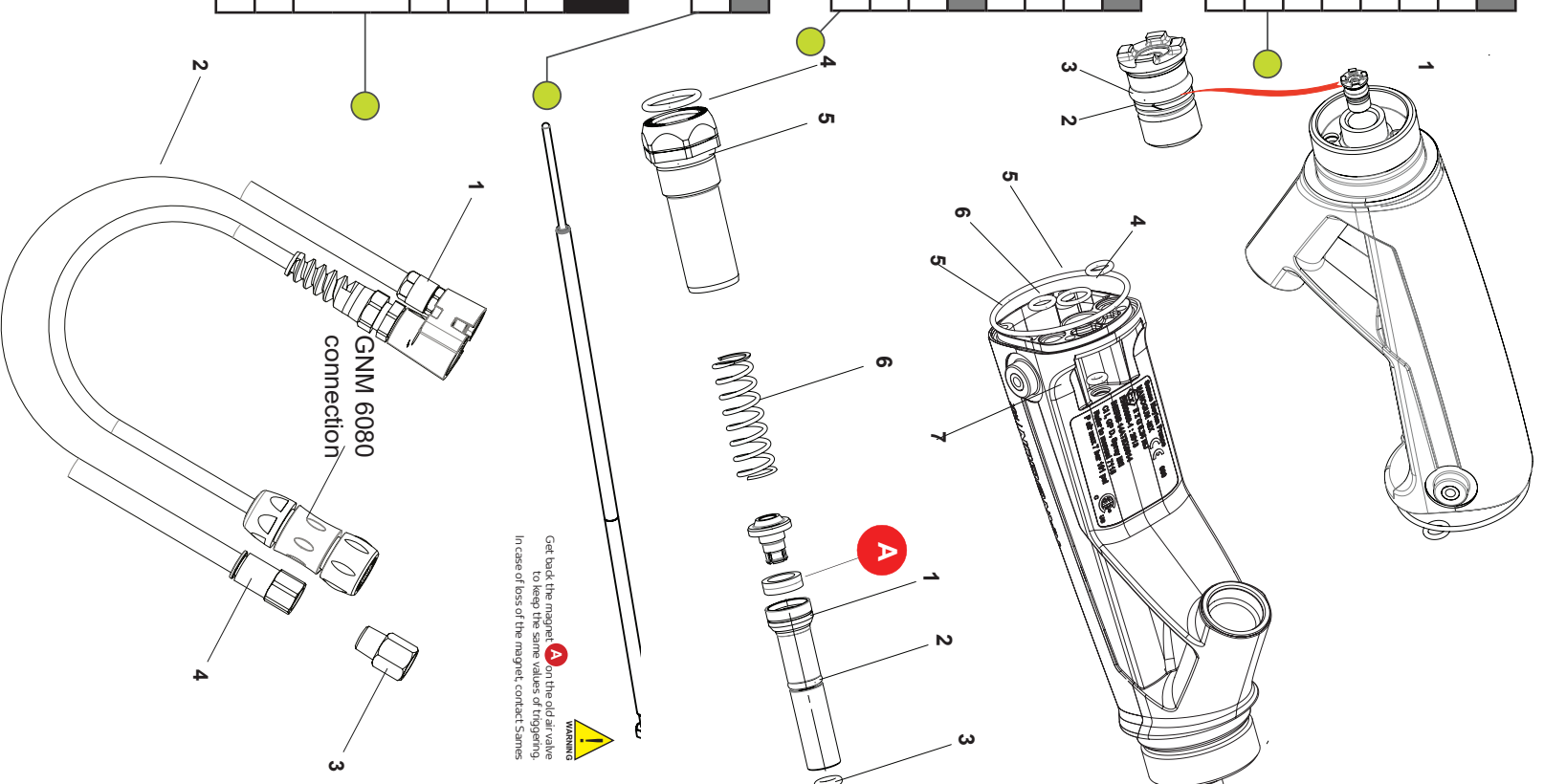
Item	Part Number	Description	Qty	Unit of Sale	Spare Part Level (*)
1	910018203	EQUIPPED AIR VALVE	1	1	3
1	900010256	Sealing ring	1	1	1
2	J3STKL005	O-ring - chemically inert (ext. valve)	1	1	1
3	J3STKL032	O-ring - chemically inert (int. valve)	1	1	1
4	910015922	EQUIPPED AIR VALVE NUT	1	1	3
4	J2FTDF155	Black FKM O-ring	1	1	1
5	J2FTDF160	Black FKM O-ring	1	1	1
6	900009024	Air spring	1	1	1

EQUIPPED NEEDLE

Item	Part Number	Description	Qty	Unit of Sale	Spare Part Level (*)
1	910019508	EQUIPPED NEEDLE	1	1	1
1	X7CEHU003	H M3 U brass nut	1	1	3

ELECTRO-PNEUMATIC COUPLING

Item	Part Number	Description	Qty	Unit of Sale	Spare Part Level (*)
1	910015869-100	10m/400ft. electro-pneu coup	1	1	3
	910015869-200	20m/800ft. electro-pneu coup	1	1	3
	910015869-300	30m/1200ft. electro-pneu coup	1	1	3
1	900015289	Simple male union	1	1	3
2	910021087-100	Equipped air hose outer diameter: 10	10m/400ft	1	1
	910021087-200		20m/800ft	1	1
	910021087-300	30m/1200ft	1	1	1
3	FRLHG362	NPT female / BSP male adapter	option	1	3
4	130000527	Quick coupling	1	1	3



WARNING
Get back the magnet **A** on the old air valve
To keep the same values of triggering
In case of loss of the magnet, contact Same

SPARE PART LEVEL:
Level 1: Std preventative maintenance | Level 2: Corrective maintenance | Level 3: Exceptional maintenance

Same

North America Headquarters 45001 5 Mile Road, Plymouth, MI 48170 | Toll: (800)573-5554 | Tel: (734)979-0100 | Fax: (734)927-0064
Canada Branch 931 Progress Avenue, Unit 7, Scarborough, ON M1G 3V5 | Toll: (800)450-0655 | Tel: (416)431-5017 | Fax: (416)431-9171