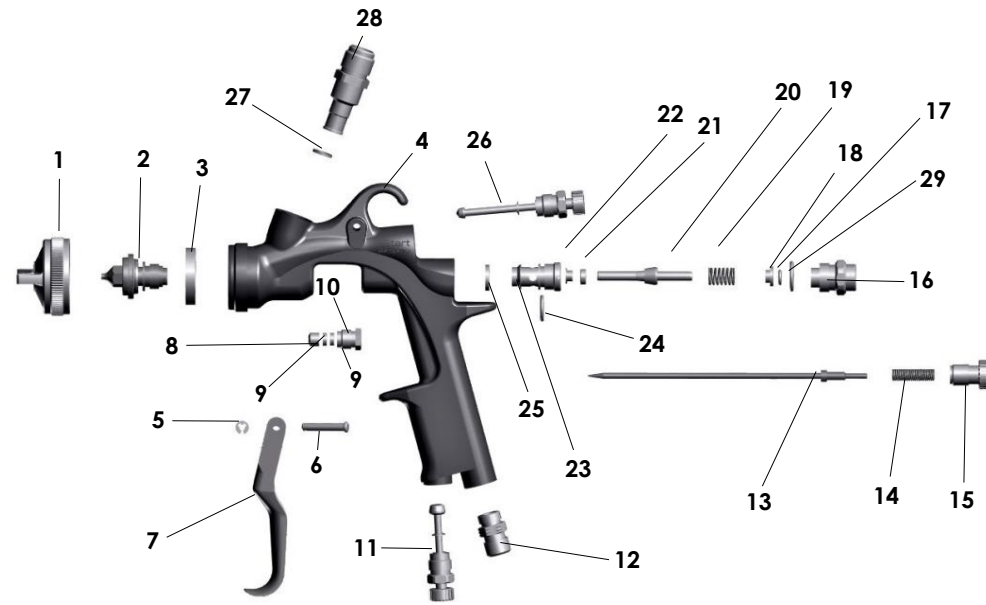


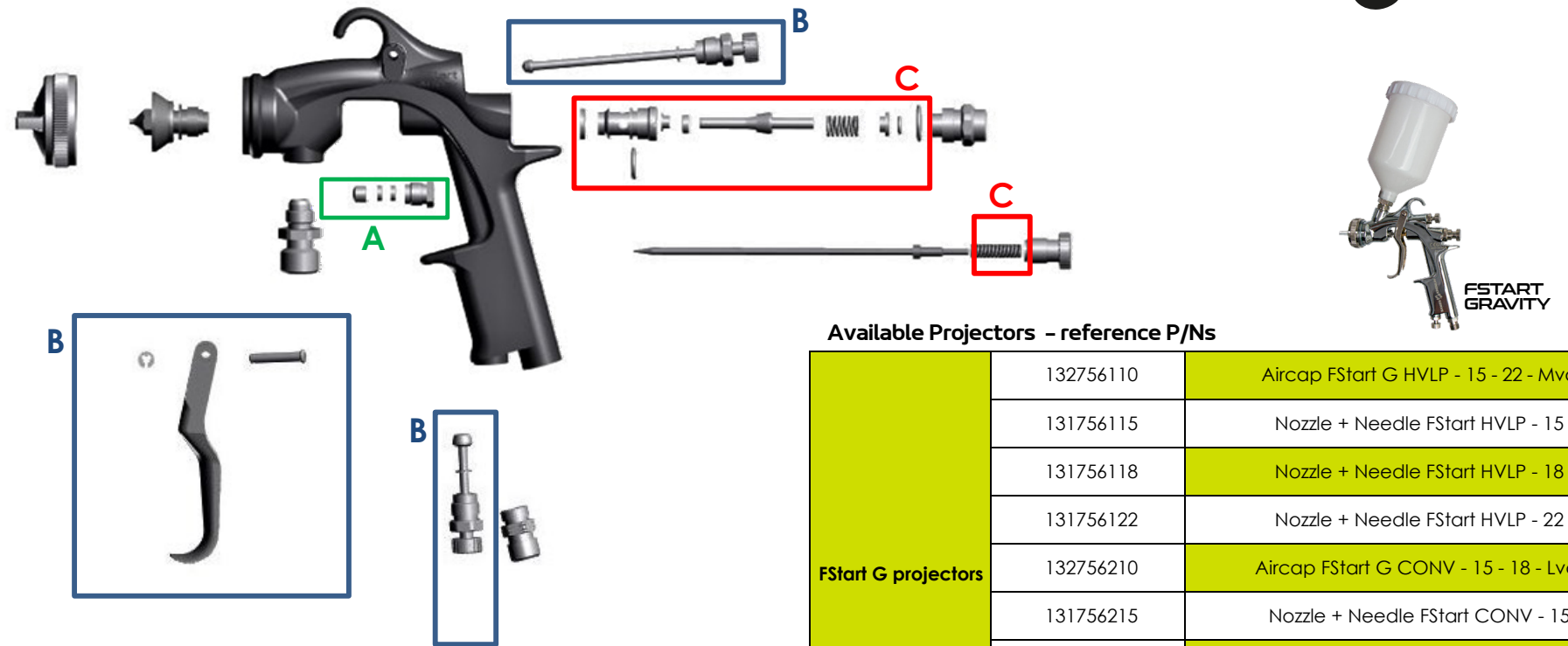
FSTART GRAVITY SPARE PARTS



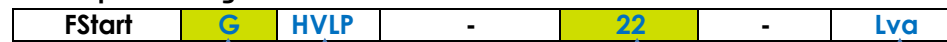
Maintenance Kit FSTART Gravity 129756901 consisting of		
A	Needle packing	129.756.903
B	Trigger set + Air adjusters	129.756.906
C	Rear line assembly	129.756.904

Parts List and FStart Maintenance Kit Gravity

Positions	Designation	Quantity	Included in Maintenance Kit 129756901
8	Needle packing	1	129.756.903 Needle packing
9	Packing gasket	2	
10	Needle packing screw	1	
5	E-ring	1	129.756.906 Trigger set + Air adjusters
6	Trigger	1	
7	Trigger stud	1	
11	Air adjustment valve set	1	
26	Pattern adjustment valve set	1	
13	Needle set	1	129.756.904 Rear line assembly
14	O-ring	1	
17	Joint	1	
18	Spring seat	1	
19	Spring	1	
20	Air valve set	1	
21	Air valve packing	1	
22	Packing bushing	1	
23	Sleeve	1	
24	O-ring	1	
25	Gasket	1	
29	O-ring seal	1	
1	Air cup ring	1	
2	Nozzle	1	
3	Baffle	1	
4	Gun body	1	
12	Air connector	1	
15	Fluid adjustment screw	1	
16	Fluid adjustment seat	1	
27	Packing gasket	1	
28	Fluid connector	1	



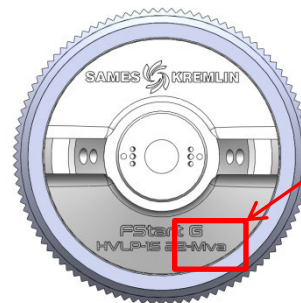
Commercial references FStart Gravity Principle of designation



G=Gravity

HVLP
(High Volume, Low Pressure)
CONV
(Conventional)

Nozzle size:
• 15 : 1.5 mm / .06 in
• 18 : 1.8 mm / .07 in
• 22 : 2.2 mm / .08 in



XLva or Mva
Maximum jet width at 20 cm / 7.8 in
XL: > 40 cm / 15.7 in
M: 20 - 30 cm / 7.8 - 11.8 in
Form generated
v: flat shape
Head material
a: Aluminum


135756115	Gun FStart G HVLP-15-Mva
135756118	Gun FStart G HVLP-18-Mva
135756122	Gun FStart G HVLP-22-Mva
135756215	Gun FStart G HVLP-22-Mva
135756218	Gun FStart G CONV-18-Lva
135756222	Gun FStart G CONV-22-Lva

Available Projectors - reference P/Ns

FStart G projectors	132756110	Aircap FStart G HVLP - 15 - 22 - Mva
	131756115	Nozzle + Needle FStart HVLP - 15
	131756118	Nozzle + Needle FStart HVLP - 18
	131756122	Nozzle + Needle FStart HVLP - 22
	132756210	Aircap FStart G CONV - 15 - 18 - Lva
	131756215	Nozzle + Needle FStart CONV - 15
	131756218	Nozzle + Needle FStart CONV - 18
	132756220	Aircap FStart G CONV - 22 - Lva
131756222	Nozzle + Needle FStart CONV - 22	

Available Accessory - reference P/Ns

Accessory	129756928	Gravity Plastic Cup for FStart
-----------	-----------	--------------------------------



Available Packages - reference P/Ns

Packages	152756280	Pack Airspray Lucky "FStart G HVLP + air hose"
	152756380	Pack Airspray Lucky "FStart G CONV + air hose"

Accessory required for assembly/disassembly

Designation	Visual
Key supplied with the FSTART Gravity	

VISIT US ONLINE
WWW.SAMES.COM



Sames
North America Headquarters 45001 5 Mile Road, Plymouth, MI 48170
Toll: (800)573-5554 | Tel: (734)979-0100 | Fax: (734)927-0064
Canada Branch 931 Progress Avenue, Unit 7, Scarborough, ON M1G 3V5
Toll: (800)450-0655 | Tel: (416)431-5017 | Fax: (416)431-9171
Mexico Branch Acceso III N°16A Int 15A, Parque Industrial Benito Juárez, Querétaro, CP 76120
Tel: +52 (442)161-2595 ext 170