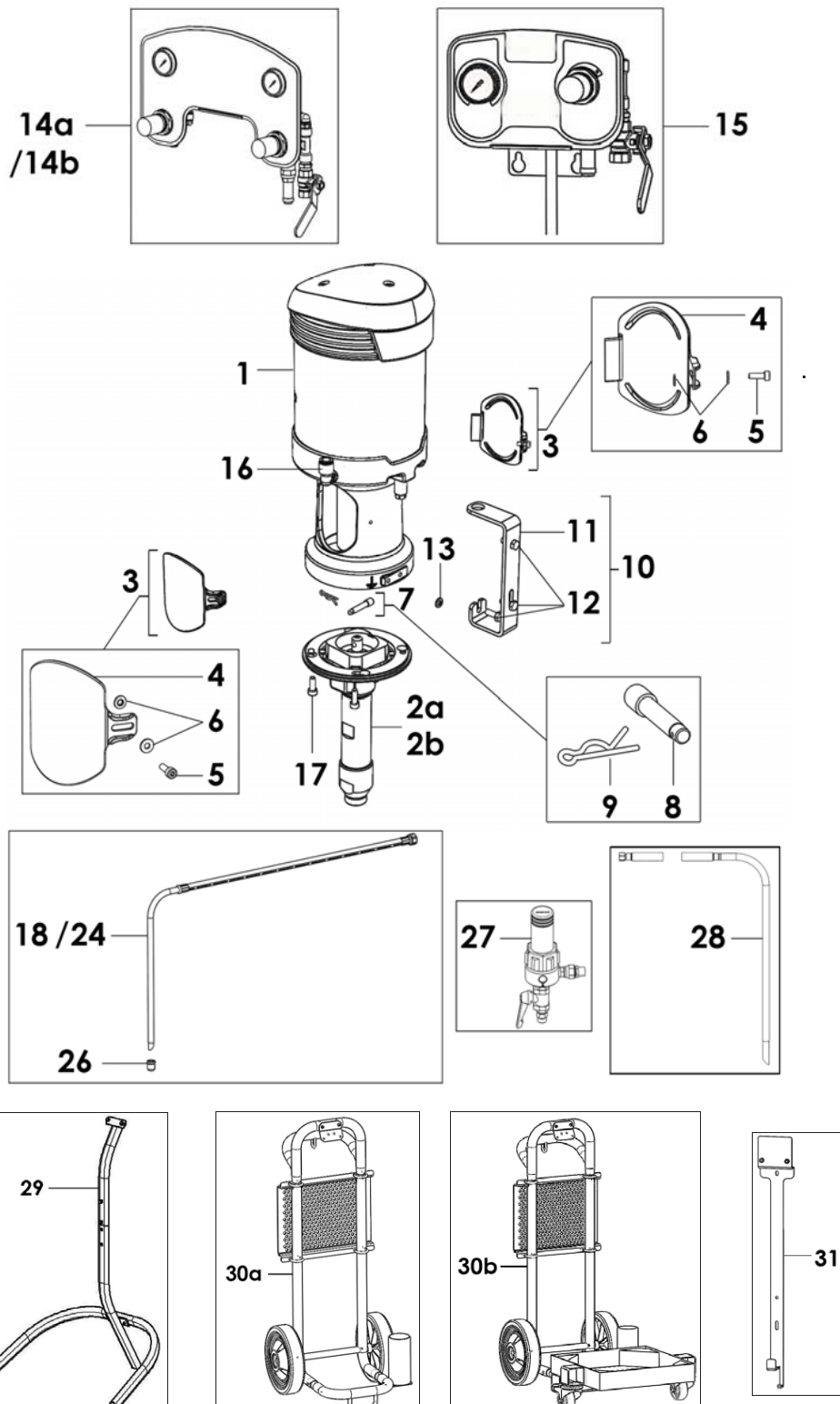


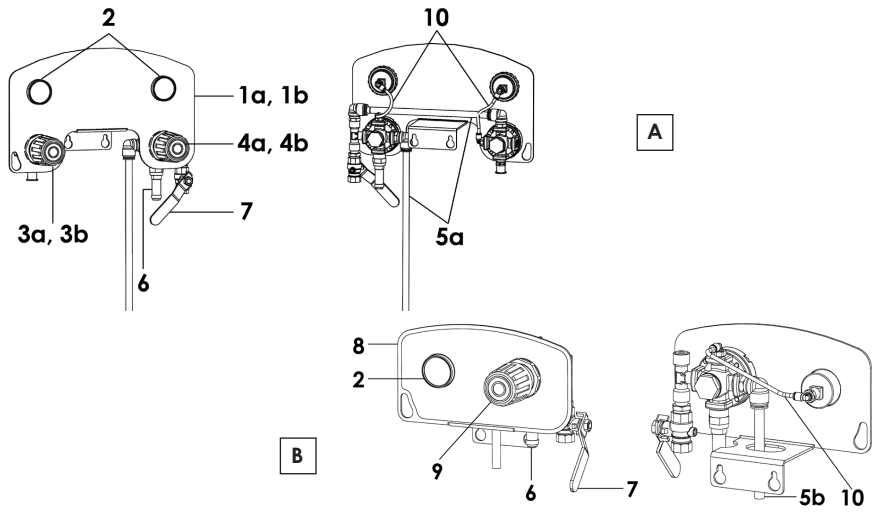


DESCRIPTION	PART NUMBER	QTY
AIRMIX® 15C50 PUMP - wall mount, without suction rod & fluid filter (material inlet F 1/2 G)	151-143-000	1
AIRMIX® 15C50 PUMP - wall mount, without suction rod & fluid filter (material inlet M 26x125)	151-143-050	1
AIRMIX® 15C50 PUMP - wall mount, without suction rod & fluid filter (material inlet F 1/2 G)	151-143-500	1



COMMON PARTS - PUMP		PART NUMBER	QTY
1	Air motor, model 420-4 (Airmix® 15C50)	NC/NS	1
*2a	Fluid section, model C50 (mat. inlet M 26x125)	144-135-250	1
*2b	Fluid section, model C50 (mat. inlet F 1/2 G)	144-135-200	1
*3	Coupling housing kit	144-130-013	1
4	• Coupling housing	NC/NS	2
5	• Screw	NC/NS	2
6	• Washer	NC/NS	4
*7	Coupling kit	144-130-019	1
8	• Axe	NC/NS	1
9	• Pin	NC/NS	2
*10	Pump bracket	144-130-022	1
11	• Pump bracket	NC/NS	1
12	• Screw, model H 6x16	NC/NS	3
13	• Washer, model AZ6	NC/NS	1
-	Nuts, screws & tie-rods kit	144-130-195	1
-	• Nut	-	4
-	• Screw	-	8
-	• Tie-rod, connecting	-	4
*14a	Air supply	NC/NS	1
*14b	Air supply	151-140-070	1
*15	Air supply	151-140-060	1
16	Elbow connector 1/4G - T 8x10	905-120-913	1
17	Screw, model Chc 6x16	NC/NS	1
18	Suction rod Ø 25	149-596-150	1
-	Airmix® wall mount pump, model 15C50	151-143-050	
27	Fluid filter, model Ø 3/8"	155-580-600	1
28	Drain rod, stainless steel	049-586-000	1
-	Air hose (Ø 24.6ft length - F 1/4 NPS)	050-382-114	1
-	Airmix® hose (Ø 24.6ft length - 120 bar / 1740 psi)	050-450-853	1
-	Airmix® hose (Ø 3/16" - 1/2 JIC / 19.7ft length / 240 bar / 3527 psi)	050-450-855	1
-	Protective hose sleeving	129-270-087	1
-	Xcite®+ gun - 120 bar / 1740 psi, without swivel fitting	135-720-120	1
-	Swivel fitting - 500 bar / 7250 psi	129-670-425	1
-	Hose (Ø 3/16" - 1/2 JIC / 2ft length / 240 bar / 3527 psi)	050-450-651	1
-	Hose (Ø 3/16" - 1/2 JIC / 5.25ft length / 240 bar / 3527 psi)	050-451-051	1
-	Explosion-proof heater	056-126-000	1
-	Tip	134-512-114	1
OPTIONAL PARTS	PART NUMBER	QTY	
24	Suction rod Ø 25 for drum, model 200L	149-596-160	1
26	Strainer Ø 25	149-596-152	1
-	Pack of 10 suction rods, model Ø 16, 23.6" length	149-596-059	1
-	Pack of 10 suction rods, model Ø 25, 23.6" length	149-596-159	1
29	Tripod	151-140-210	1
30a	Cart	151-241-000	1
30b	Cart	151-242-000	1
31	Totem	151-140-240	1
32	Gravity cup 6L / 1.6 US gal	151-140-230	1
-	Cup	NC/NS	1
-	U adapter	NC/NS	1
33	Screen, 18 Mesh (2pk)	151-890-399	1
ACCESSORIES	PART NUMBER	QTY	
-	T lubricant (125mL / 4.4oz)	149-990-020	1

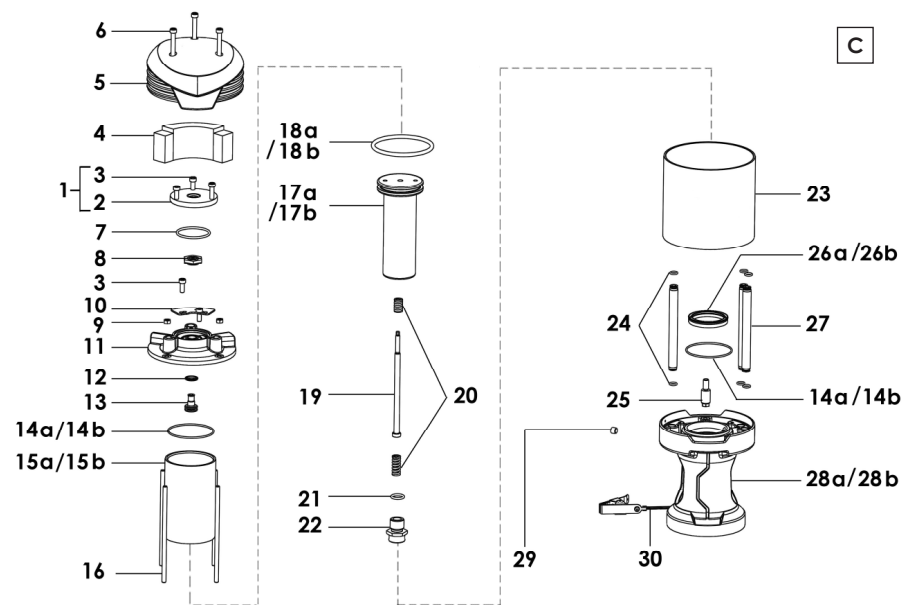
Air Supply Common Parts - See A & B



REF	DESCRIPTION	PART NUMBER	QTY
2	Gauge, model 0-6 bar / 0-87 psi	910-011-205	2
6	Discharge valve (6.5 bar / 94.27 psi)	903-080-401	1
7	Valve, model F 3/8	903-090-209	1
10	Hose, model 2.5x4	76 764	1
SPECIFIC PARTS		PART NUMBER	QTY
1a	Bracket, air supply	151-140-055	1
1b	Bracket, air supply	151-140-071	1
3a	Air regulator, model 1/4 (gun)	151-140-051	1
3b	Air regulator, model 1/4 (gun)	151-140-072	1
4a	Air regulator, model 1/4 (pump)	151-140-052	1
4b	Air regulator, model 1/4 (pump)	151-140-075	1
5a	Hose, model 8x10 (82ft)	050-372-125	1
5b	Hose, model 8x10 (328ft)	539-090-103	1
8a	Bracket, air supply	151-140-061	1
9	Air regulator, model 1/4	151-140-057	1

Air Motor Common Parts - See C

REF	DESCRIPTION	PART NUMBER	QTY
*1	Cover assembly	144-130-016	1
2	Cover	NC/NS	1
3	Screw, model CHc 6x25"	933-151-332	3
4	Muffler	144-130-011	1
*5	Cover	144-130-004	1
6	Screw, model CHc 6x45"	933-151-523	3
7	Seal O-ring	909-420-220	1
8	Valve	144-130-010	1
9	Nut, model HM6	953-010-016	4
10	Exhaust grid	144-130-024	1
*11	Reversing body	144-130-003	1
12	Seal	909-210-501	1
13	Seal holder	144-130-008	1
16	Tie-rod	144-130-012	4
19	Control rod assembly	144-130-006	1
*20	Spring (pack of 2)	144-130-194	1
21	Seal O-ring, model Ø 13	909-130-315	1
22	Coupling screw	144-130-020	1
23	Muffler	NC/NS	1
24	NBR seal (black)	000-940-120	6
25	Pin	144-130-023	1
27	Tube, connecting	144-130-014	3
29	Plug (pack of 5)	144-130-192	1
30	Cable, ground (Length: 16.5ft (5m))	901-180-024	1
SPECIFIC PARTS TO AIR MOTOR, MODEL 245-4		PART NUMBER	QTY
14a	Seal, cylinder	909-420-305	1
15a	Air cylinder	144-140-002	1
17a	Air piston	144-140-003	1
18a	Seal, model Ø 62 (air piston)	909-130-438	1
26a	U seal, model Ø 64	909-210-404	1
28a	Motor flange	144-140-001	1
SPECIFIC PARTS TO AIR MOTOR, MODEL 420-4		PART NUMBER	QTY
14b	Seal, cylinder	909-420-304	1
15b	Air cylinder	144-130-009	1
17b	Air piston	144-130-002	1
18b	Seal, model Ø 45 (air piston)	909-130-447	1
26b	U seal, model Ø 75	909-210-403	1
28b	Motor flange	144-130-001	1
*	Servicing kit - Motor 245-4	144-140-190	1
*	Servicing kit - Motor 420-4	144-130-190	1
*	Reversing kit	144-130-191	1



Fluid Section Common Parts - See D

REF	DESCRIPTION	PART NUMBER	QTY
6	Flange	NC/NS	1
*8	Cylinder kit	144-135-292	1
9	• Cylinder	144-135-202	1
10	• O-ring PTFE (x10)	150-040-343	2
*15	Piston assembly	NC/NS	1
*5	• Piston rod starter tool	144-135-299	
*16	• Piston	-	1
17	• Ball, model Ø 14 (420 C stainless steel)	87 014	1
18	• GT seal	909-150-214	1
19	• Carbide seat	144-135-210	1
*20	Exhaust valve kit	144-135-290	1
*22	Piston assembly and starter tool	144-135-209	1
23	Drain plug (x5)	144-130-193	1
24	Adaptor, stainless steel, double male, 1/2 NPT - 5 JIC (1/2 JIC)	050-102-616	1
SPECIFIC PARTS		PART NUMBER	QTY
*11a	Suction valve assembly, M 26x125	144-135-295	
*11b	Suction valve assembly, F 1/2 G	144-135-294	
12	Stop ring	144-135-208	
13	Ball Ø 20 (440 C stainless steel)	907-414-291	
14a	Pump foot M 26x125	144-135-220	
14b	Pump foot F 1/2 G	144-135-215	
21a	MB-A cartridge and piston kit	144-135-389	
21b	GT cartridge and piston kit	144-135-291	

NC/NS = Non Commercial /Not Serviceable Part | * = Suggested Spare Part

