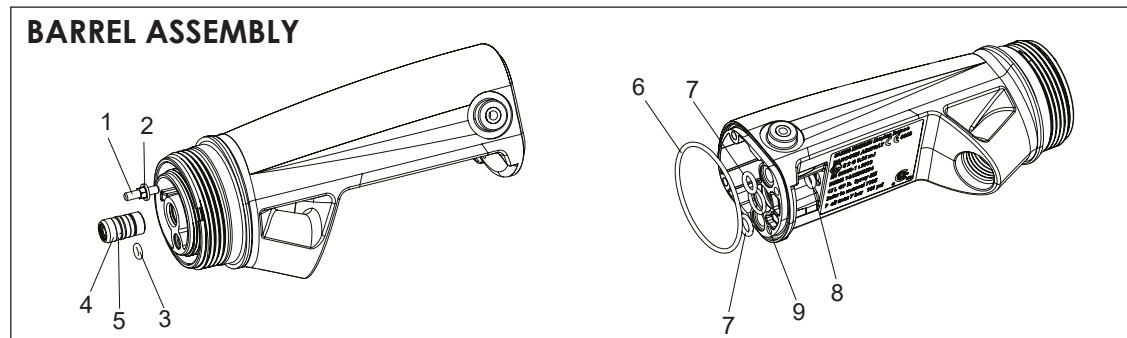
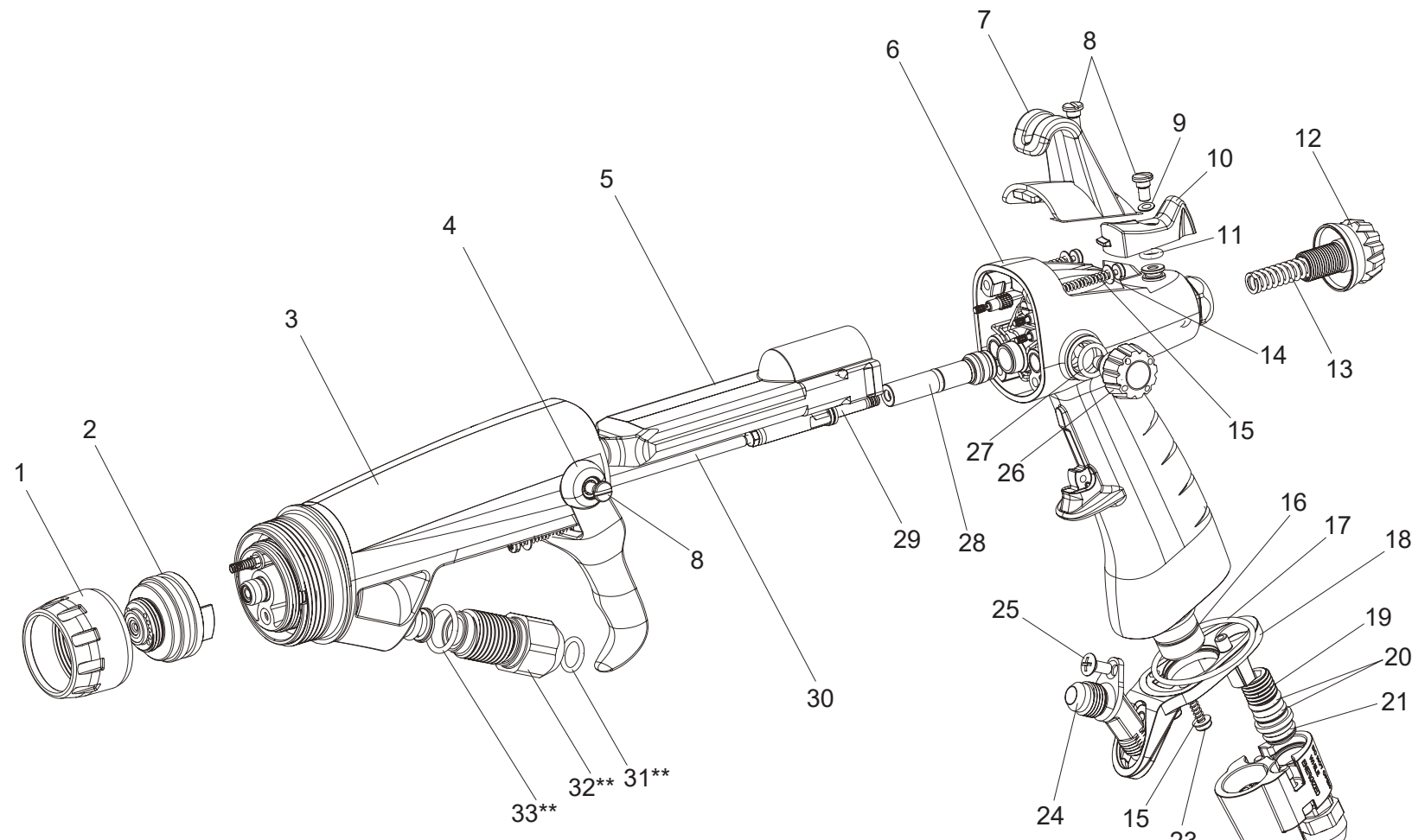


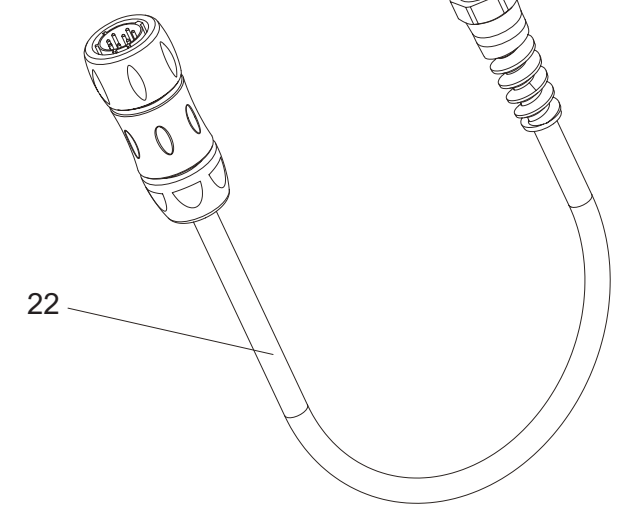
NANOGUN AIRSPRAY SPARE PARTS BREAKDOWN

NANOGUN Airspray Gun - All Versions

Item	Part Number	Description	Qty	Unit of Sale	Spare Part Level (*)
	-	NANOGUN Airspray gun	-	-	-
1	90000320	Nozzle nut	1	1	3
2	910015721	Nozzle support (see table page 2)	1	1	1
3	910018202	Equipped barrel (see table page 2)	1	1	3
4	900010237	Trigger	1	1	3
5	910015508	High voltage unit	1	1	3
6	910015944	NANOGUN Airspray equipped handle	1	1	3
7	900010239	Fixing hook	1	1	3
8	900010385	Shouldered C M4 screw	4	1	3
9	910018204	ON/OFF button with magnet and o-ring	1	1	3
10	J3STKL005	Chemically inert o-ring (included in item 10)	1	1	1
11	900010240	Paint flow button	1	1	3
12	900010265	116 psi (8 bar) paint spring	1	1	1
13	250000036	Screw securing handle/barrel	4	1	3
14	J4BRND039	Fiber seal for securing screw	6	1	3
15	160000041	O-ring chemically inert (included in item 6)	1	1	1
16	160000067	O-ring FKM red (included in item 6)	1	1	1
17	910018207	HR spray gun base, marked 101 psi (7 bar)	1	1	3
	910018210	LR spray gun base, marked 101 psi (7 bar)	1	1	3
18	910006118	Air nipple	1	1	2
19	J2FTCF018	O-ring FKM black (included in item 18)	2	1	1
20	J3STKL018	O-ring chemically inert grey (included in item 18)	1	1	1
21	910015869	Electropneumatic coupling sets (see table page 2)	1	1	3
22	250000037	Securing screw of handle base	2	1	3
23	900010605	55° elbow	1	1	3
24	X2BVKB118	Elbow securing screw	1	1	3
25	910014166	Lateral tape equipped	1	1	3
26	J2FTDF121	O-ring FKM black (included in item 25)	1	1	1
27	910018203	Air valve (see table page 2)	1	1	3
28	900010253	Needle rear stop	1	1	3
29	910018219	Needle (see table page 2)	1	1	1
30	J2FTDF121	O-ring FKM black (included in item 31)	1	1	1
31	910015931	Paint nut equipped	1	1	2
32	J2FTCF178	O-ring FKM black (included in item 31)	1	1	1

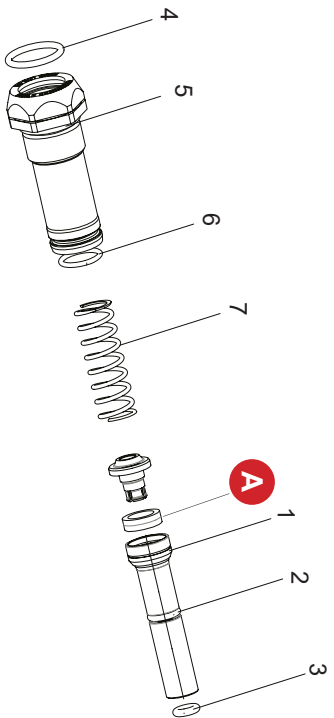


Item	Part Number	Description	Qty	Unit of Sale	Spare Part Level (*)
	910018202	Barrel assembly	1	1	3
1	1407354	HV contact	1	1	1
2	J2CRAN031	Sealing ring of contact	1	1	1
3	J3STKL002	O-ring, chemically inert	1	1	1
4	910014338	Seal cartridge	1	1	1
5	J3STKL005	O-ring, chemically inert (included in item 4)	1	1	1
6	J2FENV435	O-ring FEP viton	1	1	1
7	J3STKL078	O-ring, chemically inert	2	1	1
8	J3STKL032	O-ring, chemically inert	1	1	1
9	J3STKL019	O-ring, chemically inert	1	1	1



SPARE PART LEVEL (*)
 Level 1: Standard preventative maintenance
 Level 2: Corrective maintenance
 Level 3: Exceptional maintenance

LT 999-600-262 ©2023 Sames reserves the right to change without notice characteristics and services offered as well as equipment and attachments of these.



Get back the magnet **A** on the old air valve to keep the same values of triggering.



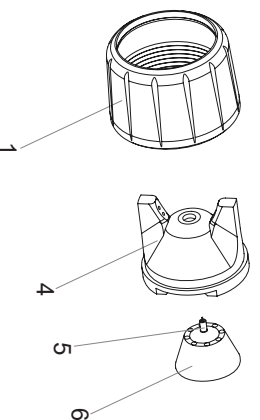
WARNING
In case of loss of the magnet, contact Sames.

AIR VALVE AND NUT AIR VALVE

Item	Part Number	Description	Qty	Unit of Sale	Spare Part Level (*)
	910018203	Air valve	1	1	3
1	900009024	Air spring	1	1	1
2	900010256	Sealing ring	1	1	1
3	J3STKL005	O-ring, chemically inert (outer of valve)	1	1	1
4	J3STKL032	O-ring, chemically inert (inner of valve)	1	1	1
	910015922	Nut air valve equipped	1	1	3
5	J2FTDF155	O-ring, FKM block	1	1	1
6	J2FTDF160	O-ring, FKM block	1	1	1
9	J3STKL019	O-ring, chemically inert	1	1	1

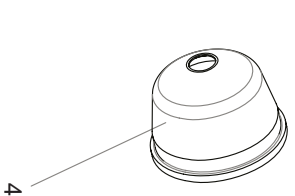
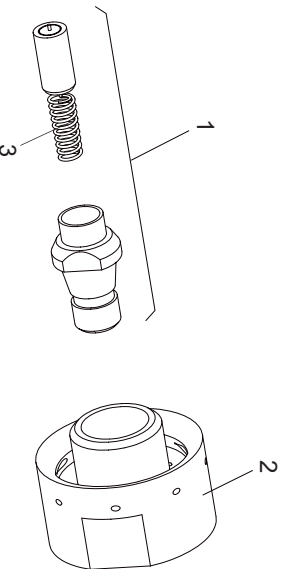
FAN SPRAY ASSEMBLY

Item	Part Number	Description	Qty	Unit of Sale	Spare Part Level (*)
	910016710	Nanogun Aispray JP LP HR Fan spray	1	1	-
	-	Nanogun Aispray gun	-	-	-
1	910015921	Air cap ring	1	1	3
4	900009014	High efficiency air cap	1	1	1
5	446028	Electrode	1	5	1
6	1406402	SP nozzle assembly	1	1	1



ROUND NOZZLE ASSEMBLIES - LP MODELS

Item	Part Number	Description	Qty	Unit of Sale	Spare Part Level (*)
	910018322	JR06 Nozzle assembly	1	1	1
1	455234	Injector - Calibre 6	1	5	1
2	1305211	Vortex Nozzle	1	1	1
3	448110	Electrode (included in item 1)	1	10	1
4	900011365	SSV air cap 6	1	1	1
	910003847	JR08 Nozzle assembly	1	1	1
1	455235	Injector - Calibre 8	1	5	1
2	1305211	Vortex Nozzle	1	1	1
3	448110	Electrode (included in item 1)	1	10	1
4	900010503	SSV air cap 8	1	1	1
	910003920	JR12 Nozzle assembly	1	1	1
1	455236	Injector - Calibre 12	1	5	1
2	1305211	Vortex Nozzle	1	1	1
3	448110	Electrode (included in item 1)	1	10	1
4	900010504	SSV air cap 12	1	1	1

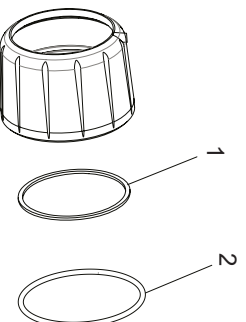


NOZZLE SUPPORT

Item	Part Number	Description	Qty	Unit of Sale	Spare Part Level (*)
	910015721	Nozzle support - LP Models	1	1	1
1	J2FENV094	O-ring (FEP Viton)	1	1	1

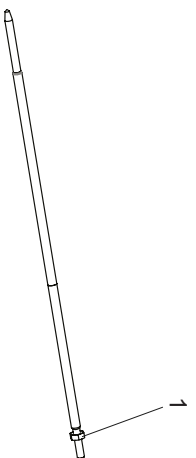
AIR CAP RING

Item	Part Number	Description	Qty	Unit of Sale	Spare Part Level (*)
	910015921	Air cap ring	1	1	3
1	900010497	Slide ring	1	1	3
2	J2FENV445	O-ring FEP/FKM	1	1	1



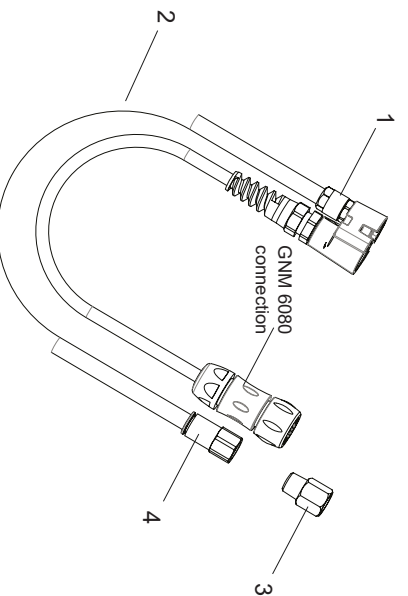
NEEDLE ASSEMBLY

Item	Part Number	Description	Qty	Unit of Sale	Spare Part Level (*)
	910018219	Needle assembly	1	1	3
1	X4KEHU003	H M3 U nut	1	1	3



ELECTROPNEUMATIC COUPLING SETS

Item	Part Number	Description	Qty	Unit of Sale	Spare Part Level (*)
	910015869-10	HR-LR 10m Electropneumatic coupling	1	1	
	910003619-20	HR-LR 20m Electropneumatic coupling	1	1	
1	F6RLUF171	Straight union - male	1	1	3
2	130000527	Straight union - female	1	1	3
3	F6RLHG362	Female NPT / Male BSP adapter	1	1	3
4	U1GLBT133	Polyurethane hose - Ext. D: 10 blue	10 m	m	1
			20 m	m	



SPARE PART LEVEL (*)

- Level 1 : Standard preventative maintenance
- Level 2: Corrective maintenance
- Level 3: Exceptional maintenance