

# SFLOW™ 275 & 470 AIRLESS® GUNS

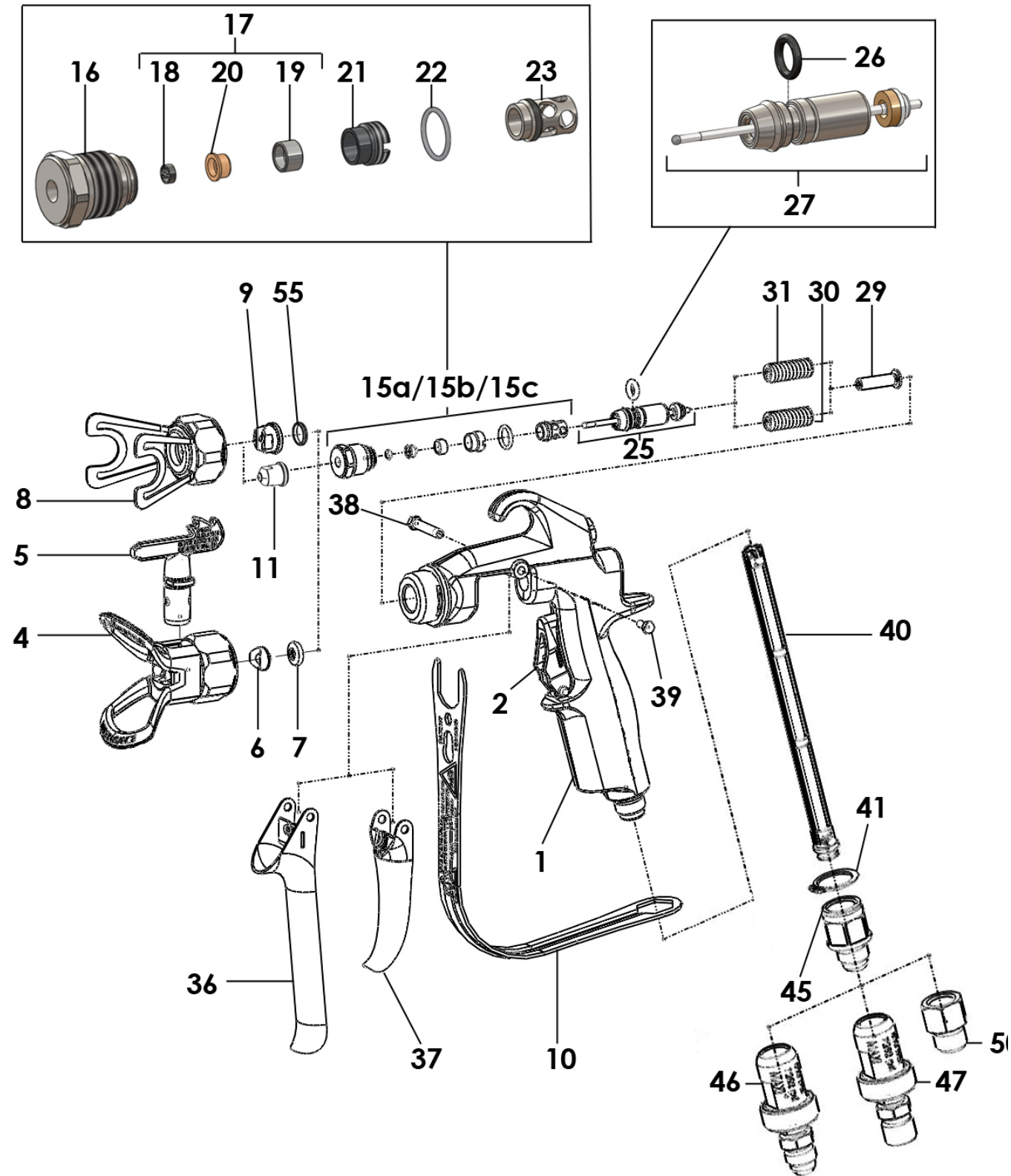
## SPARE PARTS



### SFLOW™ 275 & 470 SPRAY GUNS - ALL VERSIONS

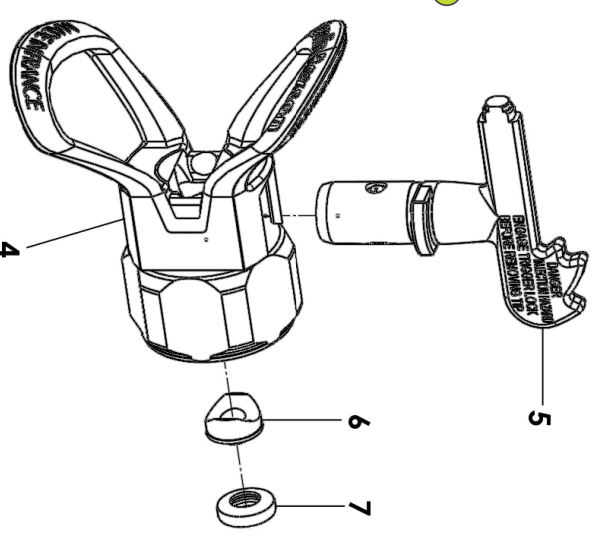
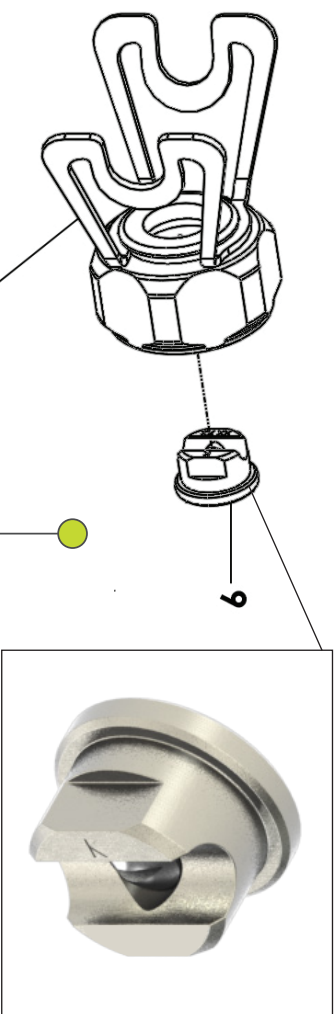
Item	Part Number	Description	Spare Part Level (*)
		SFLOW™ 275 OR 470 SPRAY GUN	
1	NC / NS	Gun body with stainless steel insert	1
2*	129740906	Safety lever with pin	3
4	-	Airless® base for reversing tip	2
5+6+7	-	Reversing Airless® tip + seat + seal tip	1
8	-	Airless® base for flat tip	1
9	-	Airless® tip	1
10	129740020	Trigger protection	3
15*	129740040	Seat holder assembly	3
16	NC / NS	Seat holder	1
17*	129740908	Seat with PEEK seal (x2)	3
18	NC / NS	Helicoils	3
19	NC / NS	Seat	2
20	NC / NS	PEEK seal (x2)	3
21	029600106	Screw	1
22*	150040341	O-ring (x10)	1
23	129740045	Cartridge stop (x5)	1
25*	129740050	Cartridge-needle assembly	3
26*	109420298	Seal cartridge, FKM (x10)	3
27	NC / NS	Cartridge and needle	3
28	NC / NS	Rod needle	3
29	129740022	Stroke-end stop (x5)	3
30	129740904	Grey spring (x5)	1
31	129740905	Red spring (x5)	1
*-	129740903	Spindle, trigger + screw (5 pk)	1
36	129740007	Trigger, 4-finger	1
37	129740006	Trigger, 2-finger	1
38	NC / NS	Spindle, trigger	1
39	NC / NS	Screw	1
40*	129740183	Airless® filter (100 mesh/140 µ) PA (x4)	2
41	102202116	Ring Ø 17 (x5)	1
45	129740021	Handle fitting, model 1/2 JIC	1
46	129670405	Swivel fitting, model F 1/2 JIC - M 1/2 JIC	3
47	129670415	Swivel fitting, model F 1/2 JIC - M 1/4 NPSM	3
50	050123304	Handle fitting, model F 1/2 JIC - M 1/4 NPSM	3

**SPARE PARTS LEVEL:**  
 Level 1: Std preventative maintenance | Level 2: Corrective maintenance | Level 3: Exceptional maintenance



REVERSIBLE TIP TOP TIPS

Item	Part Number	Description	Qty	Unit of Sale	Spare Part Level (*)
4	132740200	Airless® base for reversing tip	1	1	1
5+6+7	00040XXXX	Reversing Airless® tip + seat + seal tip	1	1	1
7*	134740007	Reversing seal tip (x10)	1	1	1
*	129740907	Servicing kit: seat + seal tip	1	1	1

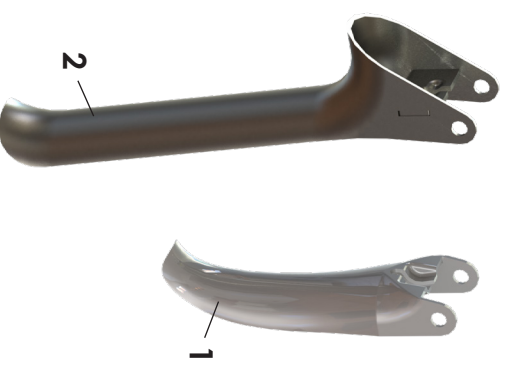


FLAT TIPS

Item	Part Number	Description	Qty	Unit of Sale	Spare Part Level (*)
8	132740100	Airless® base for flat tip	1	1	1
9	00000XXXX	Flat Airless® tip	1	1	1

HANDLE / SWIVEL FITTINGS

Item	Part Number	Description	Qty	Unit of Sale	Spare Part Level (*)
not pictured (NP)	129670405	Swivel fitting, model F 1/2 JIC - M 1/2 JIC / F 1/2 JIC - M 1/2 JIC	1	1	1
NP	129670415	Swivel fitting, model F 1/2 JIC - M 1/4 NPSM / F 1/2 JIC - M 1/4 NPSM	1	1	1
NP	050123304	Handle fitting, model F 1/2 JIC - M 1/4 NPSM / F 1/2 JIC - M 1/4 NPSM	1	1	1



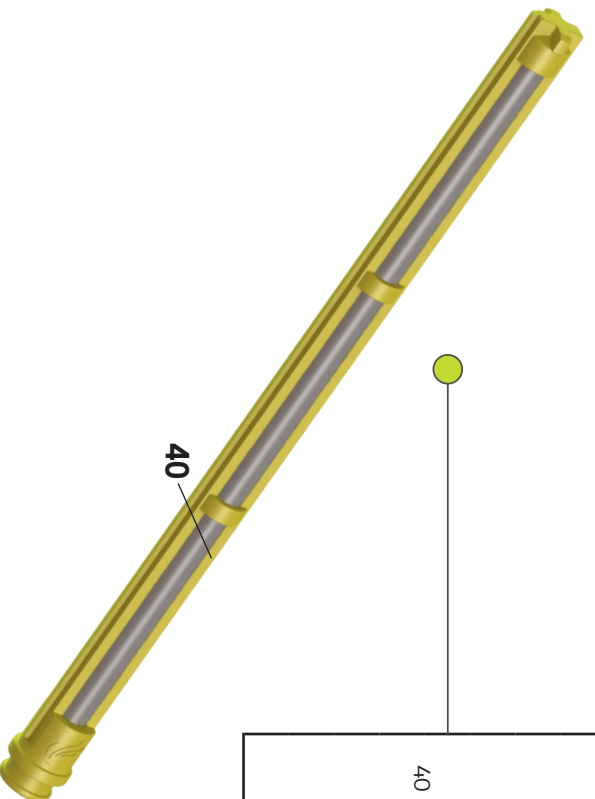
MAINTENANCE KITS

Item	Part Number	Description	Qty	Unit of Sale	Spare Part Level (*)
NP	129740901	Maintenance kit for SFLOW™ 275 (needle and spring)	1	1	1
NP	129740902	Maintenance kit for SFLOW™ 450 (needle and spring)	1	1	1
NP	150040341	Seal kit - O-ring (x10)	1	1	1
NP	109420298	Seal kit - cartridge (x10)	1	1	1
NP	050123304	F 1/2" JIC - M 1/4" NPSM fitting for SFLOW™ gun	1	1	1

Item	Part Number	Description	Qty	Unit of Sale	Spare Part Level (*)
1	129740006	2-finger trigger	1	1	1
2	129740007	4-finger trigger	1	1	1

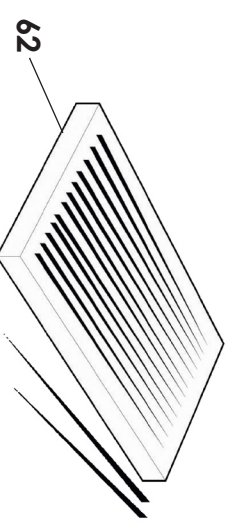
GUN FILTER

Item	Part Number	Description	Qty	Color	Bus Tip
40	129740081	Stainless steel - 200 mesh / 74 µm	1	Red	04-XX □ 06-XX
	129740181	PA - 200 mesh / 74 µm	1	Red	04-XX □ 06-XX
	129740082	Stainless steel - 150 mesh / 100 µm	1	Blue	06-XX □ 12-XX
	129740182	PA - 150 mesh / 100 µm	1	Blue	06-XX □ 12-XX
	129740083	Stainless steel - 100 mesh / 149 µm	1	Yellow	12-XX □ 18-XX
	129740183	PA - 100 mesh / 149 µm	1	Yellow	12-XX □ 18-XX
40	129740084	Stainless steel - 50 mesh / 300 µm	1	White	18-XX □ 100-XX
	129740184	PA - 50 mesh / 300 µm	1	White	18-XX □ 100-XX



ACCESSORIES

Item	Part Number	Description	Qty	Unit of Sale	Spare Part Level (*)
60	049030042	Gun wrench	1	1	1
61	906300101	Large size brush	1	1	1
62	000094000 000094002	Undlogging needles (x12) for tips: size 06 to 09 size > 09	1	1	1



SPARE PART LEVEL:

Level 1: Std preventative maintenance | Level 2: Corrective maintenance | Level 3: Exceptional maintenance