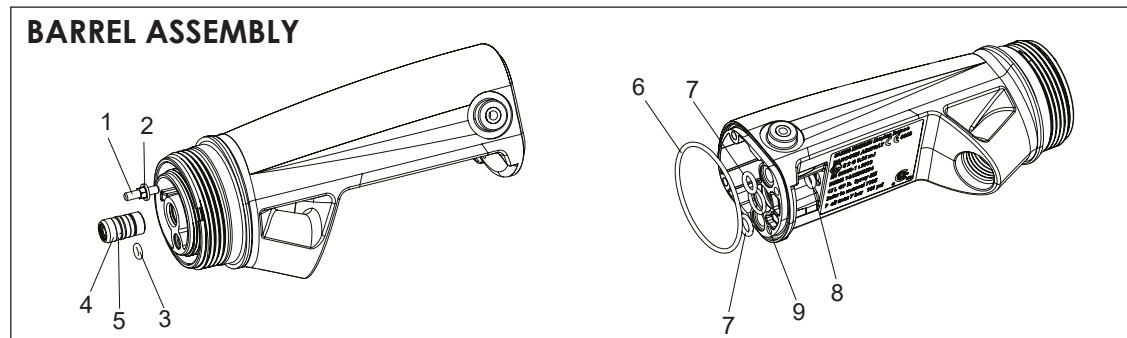
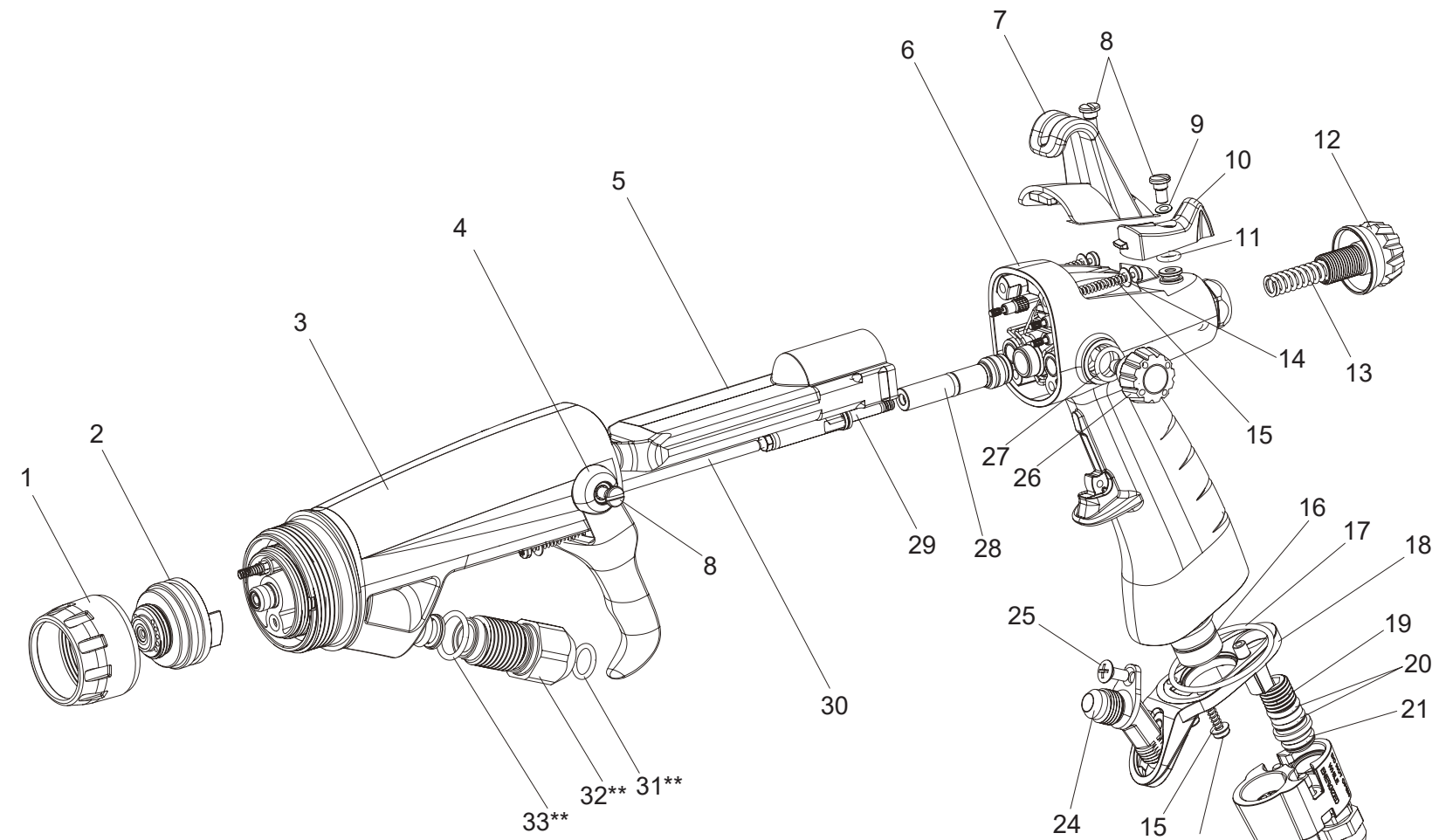


NANOGUN AIRSPRAY PARTS BREAKDOWN

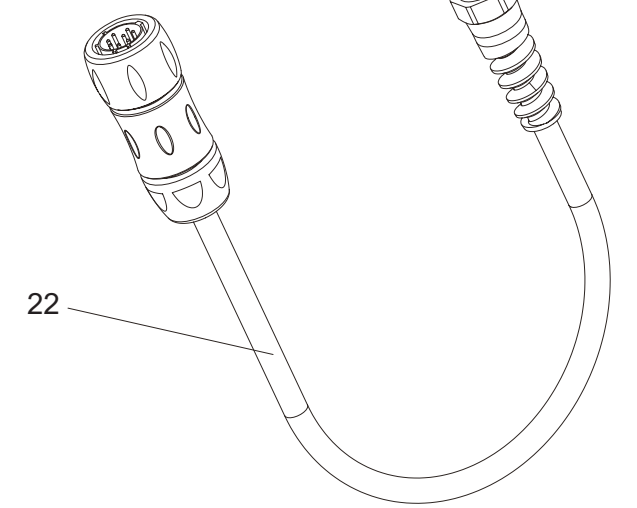


NANOGUN Airspray Gun - All Versions

Item	Part Number	Description	Qty	Unit of Sale	Spare Part Level (*)
	-	NANOGUN Airspray gun	-	-	-
1	90000320	Nozzle nut	1	1	3
2	910015721	Nozzle support (see table page 2)	1	1	1
3	910018202	Equipped barrel (see table page 2)	1	1	3
4	900010237	Trigger	1	1	3
5	910015508	High voltage unit	1	1	3
6	910015944	NANOGUN Airspray equipped handle	1	1	3
7	900010239	Fixing hook	1	1	3
8	900010385	Shouldered C M4 screw	4	1	3
9	910018204	ON/OFF button with magnet and o-ring	1	1	3
10	J3STKL005	Chemically inert o-ring (included in item 10)	1	1	1
11	900010240	Paint flow button	1	1	3
12	900010265	116 psi (8 bar) paint spring	1	1	1
13	250000036	Screw securing handle/barrel	4	1	3
14	J4BRND039	Fiber seal for securing screw	6	1	3
15	160000041	O-ring chemically inert (included in item 6)	1	1	1
16	160000067	O-ring FKM red (included in item 6)	1	1	1
17	910018207	HR spray gun base, marked 101 psi (7 bar)	1	1	3
	910018210	LR spray gun base, marked 101 psi (7 bar)	1	1	3
18	910006118	Air nipple	1	1	2
19	J2FTCF018	O-ring FKM black (included in item 18)	2	1	1
20	J3STKL018	O-ring chemically inert grey (included in item 18)	1	1	1
21	910015869	Electropneumatic coupling sets (see table page 2)	1	1	3
22	250000037	Securing screw of handle base	2	1	3
23	900010605	55° elbow	1	1	3
24	X2BVKB118	Elbow securing screw	1	1	3
25	910014166	Lateral tape equipped	1	1	3
26	J2FTDF121	O-ring FKM black (included in item 25)	1	1	1
27	910018203	Air valve (see table page 2)	1	1	3
28	900010253	Needle rear stop	1	1	3
29	910018219	Needle (see table page 2)	1	1	1
30	J2FTDF121	O-ring FKM black (included in item 31)	1	1	1
31	910015931	Paint nut equipped	1	1	2
32	J2FTCF178	O-ring FKM black (included in item 31)	1	1	1



Item	Part Number	Description	Qty	Unit of Sale	Spare Part Level (*)
	910018202	Barrel assembly	1	1	3
1	1407354	HV contact	1	1	1
2	J2CRAN031	Sealing ring of contact	1	1	1
3	J3STKL002	O-ring, chemically inert	1	1	1
4	910014338	Seal cartridge	1	1	1
5	J3STKL005	O-ring, chemically inert (included in item 4)	1	1	1
6	J2FENV435	O-ring FEP viton	1	1	1
7	J3STKL078	O-ring, chemically inert	2	1	1
8	J3STKL032	O-ring, chemically inert	1	1	1
9	J3STKL019	O-ring, chemically inert	1	1	1



SPARE PART LEVEL (*)
 Level 1: Standard preventative maintenance
 Level 2: Corrective maintenance
 Level 3: Exceptional maintenance

LT 999-600-262 ©2021 SAMES KREMLIN Inc. reserves the right to change without notice characteristics and services offered as well as equipment and attachments of these.

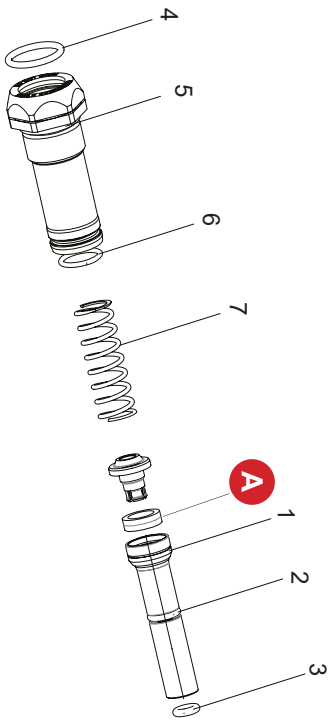
SAMES KREMLIN Inc.

North America Headquarters 45001 5 Mile Rd. | Plymouth, MI 48170

Toll: (800)573-5554 | Tel: (734)979-0100 | Fax: (734)927-0064

Canada Branch 931 Progress Ave, Unit 7 | Scarborough, ON M1G

3V5Toll: (800)450-0655 | Tel: (416)431-5017 | Fax: (416)431-9171



Get back the magnet **A** on the old air valve to keep the same values of triggering.



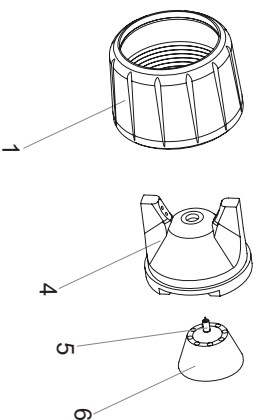
WARNING In case of loss of the magnet, contact **SAMES KREMLIN**.

AIR VALVE AND NUT AIR VALVE

Item	Part Number	Description	Qty	Unit of Sale	Spare Part Level (*)
	910018203	Air valve	1	1	3
1	900009024	Air spring	1	1	1
2	900010256	Sealing ring	1	1	1
3	J3STKL005	O-ring, chemically inert (outer of valve)	1	1	1
4	J3STKL032	O-ring, chemically inert (inner of valve)	1	1	1
	910015922	Nut air valve equipped	1	1	3
5	J2FTDF155	O-ring, FKM block	1	1	1
6	J2FTDF160	O-ring, FKM block	1	1	1
9	J3STKL019	O-ring, chemically inert	1	1	1

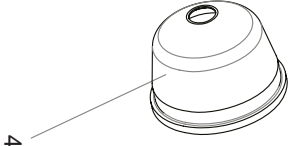
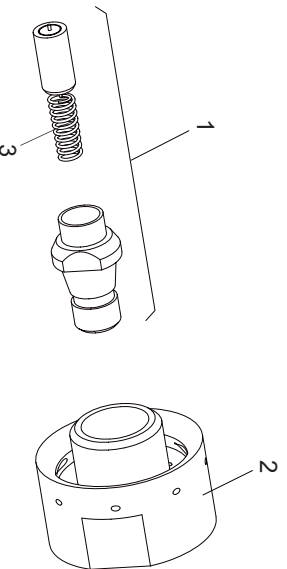
FAN SPRAY ASSEMBLY

Item	Part Number	Description	Qty	Unit of Sale	Spare Part Level (*)
	910016710	Nanogun Aispray JP LP HR Fan spray	1	1	-
	-	Nanogun Aispray gun	-	-	-
1	910015921	Air cap ring	1	1	3
4	900009014	High efficiency air cap	1	1	1
5	446028	Electrode	1	5	1
6	1406402	SP nozzle assembly	1	1	1



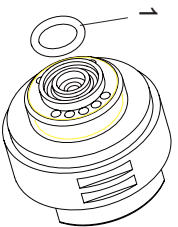
ROUND NOZZLE ASSEMBLIES - LP MODELS

Item	Part Number	Description	Qty	Unit of Sale	Spare Part Level (*)
	910018322	JR06 Nozzle assembly	1	1	1
1	455234	Injector - Calibre 6	1	5	1
2	1305211	Vortex Nozzle	1	1	1
3	448110	Electrode (included in item 1)	1	10	1
4	900011365	SSV air cap 6	1	1	1
	910003847	JR08 Nozzle assembly	1	1	1
1	455235	Injector - Calibre 8	1	5	1
2	1305211	Vortex Nozzle	1	1	1
3	448110	Electrode (included in item 1)	1	10	1
4	900010503	SSV air cap 8	1	1	1
	910003920	JR12 Nozzle assembly	1	1	1
1	455236	Injector - Calibre 12	1	5	1
2	1305211	Vortex Nozzle	1	1	1
3	448110	Electrode (included in item 1)	1	10	1
4	900010504	SSV air cap 12	1	1	1



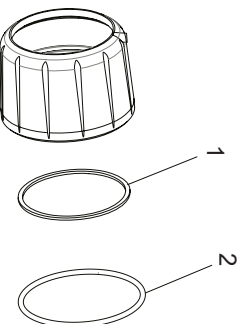
NOZZLE SUPPORT

Item	Part Number	Description	Qty	Unit of Sale	Spare Part Level (*)
	910015721	Nozzle support - LP Models	1	1	1
1	J2FENV094	O-ring (FEP Viton)	1	1	1



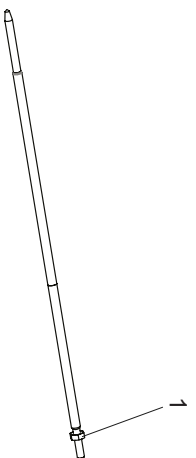
AIR CAP RING

Item	Part Number	Description	Qty	Unit of Sale	Spare Part Level (*)
	910015921	Air cap ring	1	1	3
1	900010497	Slide ring	1	1	3
2	J2FENV445	O-ring FEP/FKM	1	1	1



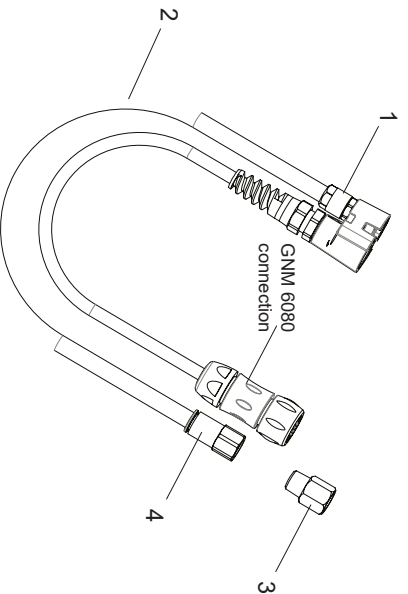
NEEDLE ASSEMBLY

Item	Part Number	Description	Qty	Unit of Sale	Spare Part Level (*)
	910018219	Needle assembly	1	1	3
1	X4KEHU003	H M3 U nut	1	1	3



ELECTROPNEUMATIC COUPLING SETS

Item	Part Number	Description	Qty	Unit of Sale	Spare Part Level (*)
	910015869-10	HR-LR 10m Electropneumatic coupling	1	1	-
	910003619-20	HR-LR 20m Electropneumatic coupling	1	1	-
1	F6RLUF171	Straight union - male	1	1	3
2	130000527	Straight union - female	1	1	3
3	F6RLHG362	Female NPT / Male BSP adapter	1	1	3
4	U1GLBT133	Polyurethane hose - Ext. D: 10 blue	10 m	m	1
			20 m	m	



SPARE PART LEVEL (*)

Level 1: Standard preventative maintenance
Level 2: Corrective maintenance
Level 3: Exceptional maintenance